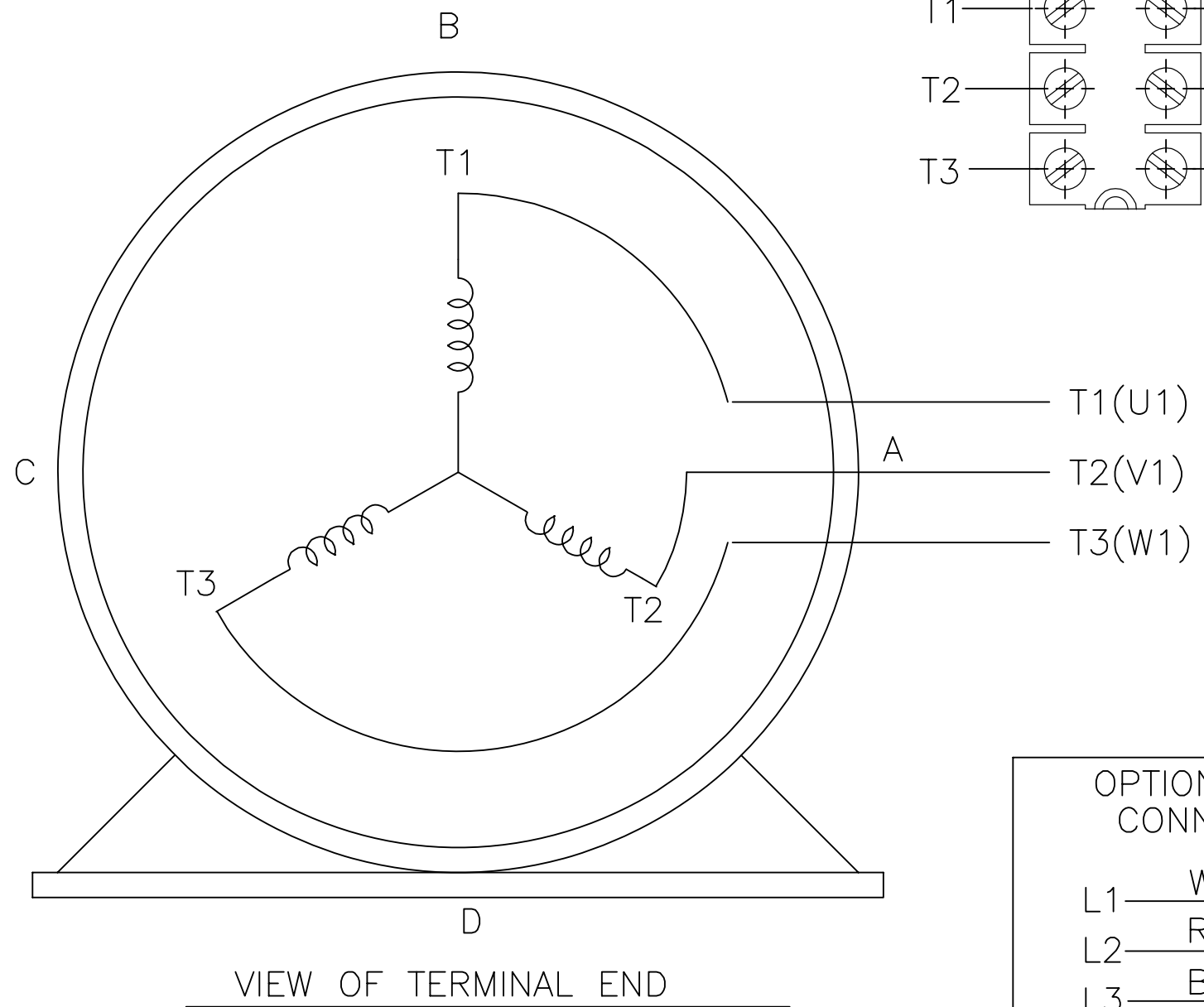
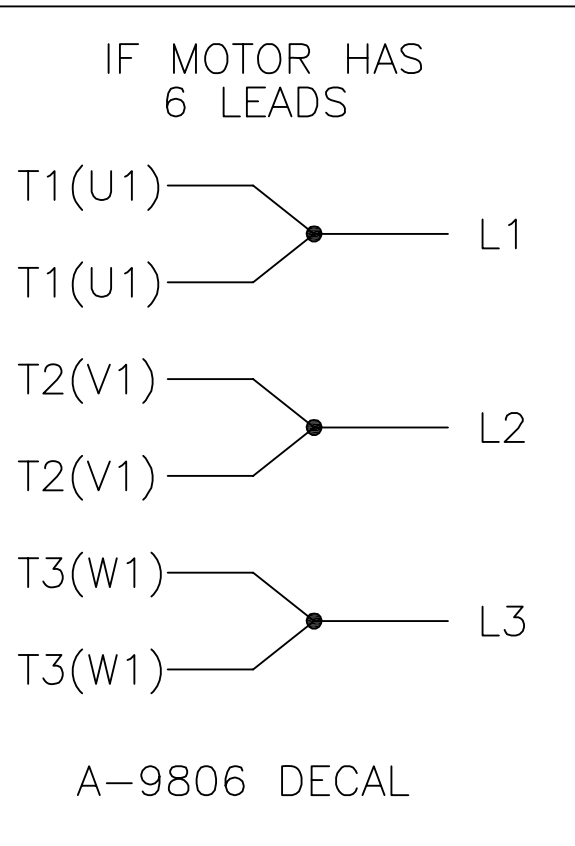
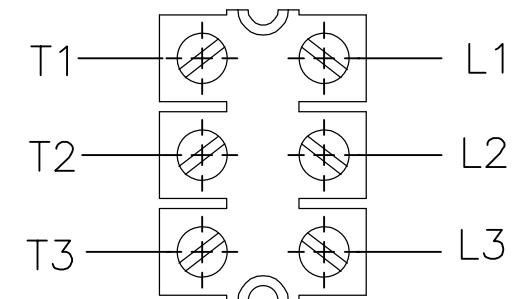


EE7300-REGAL

THREE PHASE - SINGLE VOLTAGE
MOTOR - CONDUIT BOX @ 'A'


TO REVERSE ROTATION:
INTERCHANGE ANY TWO LINE
LEAD CONNECTIONS

TERMINAL BLOCK WHEN SPECIFIED



OPTIONAL CORD
CONNECTION

L1 _____ WHITE
L2 _____ RED
L3 _____ BLACK

				TOLERANCES UNLESS SPECIFIED		 Regal Beloit America, Inc.		DRAWN JAH 12/02/14	
				DEC.	INCHES			CHK VS 12/02/14	
				.X	±.1			APPD	
				.XX	±.02	TITLE CONNECTION DIAGRAM		SCALE 1=1	
				.XXX	±.005	SINGLE VOLT - 3φ MOTOR		REF	
1	CREATED NEW DRAWING	JAH	12/02/14	VS	.XXXX	±.0005	MAT'L.	FMF	
NO.	REVISION	BY & DATE	CHK	ANG	±7'30"	FINISH	PREV		
THIS DRAWING IN DESIGN AND DETAIL IS OUR PROPERTY AND MUST NOT BE USED EXCEPT IN CONNECTION WITH OUR WORK ALL RIGHTS OF DESIGN AND INVENTION ARE RESERVED THIS IS AN ELECTRONICALLY GENERATED DOCUMENT - DO NOT SCALE THIS PRINT				RFP	CAD FILE EE7300-REGAL			SIZE	DRAWING NO. PAGE OF REV.
				DIST				A	EE7300-REGAL 1