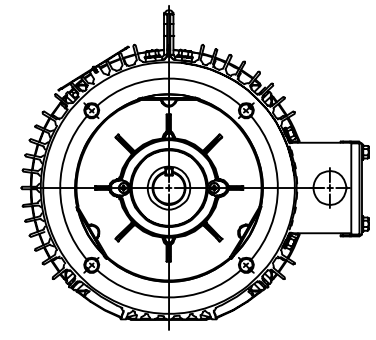
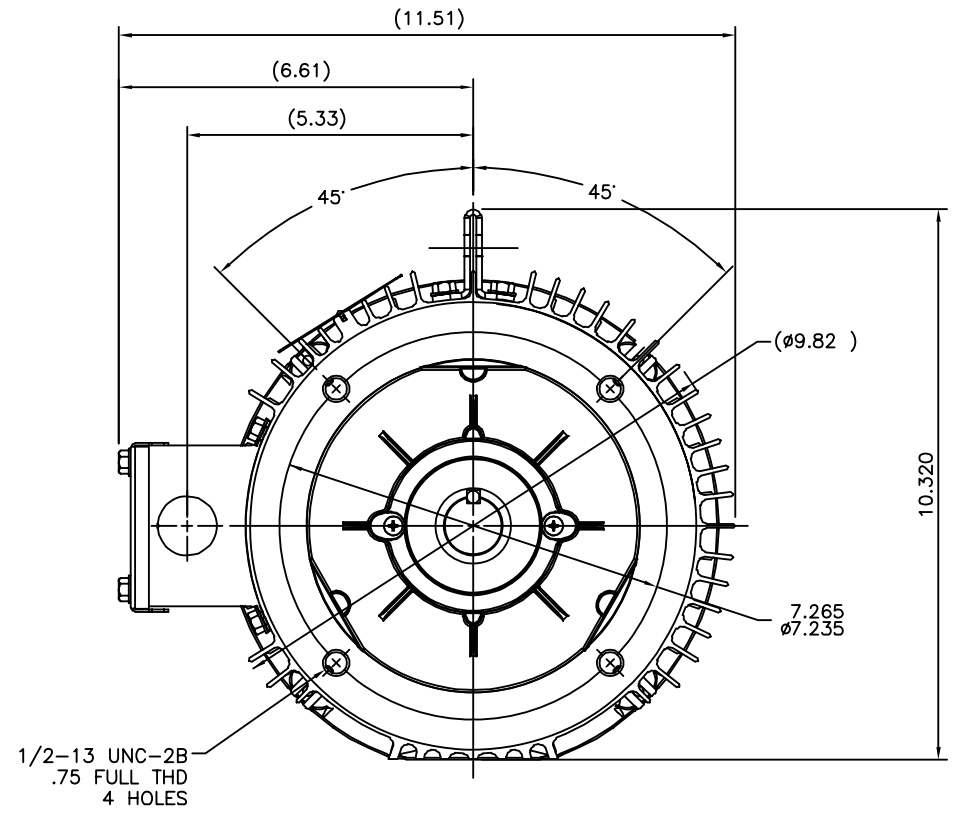
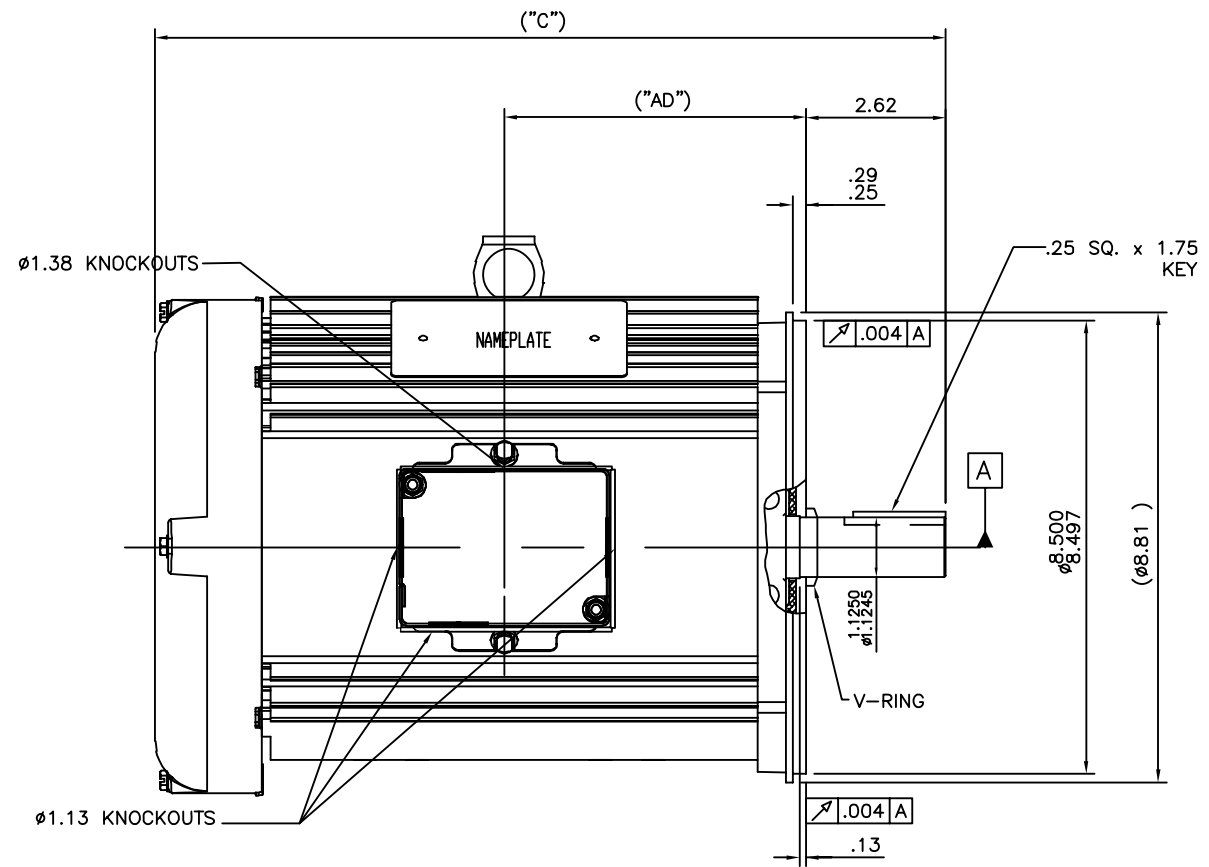


036120LN



F2 VIEW

DASH NO	"C"	"AD"
950	14.96	5.65
1100	16.46	7.15

NO.		REVISION		BY & DATE		TOLERANCES UNLESS SPECIFIED			DRAWN PVR 02/06/15	
NO.	REV.	BY	DATE	CHK	ANG	DEC.	INCHES		CHK	ST
						.X	±.1			
						.XX	±.03	TITLE	182/184T-TEFC-C FACE	SCALE 3=8
						.XXX	±.005		OUTLINE	REF 035850LN
						.XXXX	±.0005	MAT'L.		FMF
							±1/2'	FINISH		PREV
THIS DRAWING IN DESIGN AND DETAIL IS OUR PROPERTY AND MUST NOT BE USED EXCEPT IN CONNECTION WITH OUR WORK ALL RIGHTS OF DESIGN AND INVENTION ARE RESERVED THIS IS AN ELECTRONICALLY GENERATED DOCUMENT - DO NOT SCALE THIS PRINT						RFP		CAD FILE	036120LN	SIZE B
						DIST				DRAWING NO. 036120LN
										REV.