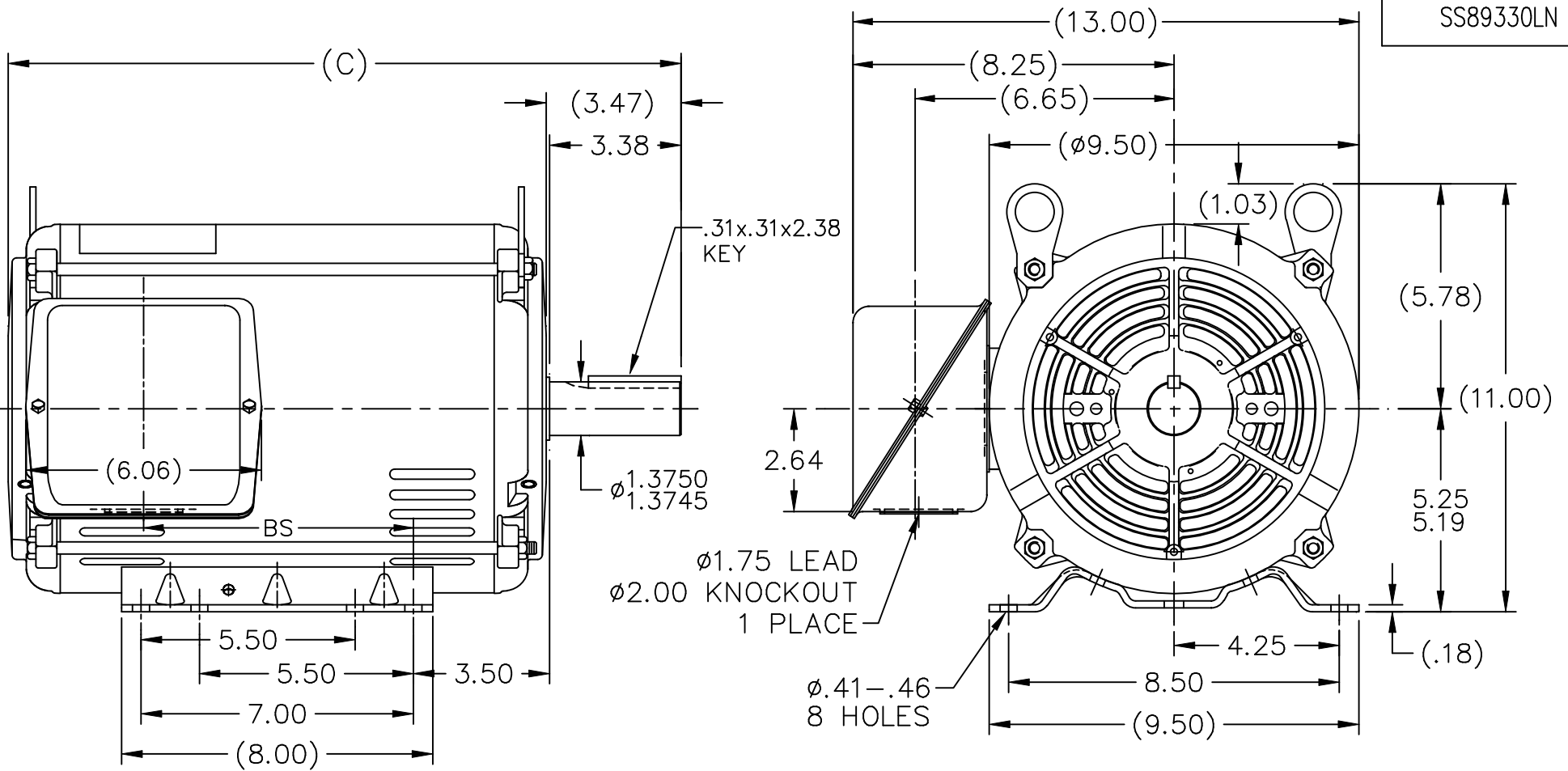


SS89330LN



NOTES:

1. NAMEPLATE TO BE READ FROM C'BOX SIDE OF MOTOR.
2. BOX CAN BE MOUNTED IN 90° STEPS.
3. BOX WILL BE AT OPPOSITE SIDES IN F2 MOUNTING.
4. BOX CAN BE MOUNTED ON OPPOSITE SIDE BY REMOVING BRACKETS AND TURNING FRAME 180°. (EXCEPT AS NOTED.)

DASH	FR.	C	BS	MOUNTING
965	213T	15.79	5.43	
1115	213/15T	17.29	6.93	
1240	213/15T	18.54	8.18	F1 ONLY

				TOLERANCES UNLESS SPECIFIED		Lincoln MOTORS	DRAWN RJW 08-07-2006		
				DEC.	INCHES		CHK	ML 08-07-2006	
				.X	±.1	TITLE OUTLINE 210T FRAME -BB -TS -DR.PR.	APPD	DR 08-08-2006	
				.XX	±.03		SCALE	1=4	
				.XXX	±.005		REF		
				.XXXX	±.0005		MAT'L.	FMF MU74280	
				ANG	±7'30"		FINISH	PREV	
NO.	REVISION	BY & DATE	CHK	ANG	FINISH	SIZE	DRAWING NO.	PAGE 1 OF 1	REV.
			RFP	08-08-2006	CAD FILE	A	SS89330LN		
							SS89330LN		

THIS DRAWING IN DESIGN AND DETAIL IS OUR PROPERTY AND MUST NOT BE USED EXCEPT IN CONNECTION WITH OUR WORK ALL RIGHTS OF DESIGN AND INVENTION ARE RESERVED THIS IS AN ELECTRONICALLY GENERATED DOCUMENT - DO NOT SCALE THIS PRINT