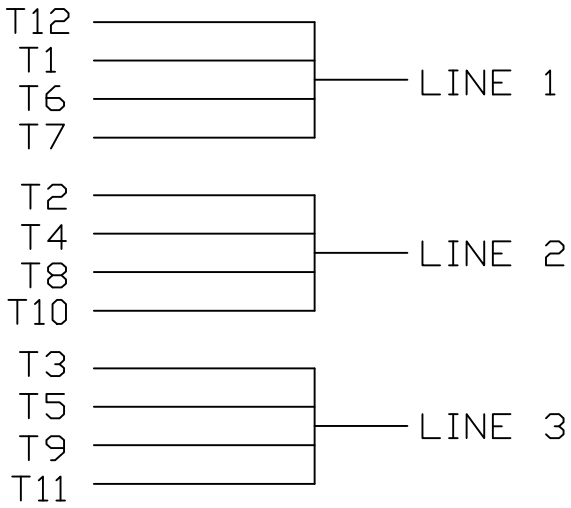
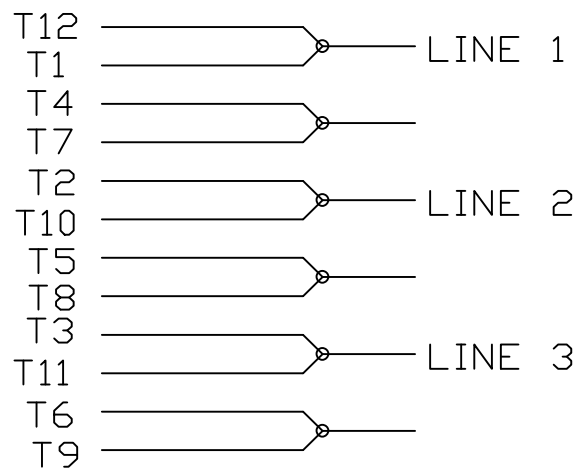


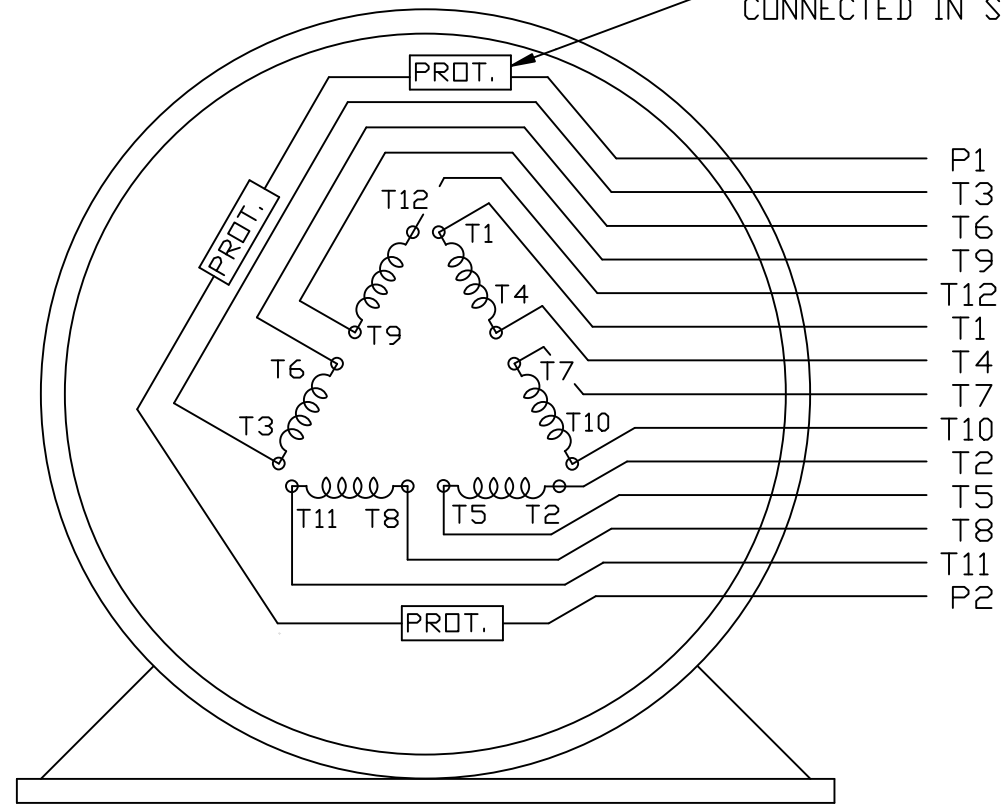
LOW VOLTAGE



HIGH VOLTAGE



THERMO - PROTECTORS  
CONNECTED IN SERIES.



VIEW OF TERMINAL END

					✓ UNLESS OTHERWISE SPECIFIED DIMENSIONS ARE IN INCHES TOL. ON XX±    XXX±    XXXX±    ANGLES±			
2	08/17/2011	REMOVED NOTE '12 LEADS SINGLE VOLTAGE'	MU103768		RFH	MAX. SURFACE ROUGHNESS UNLESS OTHERWISE NOTED		DRAWN BY KL
1	12-11-2000	NEW DRAWING	MU34925	KL	FINISH		CHKD BY DJK	12-11-2000
REV		DATE	CHANGE	NAME	PART NAME			DRWG NO
					EXTERNAL CONNECTION DIAGRAM 3 PHASE - 2/1 DELTA - 12 LEADS			A- EE7308BZ-LN

PURCHASED    CADD FILE NO.    EE7308BZ-LN