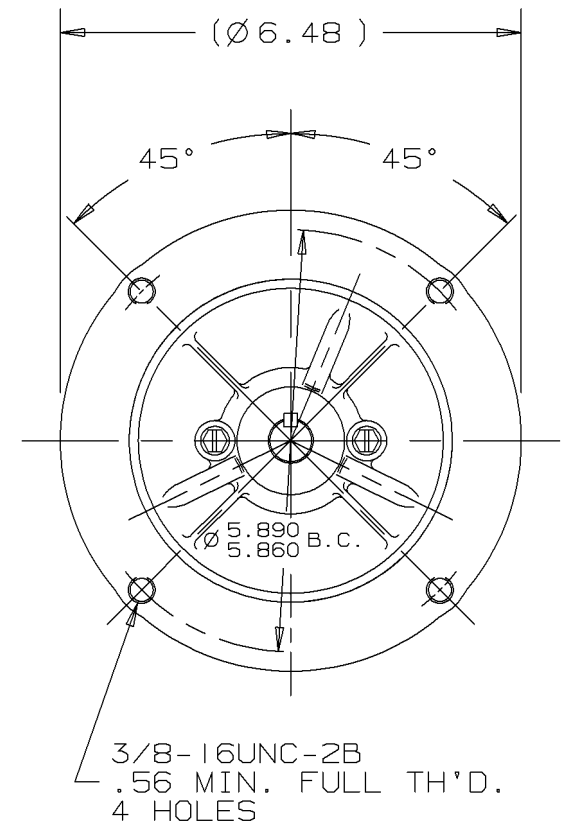
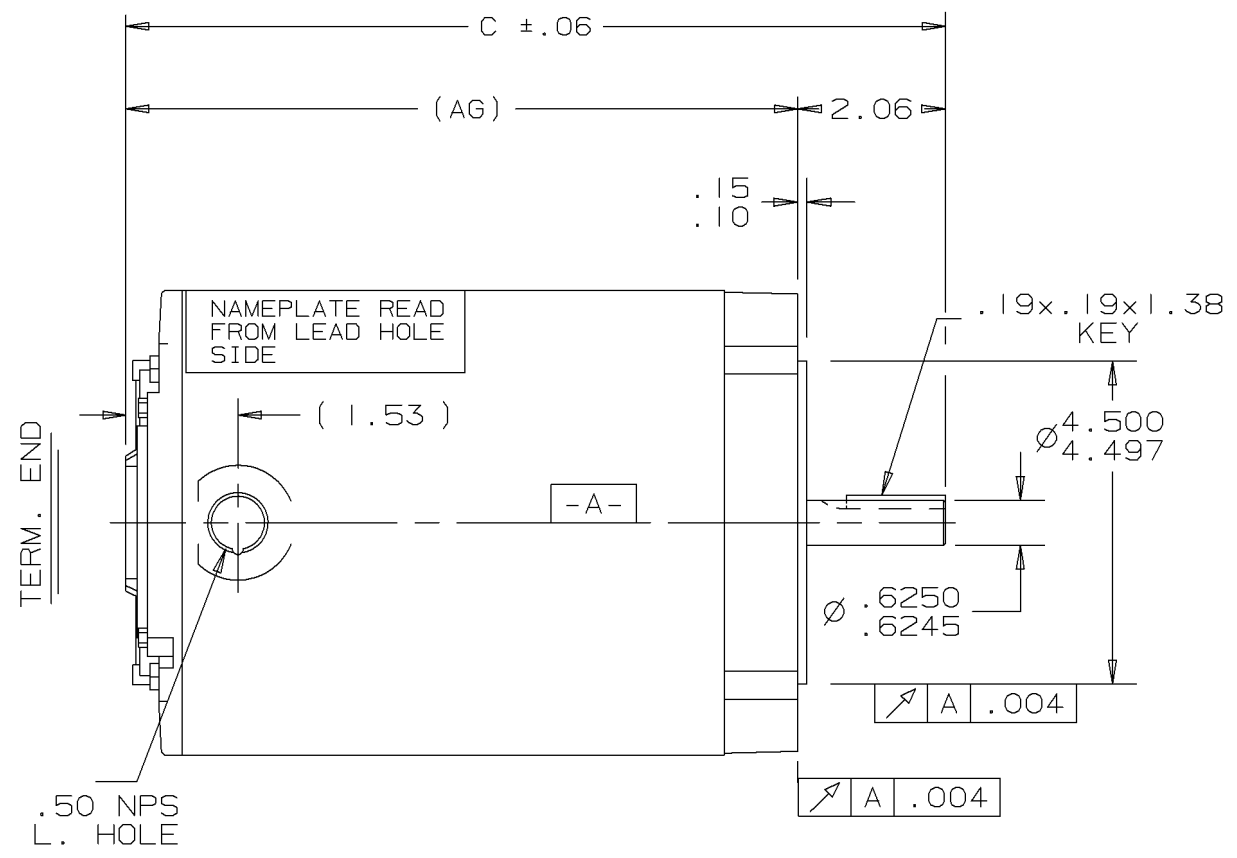


A-100104LN



DASH	FR.	C	AG		DASH	FR.	C	AG	
606	56-60	9.94	7.87		806	56-80	11.94	9.87	
656	"-65	10.44	8.37		856	"-85	12.44	10.37	
706	"-70	10.94	8.87		906	"-90	12.94	10.87	
756	"-75	11.44	9.37		956	"-95	13.44	11.37	

						UNLESS OTHERWISE SPECIFIED DIMENSIONS ARE IN INCHES TOL. ON XX±.02 XXX±.005 XXXX±.0005 ANGLES± 7'30"				
						MAX. SURFACE ROUGHNESS UNLESS OTHERWISE NOTED			DRAWN BY TRB 09-07-1999	
						FINISH			CHKD BY ML 09-07-1999	
						MATERIAL		APPD BY ET 09-08-1999		
REV	DATE	CHANGE		NAME	PART NAME OUTLINE 56 FR - BB - TENV - C-FACE - 3Ø				DRWG NO A-100104LN	
				PURCHASED		CADD FILE NO.		100104LN		

ERROR: undefined
OFFENDING COMMAND: en

STACK:

-dictionary-
/Pscript_WinNT_Compat
-dictionary-