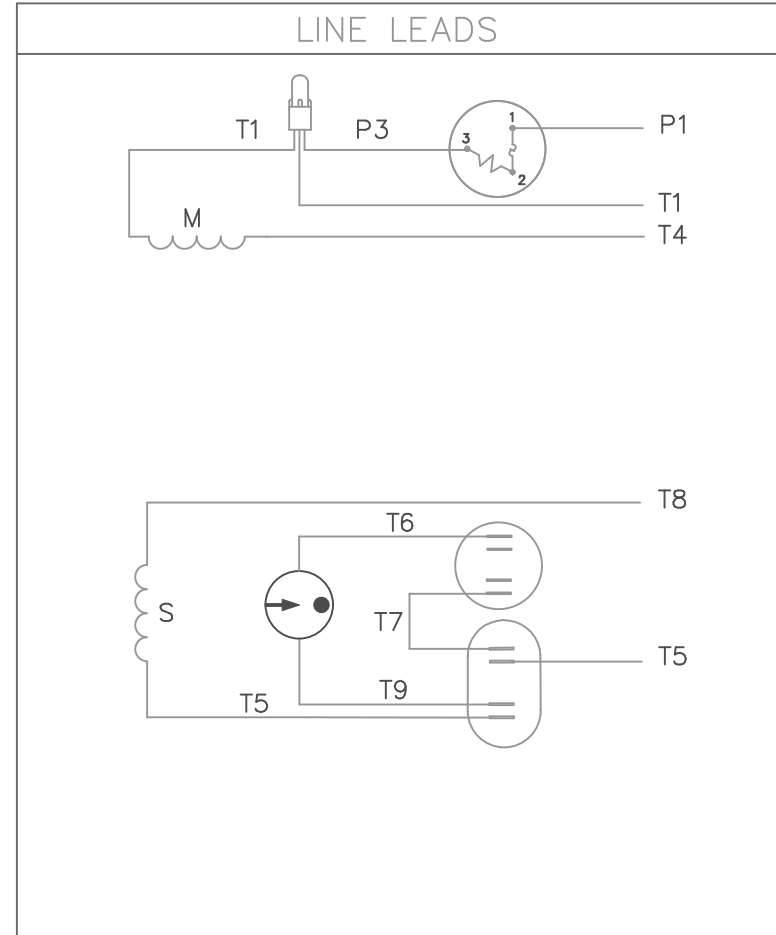
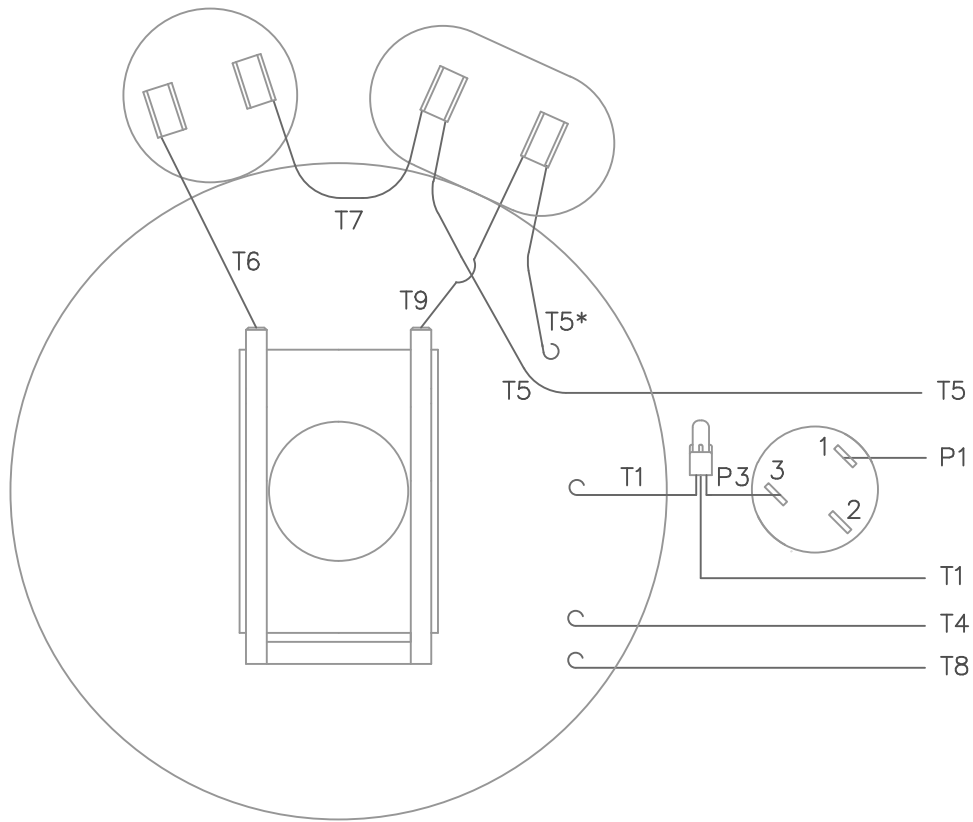



VIEW FROM OUTSIDE OF MOTOR AT SWITCH END.



ROTATION FACING LEAD END	L1	L2	JOIN
C.C.W.	P1	T4, T5	T1, T8
C.W.	P1	T4, T8	T1, T5

* THIS LEAD MAY BE WHITE

				TOLERANCES UNLESS SPECIFIED				DRAWN WLW 08/30/76		
				DEC.	INCHES			CHK WRK 09/24/76		
				.X	±.1			APPD		
				.XX	±.01			SCALE 1=1		
				.XXX	±.005			REF		
				.XXXX	±.0005	MAT'L. DECAL - 004015		FMF 6K17FB4		
NO.	REVISION	BY & DATE	CHK	ANG	±1/2'	FINISH		PREV		
THIS DRAWING IN DESIGN AND DETAIL IS OUR PROPERTY AND MUST NOT BE USED EXCEPT IN CONNECTION WITH OUR WORK ALL RIGHTS OF DESIGN AND INVENTION ARE RESERVED THIS IS AN ELECTRONICALLY GENERATED DOCUMENT - DO NOT SCALE THIS PRINT				RFP	CAD FILE 00505603LN		SIZE	DRAWING NO.		REV.
				DIST	BRF-NLV		A	005056-03LN		