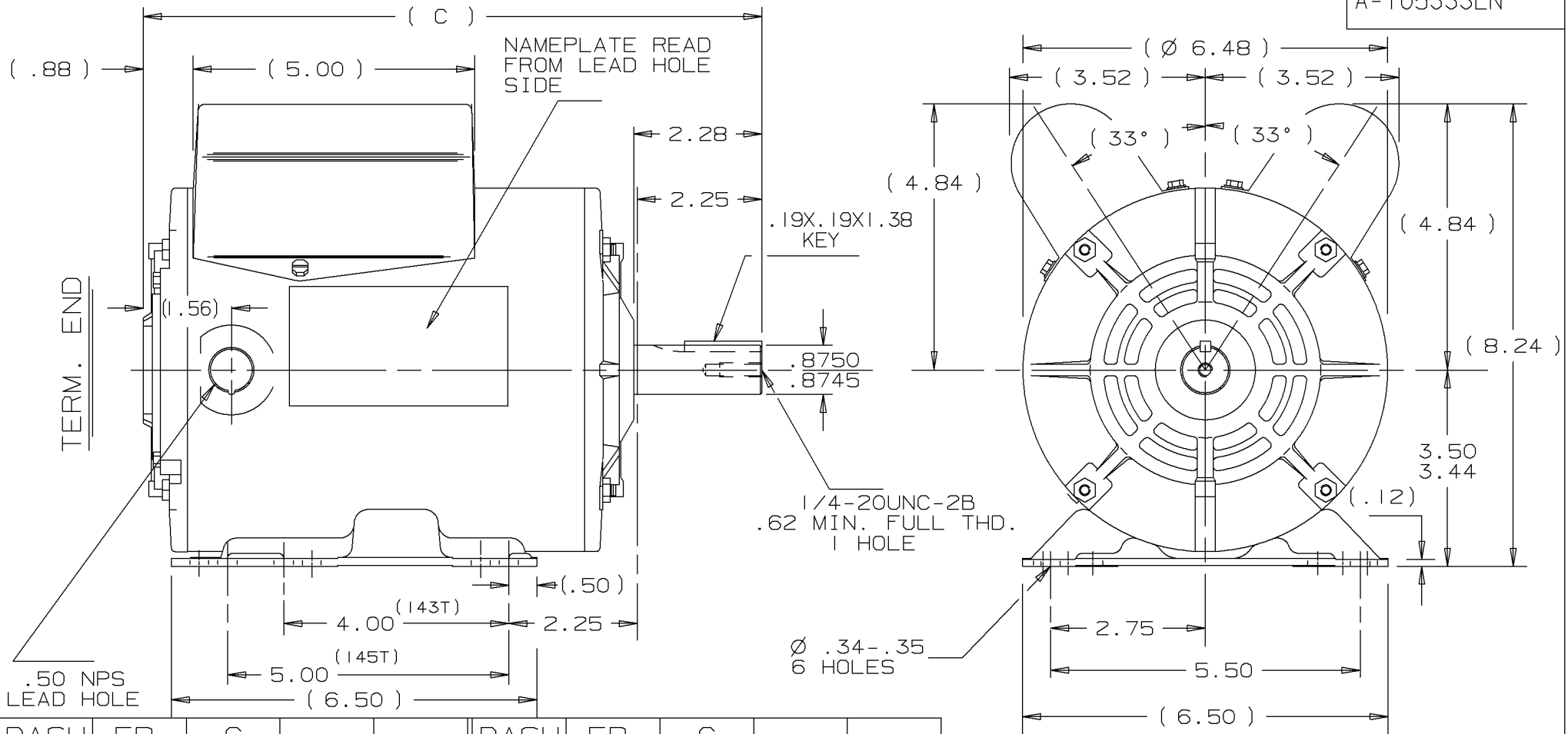


A-105333LN



DASH	FR.	C	DASH	FR.	C
			856	140T	12.49
			906	"	12.99
756	140T	11.49	956	"	13.49
806	"	11.99			

				TOLERANCES UNLESS SPECIFIED	
		DEC.	TOLERANCE		
		.X	± .1		
		.XX	± .03		
		.XXX	± .005		
1	NEW DRAWING	MU40635	TJB	03-07-2002	DRS .XXXX ± .0005
NO.	REVISION	BY	DATE	CHK	ANG ± 7'30"

		DRAWN TJB 03-05-2002	
		CHK DRS 03-06-2002	
		APPD ET 03-06-2002	
TITLE OUTLINE		SCALE	
140 FR. - TENV - BB		REF	
SURFACE ROUGHNESS UNLESS SPECIFIED		FMF	
MAT'L.		PREV	
FINISH			

PURCHASED				CAD FILE 105333LN		SHOP BOOK		SIZE	DRAWING NO.	REV.
DIST WA - LB - WP - LM - BR - BY								A	105333LN	I

THIS DRAWING IN DESIGN AND DETAIL IS OUR PROPERTY AND MUST NOT BE USED EXCEPT IN CONNECTION WITH OUR WORK. ALL RIGHTS OF DESIGN AND INVENTION ARE RESERVED. THIS IS AN ELECTRONICALLY GENERATED DOCUMENT - DO NOT SCALE THIS PRINT