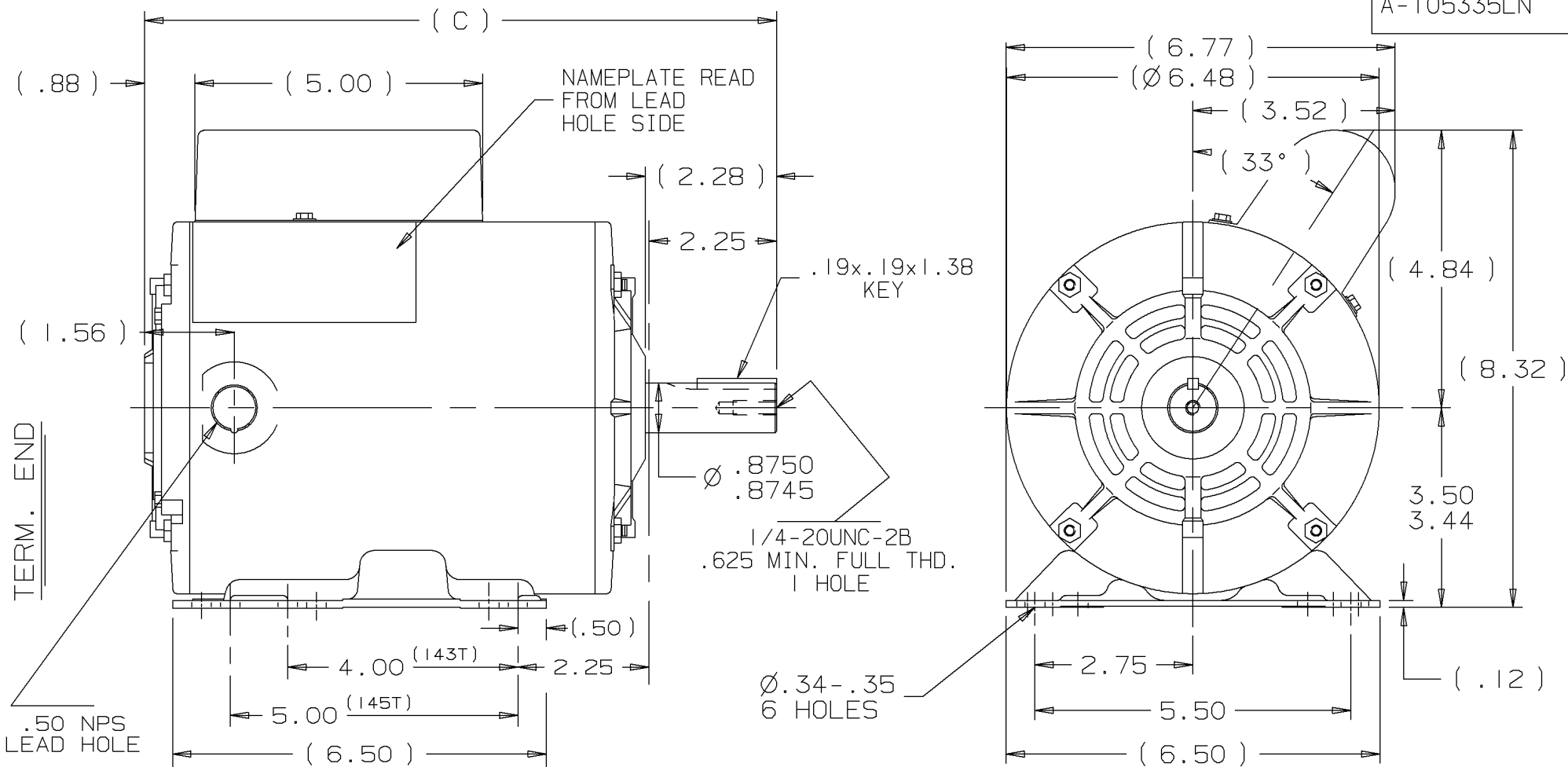


A-105335LN



DASH	FR.	C			DASH	FR.	C		
					856	140T	12.49		
756	140T	11.49			906	"	12.99		
806	"	11.99			956	"	13.49		

				TOLERANCES UNLESS SPECIFIED		Lincoln MOTORS		DRAWN MSG 03-08-2002		
				DEC.	TOLERANCE			CHK	DRS 03-11-2002	
				.X	± .1			APPD	SAS 03-11-2002	
				.XX	± .03	TITLE OUTLINE		SCALE		
				.XXX	± .005	140 FR. - TENV - BB		REF		
1	NEW DRAWING	MU40642	MSG 03-11-02	SAS .XXXX	± .0005	✓ SURFACE ROUGHNESS UNLESS SPECIFIED	MAT'L.	FMF		
NO.	REVISION	BY	DATE	CHK	ANG ± 7'30"	FINISH		PREV		
THIS DRAWING IN DESIGN AND DETAIL IS OUR PROPERTY AND MUST NOT BE USED EXCEPT IN CONNECTION WITH OUR WORK. ALL RIGHTS OF DESIGN AND INVENTION ARE RESERVED. THIS IS AN ELECTRONICALLY GENERATED DOCUMENT - DO NOT SCALE THIS PRINT				PURCHASED		CAD FILE 105335LN	SHOP BOOK	SIZE	DRAWING NO.	REV.
				DIST <del>WA</del> - <del>LB</del> - WP - <del>LM</del> - <del>BR</del> - <del>BY</del>				A	105335LN	