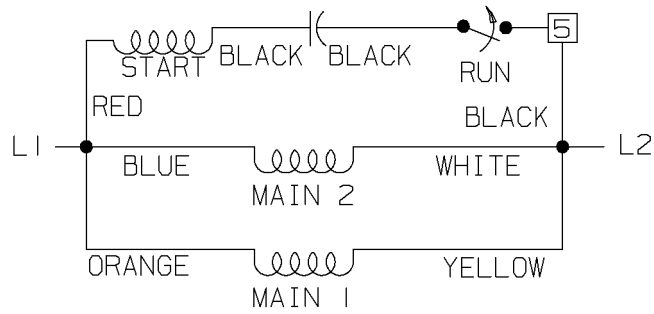


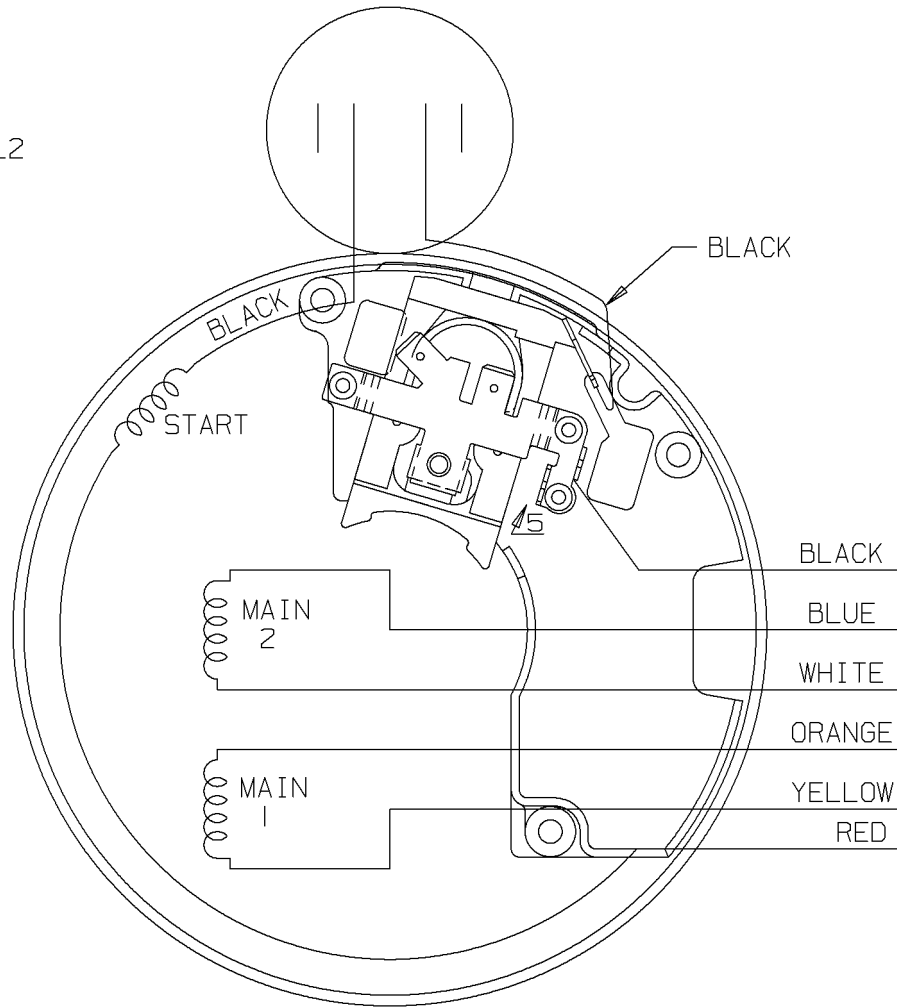
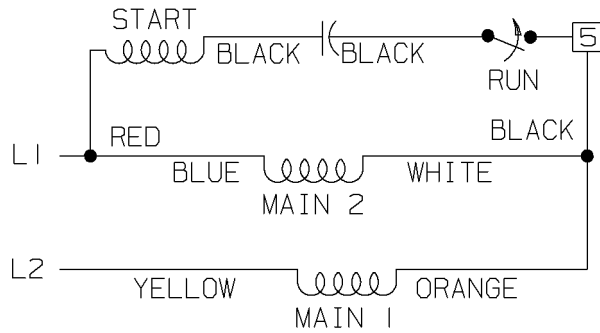
A-EE9023D-LN

LOW VOLTAGE C.C.W.



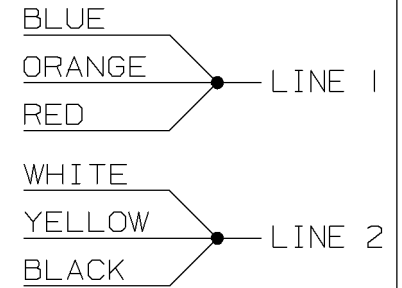
START

HIGH VOLTAGE C.C.W.

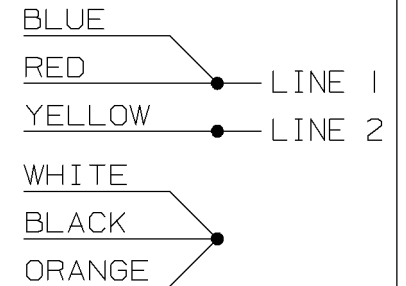


DUAL VOLTAGE
CAPACITOR START
NO OVERLOAD
SELECT ROTATION

LOW VOLT. CCW ROT.



HIGH VOLT. CCW ROT.



FOR CW ROT. EITHER
VOLTAGE INTERCHANGE
RED WITH BLACK LEAD.

A-S4AF4

					<input checked="" type="checkbox"/> UNLESS OTHERWISE SPECIFIED DIMENSIONS ARE IN INCHES TOL. ON XX±.02 XXX±.005 XXXX±.0005 ANGLES± 7'30"		
					MAX. SURFACE ROUGHNESS UNLESS OTHERWISE NOTED		DRAWN BY TJB 11-23-1999 CHKD BY ML 11-24-1999
1	11-24-1999	NEW DRAWING	TJB		MATERIAL	APPD BY GK 11-24-1999	
REV	DATE	CHANGE	NAME	PART NAME	CONNECTION DIAGRAM		DRWG NO A-EE9023D-LN

PURCHASED

CADD FILE NO.

EE9023D-LN

ERROR: syntaxerror
OFFENDING COMMAND: --nostringval--

STACK:

173
/logicalnot
172
/guillemotleft
171
/ordfeminine
170
/copyright
169
/dieresis
168
/section
167
/brokenbar
166
/yen
165
/currency
164
/exclamdown
161
/space
160
/Ydieresis
159
/oe
156
/guilsinglright
155
/scaron
154
/trademark
153
/tilde
152
/emdash
151
/endash
150
/bullet
149
/quotedblright
148
/quotedblleft
147
/quoteright
146
/quoteleft
145
/OE
140
/guilsinglleft
139
/Scaron
138
/perthousand
137
/circumflex
136
/daggerdbl
135
/dagger
134
/ellipsis
133
/quotedblbase
132
/florin