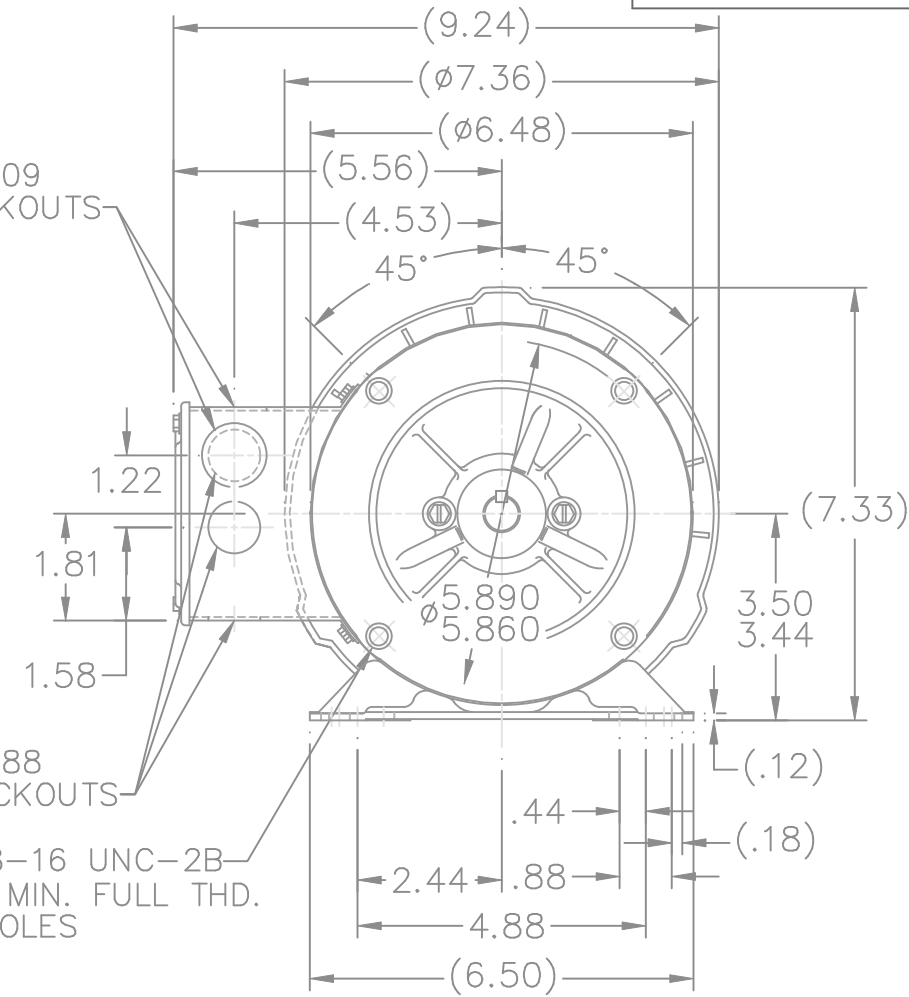


2- ϕ 1.09
KNOCKOUTS

3- ϕ .88
KNOCKOUTS

3/8-16 UNC-2B
.56 MIN. FULL THD.
4 HOLES



NOTES:
1. CONDUIT BOX CAN BE ROTATED 180°
2. NAMEPLATE READ FROM CONDUIT BOX SIDE OF MOTOR.

DASH	FR.	C	AG	BS	DASH	FR.	C	AG	BS
656	56-65	11.82	9.75	3.25	856	56-85	13.82	11.75	5.25
706	56-70	12.32	10.25	3.75	906	56-90	14.32	12.25	5.75
756	56-75	12.82	10.75	4.25	956	56-95	14.82	12.75	6.25
806	56-80	13.32	11.25	4.75					

10-07-1999
02-15-2000

12-16-2003
12-16-2003

NO.	REVISION	BY & DATE	CHK	ANG	TOLERANCES UNLESS SPECIFIED	
					DEC.	INCHES
					.X	\pm .1
					.XX	\pm .03
2	AD'D NAMEPLATE LOC.	CN 27400-296	BLR	08-05-1999	.XXX	\pm .005
1	NEW DRAWING		BLR	06-18-1999	.XXXX	\pm .0005
					.ANG	\pm 7'30"

	TITLE	OUTLINE
		56 FR. - TEFC - 3 - 'C' FACE
	MAT'L.	
	FINISH	

DRAWN	BLR	06-10-1999
CHK	ML	06-18-1999
APPD	GK	06-18-1999
SCALE	5=16	
REF		
FMF		
PREV		

THIS DRAWING IN DESIGN AND DETAIL IS OUR PROPERTY AND MUST NOT BE USED EXCEPT IN CONNECTION WITH OUR WORK ALL RIGHTS OF DESIGN AND INVENTION ARE RESERVED THIS IS AN ELECTRONICALLY GENERATED DOCUMENT - DO NOT SCALE THIS PRINT

RFP	CAD FILE	100109LN	SIZE	A	DRAWING NO.	100109LN	PAGE	OF	2	REV.	2
DIST	WP										