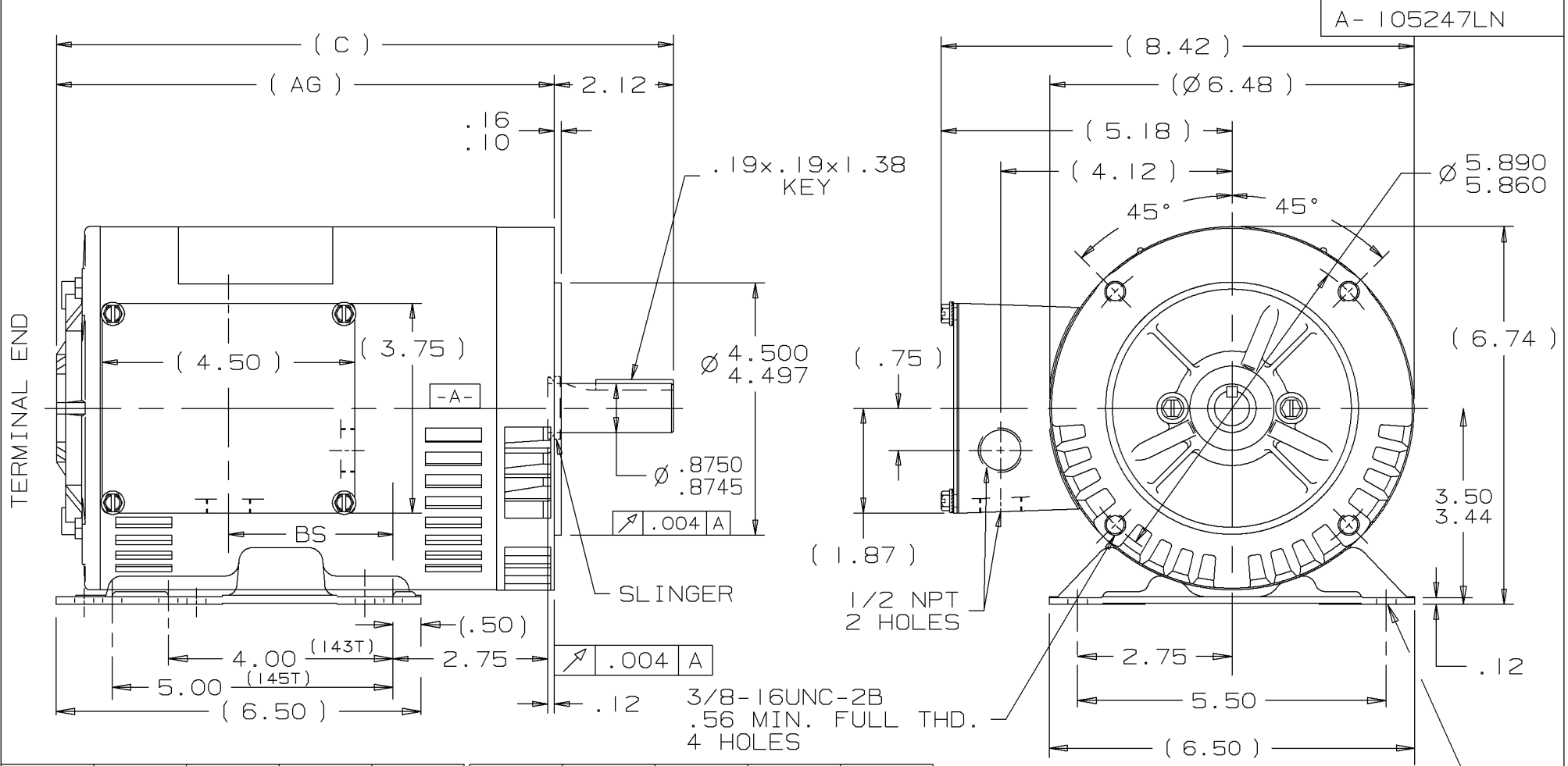


A-105247LN



| DASH | FR. | C | AG | BS | DASH | FR. | C | AG | BS |
|------|-----|-------|------|------|------|-----|-------|-------|------|
| | | | | | 806 | 140 | 11.99 | 9.87 | 3.93 |
| | | | | | 856 | 140 | 12.49 | 10.37 | 4.43 |
| 706 | 140 | 10.99 | 8.87 | 2.93 | 906 | 140 | 12.99 | 10.87 | 4.93 |
| 756 | 140 | 11.49 | 9.37 | 3.43 | 956 | 140 | 13.49 | 11.37 | 5.43 |

NOTE:
1. CONDUIT BOX CAN BE ROTATED 180°
2. NAMEPLATE READ FROM TERM END

| | | | | | | | | | | |
|-----|------|-----------|--|------|-------------------------------------------------------------------------|---------------------------------------------------------------------------------------------------------|--------------------|------------------------------------------|----------------------------------------|--|
| | | | | | | UNLESS OTHERWISE SPECIFIED DIMENSIONS ARE IN INCHES TOL. ON XX±.03 XXX±.005 XXXX±.0005 ANGLES± 7'30" | | | | |
| | | | | | | MAX. SURFACE ROUGHNESS UNLESS OTHERWISE NOTED FINISH MATERIAL | WASHDOWN COND. BOX | DRAWN BY HLB CHKD BY ML APPD BY ET | 10-12-2001 10-16-2001 10-16-2001 | |
| REV | DATE | CHANGE | | NAME | PART NAME OUTLINE - ENCAPSULATED 629 FR. - BB - DR.PR. - C'FACE - 3Ø | | | | DRWG NO A-105247LN | |
| | | PURCHASED | | | DISTRIBUTION WA - LB - WP - LN - BY | | CADD FILE NO. | | 105247LN | |