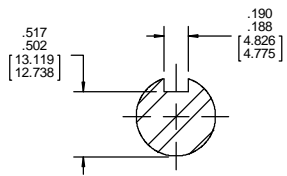
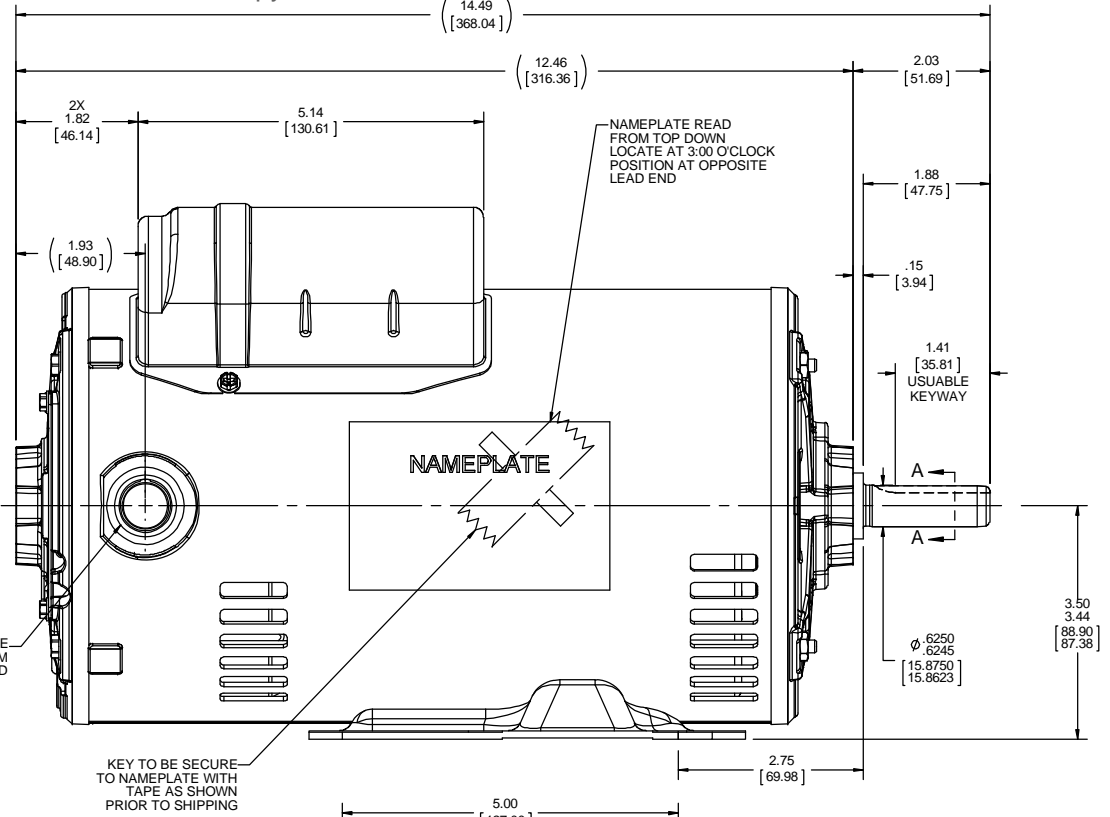
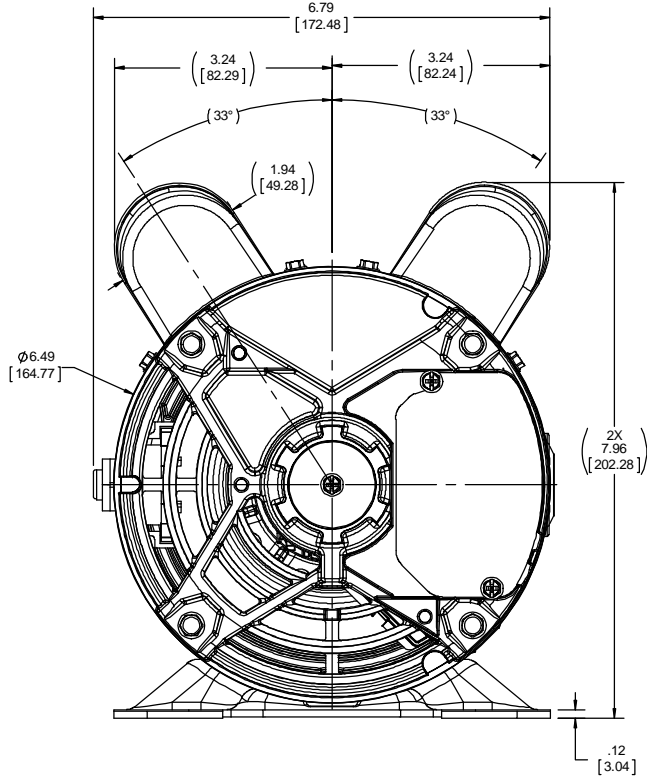
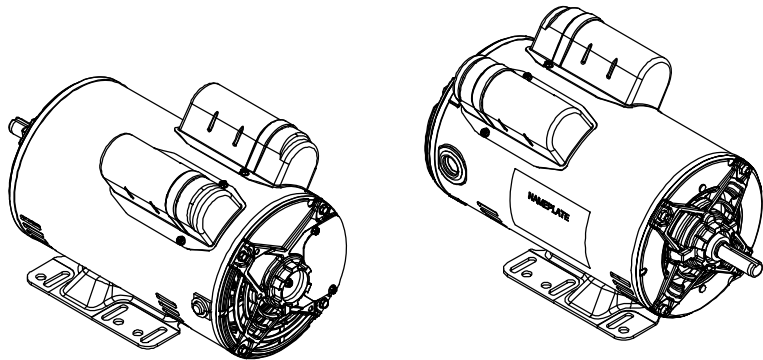
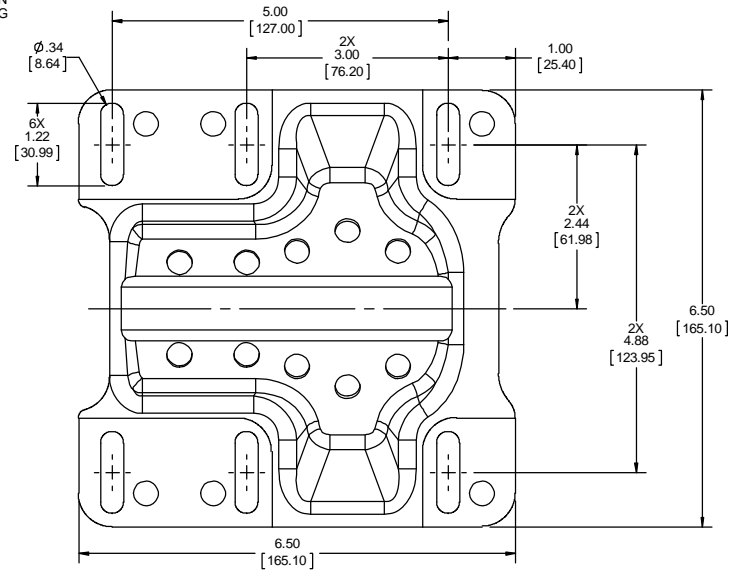


Uncontrolled Copy



SECTION A-A



| | | | | | |
|--|------------------------------|-------------------|---|----------------------------------|---|
| DRAWING REVISION B | REVISION BY D.SURYAWANSHI | DATE 12/5/2018 | TOLERANCES UNLESS OTHERWISE SPECIFIED: DEC. INCH mm ANGLE | DRAWN BY E.VILLA | Regal Beloit America, Inc. |
| ECO-0157829 | APPROVED BY | DATE | .X ±0.1 [2.5] 30.5° .XX ±0.03 [0.76] .XXX ±0.005 [0.127] .XXXX ±0.0005 [±0.0127] | DATE 04-19-2017 | |
| ECO DESCRIPTION UPDATED TERMINAL BOARD ASSY PER ECO | | | REMOVE BURRS & BREAK SHARP EDGES: .003/.015 [0.076/.381] X 45° CORNER FILLETS: R.02 [.51] | APPROVED BY A.ARRUEOLA | DESCRIPTION OUTLINE 56FR,ODP,3-PHASE,RIGID |
| <small> PROPRIETARY AND CONFIDENTIAL INFORMATION. THIS DOCUMENT IS THE PROPERTY OF REGAL BELOIT AMERICA, INC. OWNERS AND CONTAINS OWNERS PROPRIETARY INFORMATION. ANY PERSON, CORPORATION OR OTHER FIRM RECEIVING IT IS DEEMED TO AGREE THAT IT, AND/OR ANY PART OF IT, SHALL NOT BE DISCLOSED TO ANY PERSON, CORPORATION OR OTHER ENTITY, DUPLICATED, AND/OR USED, EXCEPT AS EXPRESSLY APPROVED IN WRITING IN ADVANCE BY OWNER. THIS DOCUMENT SHALL BE RETURNED TO OWNER UPON REQUEST. IT MAY BE SUBJECT TO CERTAIN RESTRICTIONS UNDER APPLICABLE EXPORT CONTROL LAWS AND REGULATIONS. </small> | | | MACHINED SURFACES: .125 / 3.2 INCH/ mm SHOWN IN [BRACKETS] | DATE 04-19-2017 | MATERIAL |
| | | | THIRD ANGLE PROJECTION | REFERENCE | PROCESS/FINISH |
| | | | SIZE C | DRAWING NUMBER OL56100246-001 | SHEET 1 OF 1 |