

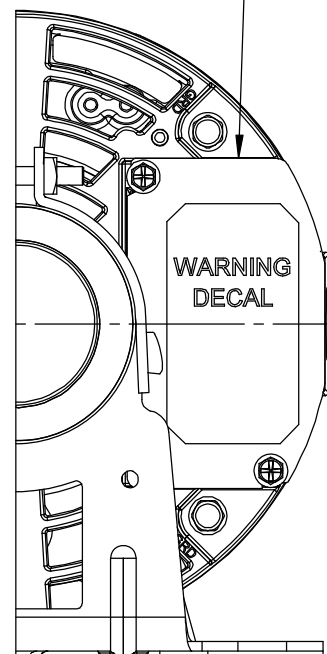
4

3

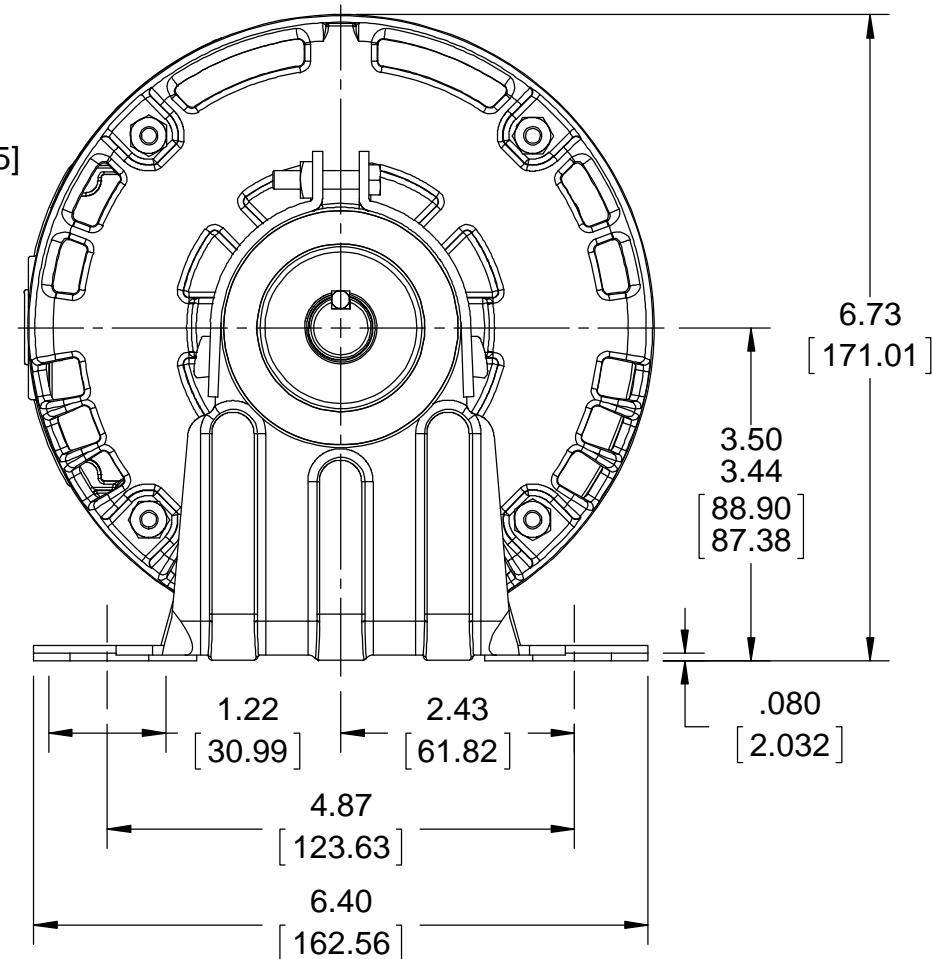
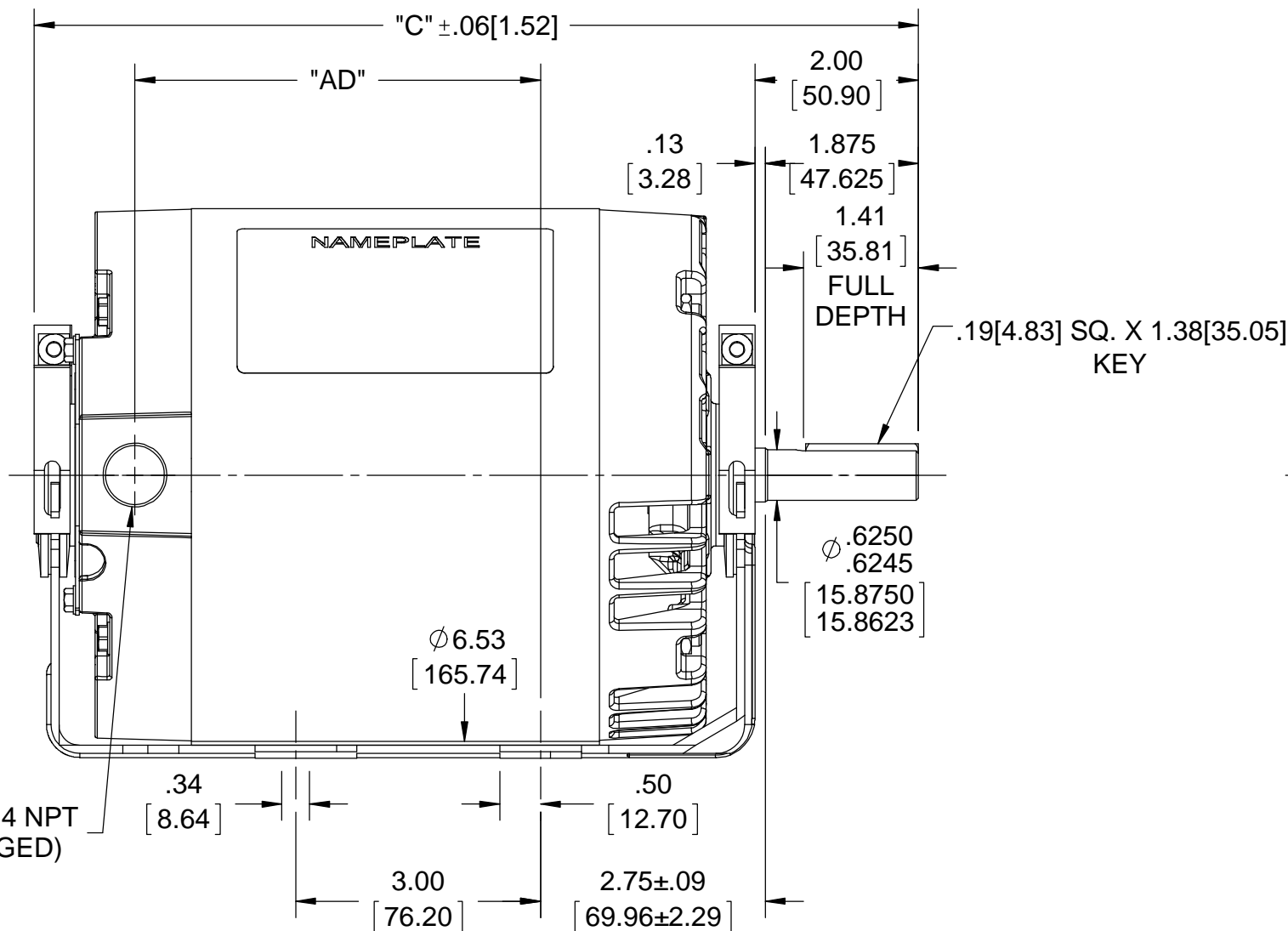
2

1

DECAL CONNECTION  
UNDER COVER  
(WHEN REQ'D)



WARNING  
DECAL

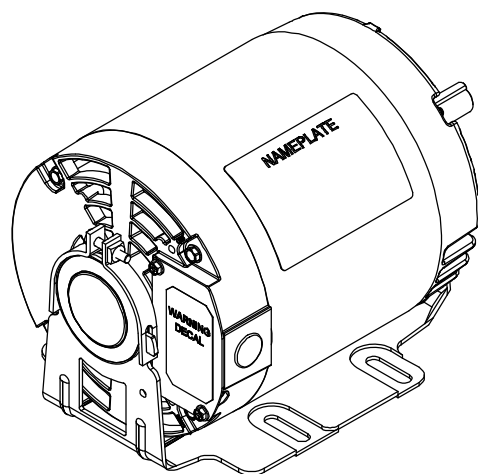


B

B

A

A



4

3

2

1

DASH NO.	"C"	"AD"
500	10.82 [274.83]	4.96 [125.98]
600	11.82 [300.23]	5.96 [151.38]

DRAWING REVISION A	REVISION BY	DATE	TOLERANCES UNLESS OTHERWISE SPECIFIED: DEC. INCH mm ANGLE .X ±0.1 [±2.5] ±7° 30" .XX ±0.03 [±0.76] .XXX ±0.005 [±0.127] .XXXX ±0.0005 [±0.0127] REMOVE BURRS & BREAK SHARP EDGES: .003/.015 [0.076/.381] X 45° CORNER FILLETS: R.02 [0.51] MACHINED SURFACES: 200 INCH/mm 5.1 mm SHOWN IN [BRACKETS]	DRAWN BY T AHER	<b>REGAL</b> ™ Regal Beloit America, Inc.
ECO ECO-0140840	APPROVED BY	DATE		DATE 01/29/2018	
ECO DESCRIPTION <b>OUTLINE CONVERSION PROJECT</b> COPYRIGHT REGAL BELOIT AMERICA, INC. ALL RIGHTS RESERVED. PROPRIETARY AND CONFIDENTIAL INFORMATION - THIS DOCUMENT IS THE PROPERTY OF REGAL BELOIT AMERICA, INC. ("OWNER") AND CONTAINS OWNER'S PROPRIETARY INFORMATION. ANY PERSON, CORPORATION OR OTHER FIRM RECEIVING IT IS DEEMED, BY RECEIVING IT, TO AGREE THAT IT, AND/OR ANY PART OF IT, SHALL NOT BE DISCLOSED TO ANY PERSON, CORPORATION OR OTHER ENTITY, DUPLICATED, AND/OR USED, EXCEPT AS EXPRESSLY APPROVED IN WRITING IN ADVANCE BY OWNER. THIS DOCUMENT SHALL BE RETURNED TO OWNER UPON REQUEST. IT MAY BE SUBJECT TO CERTAIN RESTRICTIONS UNDER APPLICABLE EXPORT CONTROL LAWS AND REGULATIONS.				APPROVED BY PK	DESCRIPTION <b>OUTLINE</b> 56 FRAME, DRIP PROOF - RESILIENT BASE
				DATE 03/08/2018	MATERIAL
				REFERENCE 607-0198	PROCESS/FINISH
				THIRD ANGLE PROJECTION	SIZE B
					DRAWING NUMBER <b>607-0332</b>
					SHEET 1 OF 1