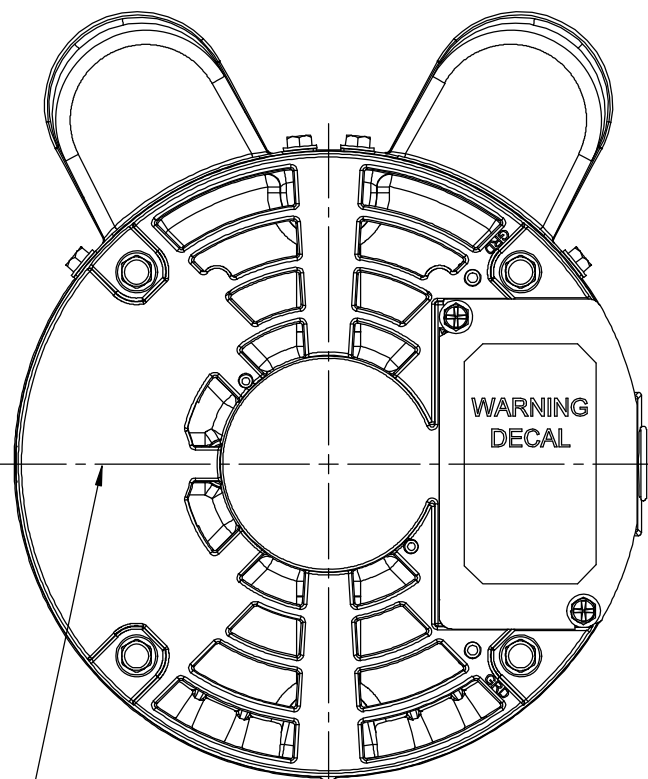


B

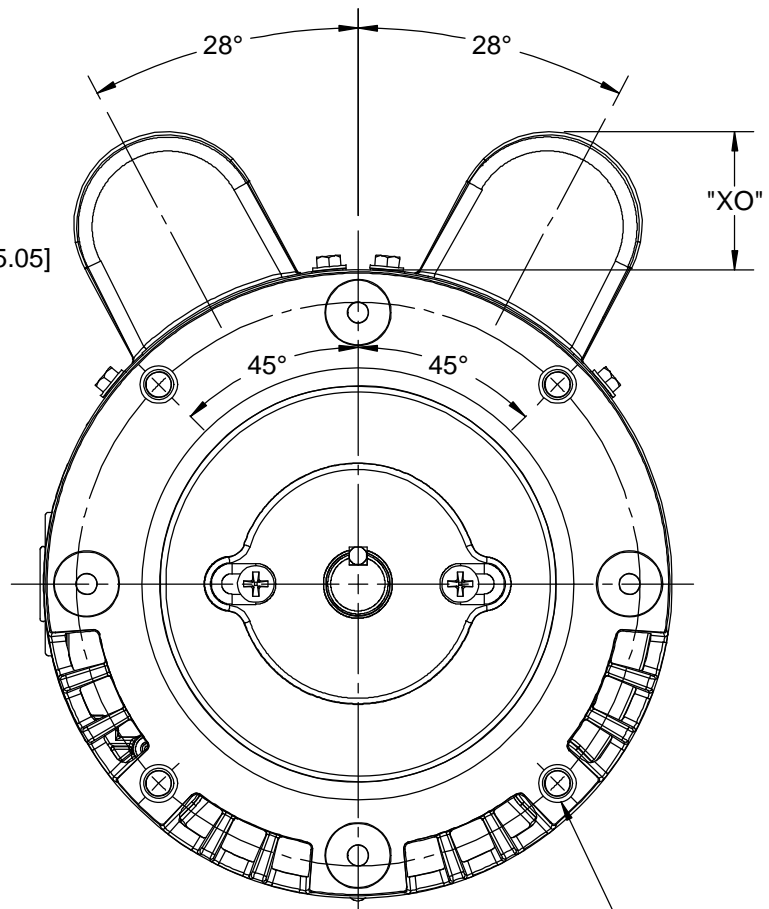
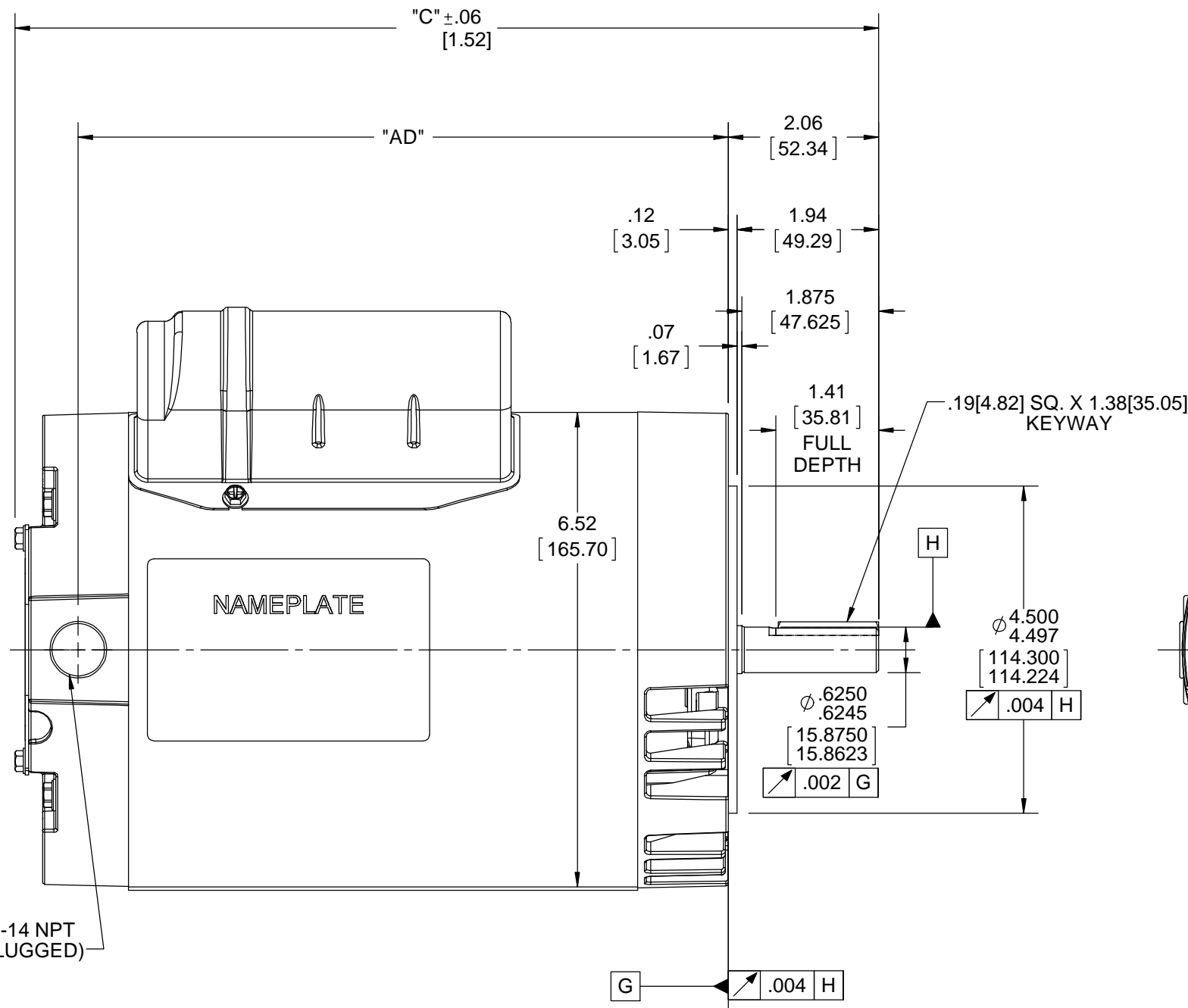
A

B

A



AUTO PROTECTOR INSIDE



DASH NO.	"C"	"AD"	CAP. DASH	"XO"
			A	1.15[29.21]
700	11.87[301.46]	8.94[227.08]	B	1.44[36.57]
			C	1.82[46.22]

DRAWING REVISION A	REVISION BY	DATE
ECO ECO-0148826	APPROVED BY	DATE
ECO DESCRIPTION OUTLINE CONVERSION PROJECT COPYRIGHT REGAL BELOIT AMERICA, INC. ALL RIGHTS RESERVED. PROPRIETARY AND CONFIDENTIAL INFORMATION - THIS DOCUMENT IS THE PROPERTY OF REGAL BELOIT AMERICA, INC. ("OWNER") AND CONTAINS OWNER'S PROPRIETARY INFORMATION. ANY PERSON, CORPORATION OR OTHER FIRM RECEIVING IT IS DEEMED, BY RECEIVING IT, TO AGREE THAT IT, AND/OR ANY PART OF IT, SHALL NOT BE DISCLOSED TO ANY PERSON, CORPORATION OR OTHER ENTITY, DUPLICATED, AND/OR USED, EXCEPT AS EXPRESSLY APPROVED IN WRITING IN ADVANCE BY OWNER. THIS DOCUMENT SHALL BE RETURNED TO OWNER UPON REQUEST. IT MAY BE SUBJECT TO CERTAIN RESTRICTIONS UNDER APPLICABLE EXPORT CONTROL LAWS AND REGULATIONS.		

TOLERANCES UNLESS OTHERWISE SPECIFIED:

DEC.	INCH	mm	ANGLE
.X	±0.1	[±2.5]	±0.5°
.XX	±0.03	[±0.76]	
.XXX	±0.005	[±0.127]	
.XXXX	±0.0005	[±0.0127]	

REMOVE BURRS & BREAK SHARP EDGES: .003/.015 [0.076/.381] X 45° CORNER FILLETS: R.02 [0.51] MACHINED SURFACES: 125 INCH/mm 3.2

mm SHOWN IN [BRACKETS]

DRAWN BY A. KEETHA	DATE 03/26/2018
APPROVED BY PK	DATE 07/16/2018
REFERENCE 607-0259	THIRD ANGLE PROJECTION

REGAL ™ Regal Beloit America, Inc.	
DESCRIPTION OUTLINE DRIP PROOF-ROUND 56C FRAME	PROCESS/FINISH
MATERIAL	SIZE B
DRAWING NUMBER 607-0360	SHEET 1 OF 1