

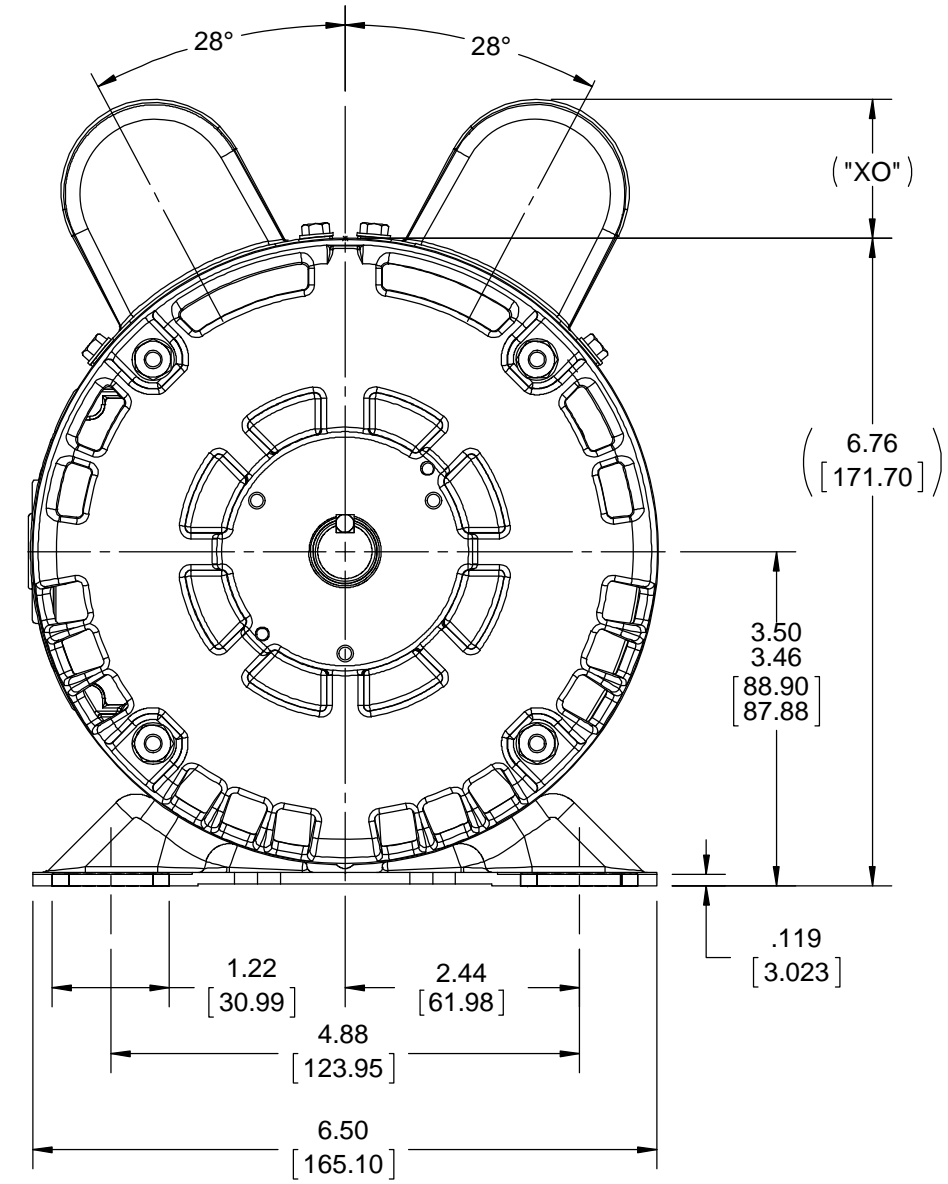
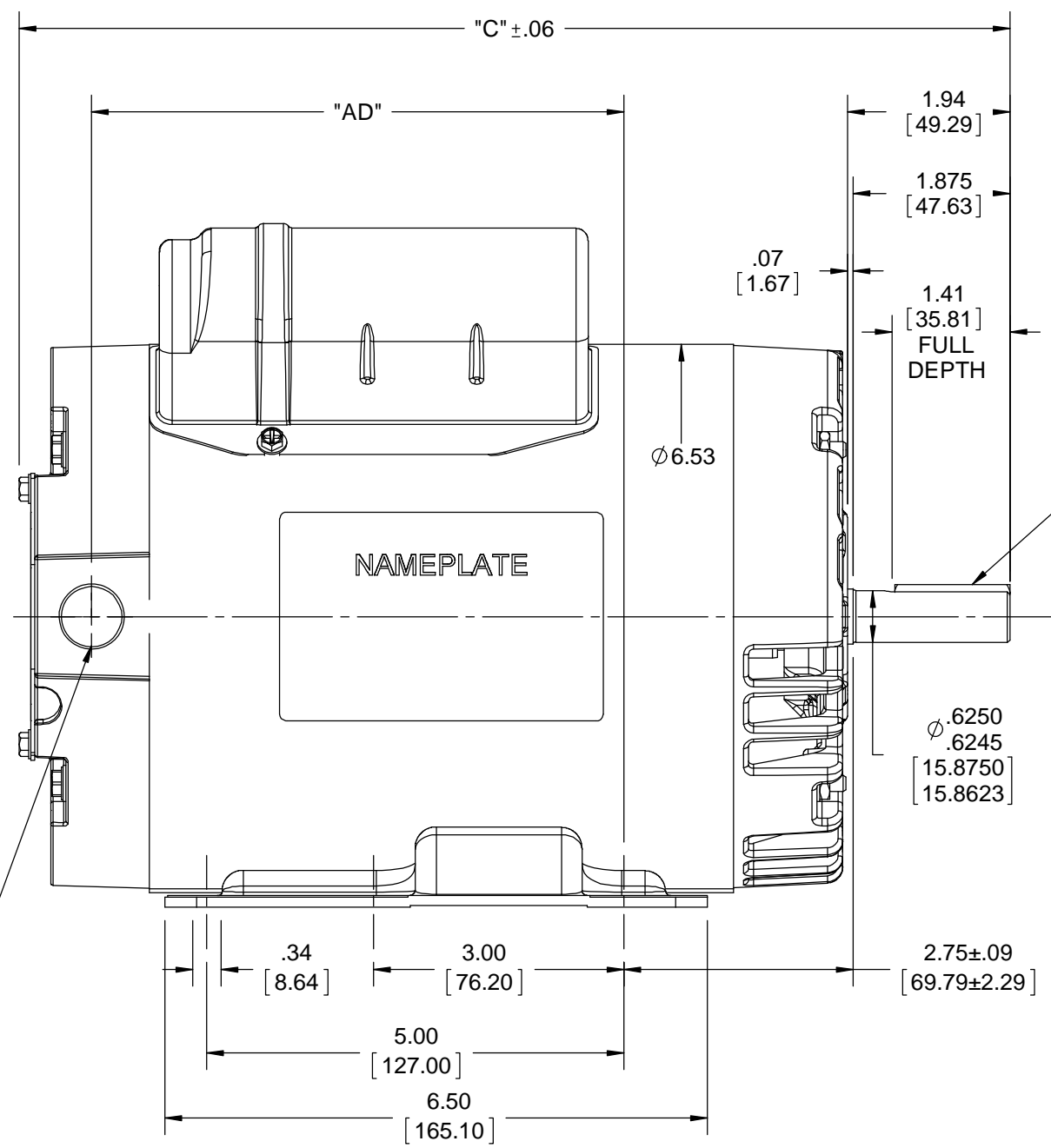
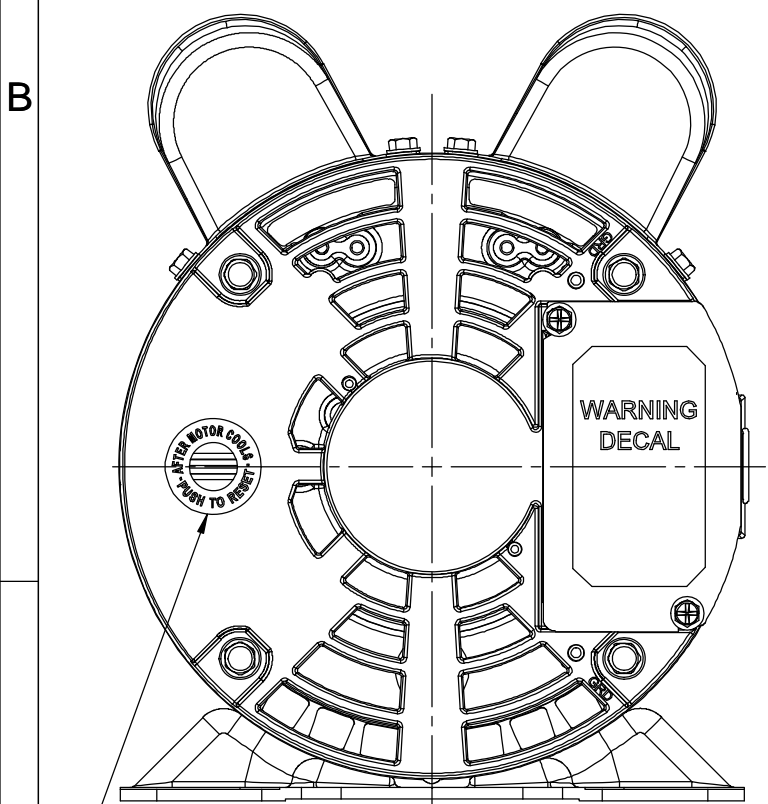
4

3

Uncontrolled Copy

2

1



MANUAL PROTECTOR

1/2-14 NPT (PLUGGED)

DASH	"C"	"AD"	CAP. DASH	"XO"
500	9.87	4.38		
550	10.37	4.88		
600	10.87	5.38		
650	11.37	5.88	A	1.01
700	11.87	6.38	B	1.45
750	12.37	6.88	C	1.68
800	12.87	7.38		

DRAWING REVISION B	REVISION BY AS	DATE 05/09/2018
ECO ECO-0144726	APPROVED BY AS	DATE 05/09/2018
ECO DESCRIPTION CAP. DASH TABLE VALUE CORRECTED.		
<small>COPYRIGHT REGAL BELOIT AMERICA, INC. ALL RIGHTS RESERVED. PROPRIETARY AND CONFIDENTIAL INFORMATION - THIS DOCUMENT IS THE PROPERTY OF REGAL BELOIT AMERICA, INC. ("OWNER") AND CONTAINS OWNER'S PROPRIETARY INFORMATION. ANY PERSON, CORPORATION OR OTHER FIRM RECEIVING IT IS DEEMED, BY RECEIVING IT, TO AGREE THAT IT, AND/OR ANY PART OF IT, SHALL NOT BE DISCLOSED TO ANY PERSON, CORPORATION OR OTHER ENTITY, DUPLICATED, AND/OR USED, EXCEPT AS EXPRESSLY APPROVED IN WRITING IN ADVANCE BY OWNER. THIS DOCUMENT SHALL BE RETURNED TO OWNER UPON REQUEST. IT MAY BE SUBJECT TO CERTAIN RESTRICTIONS UNDER APPLICABLE EXPORT CONTROL LAWS AND REGULATIONS.</small>		

TOLERANCES UNLESS OTHERWISE SPECIFIED:

DEC.	INCH	mm	ANGLE
.X	±0.1	[±2.5]	±0.5°
.XX	±0.03	[±0.76]	
.XXX	±0.005	[±0.127]	
.XXXX	±0.0005	[±0.0127]	

REMOVE BURRS & BREAK SHARP EDGES: .003/.015 [0.076/.381] X 45° CORNER FILLETS: R.02 [0.51] MACHINED SURFACES: 125 INCH/mm 3.2

mm SHOWN IN [BRACKETS]

DRAWN BY PK	DATE 10/17/2016
APPROVED BY PK	DATE 10/17/2016
REFERENCE 032658.00	THIRD ANGLE PROJECTION

REGAL ™ Regal Beloit America, Inc.	
DESCRIPTION OUTLINE DRIP PROOF - RIGID 56H FRAME	
MATERIAL	PROCESS/FINISH
SIZE B	DRAWING NUMBER 607-0269
	SHEET 1 OF 1

ORACLE PART REV.
001

4

3

2

1