

4

3

Uncontrolled Copy

2

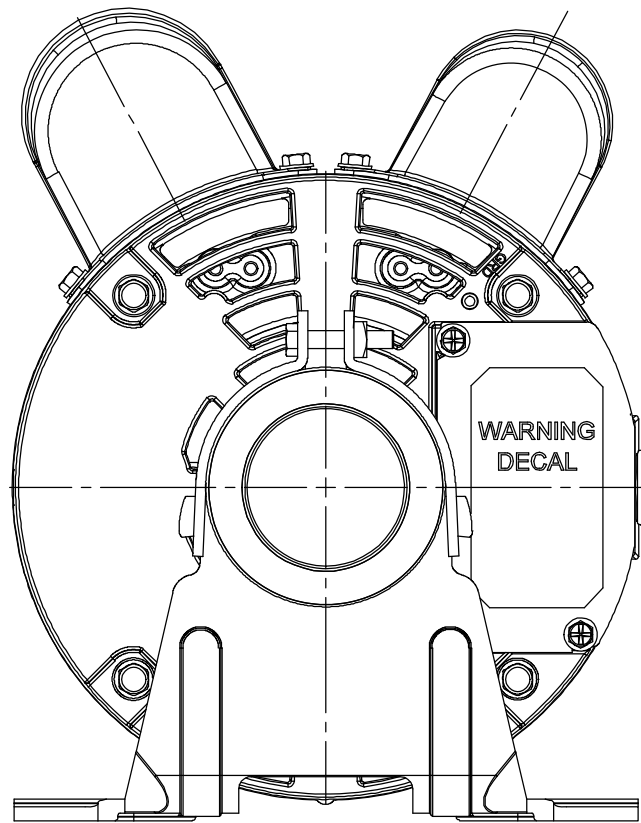
1

B

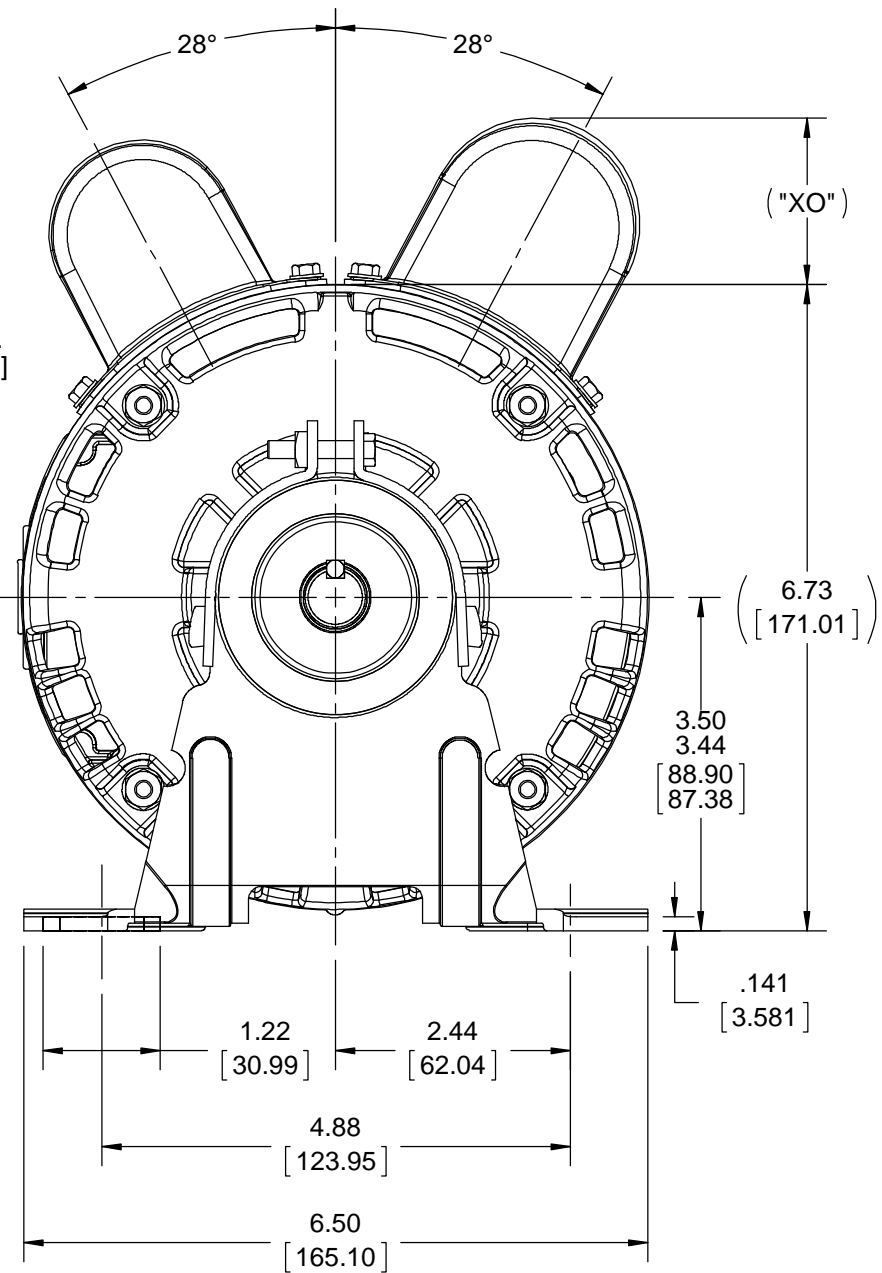
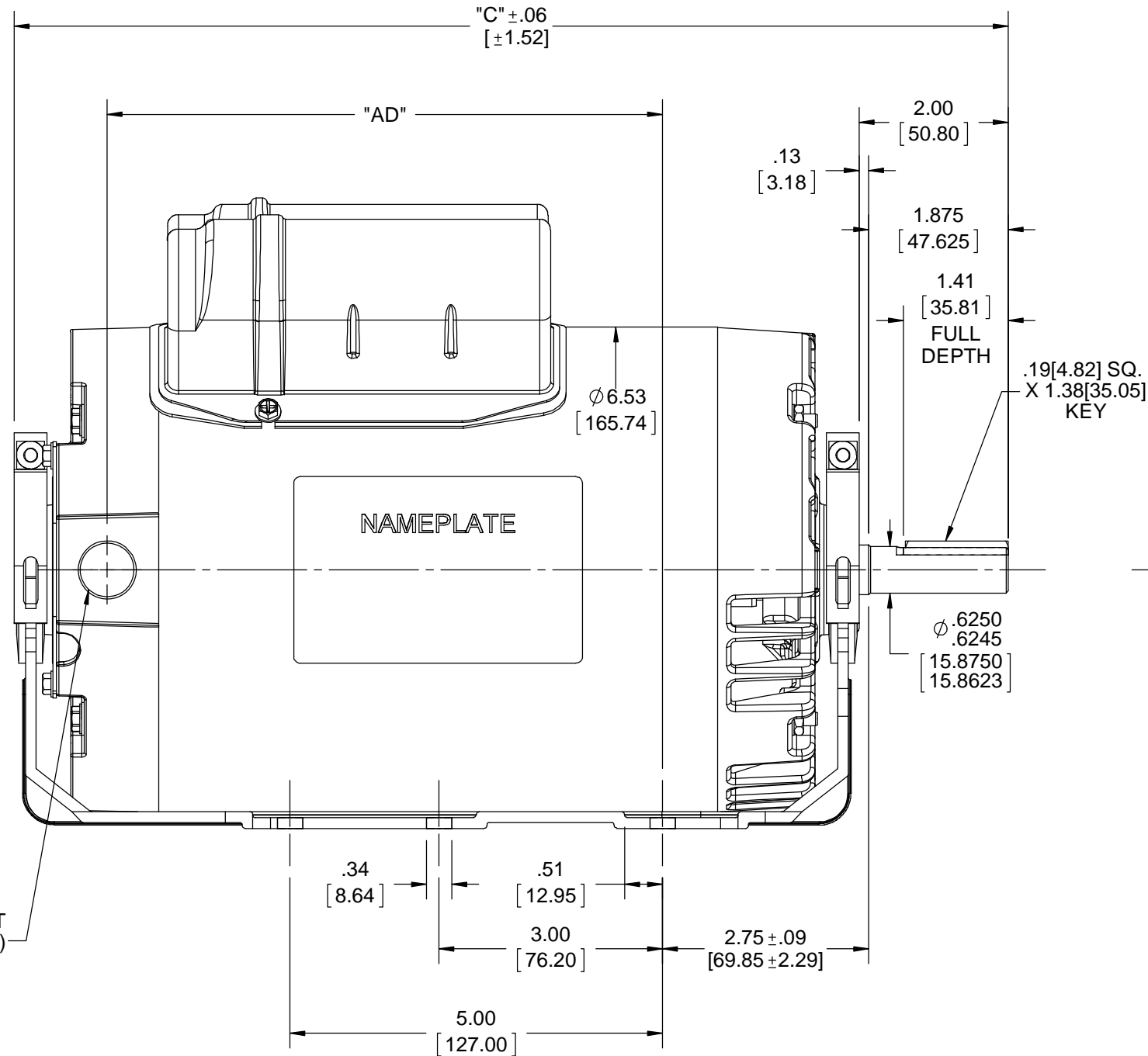
A

B

A



(1) 1/2-14 NPT (PLUGGED)



NOTE: AUTO PROTECTOR INSIDE LEAD END ENDBELL.

DASH NO.	"C"	"AD"	CAP DASH	"XO"
500	10.84[275.33]	4.95[125.73]		
550	11.34[288.03]	5.45[138.43]		
600	11.84[300.73]	5.95[151.13]		
650	12.34[313.43]	6.45[163.83]		
700	12.84[326.13]	6.95[176.53]		
750	13.34[338.83]	7.45[189.23]	A	1.15[29.21]
800	13.84[351.53]	7.95[201.93]	B	1.50[38.01]
850	14.34[364.23]	8.45[214.63]	C	1.73[43.94]

DRAWING REVISION C	REVISION BY A.KEETHA	DATE 05/04/2018
ECO ECO-0148826	APPROVED BY PK	DATE 07/16/2018
ECO DESCRIPTION OUTLINE CONVERSION PROJECT COPYRIGHT REGAL BELOIT AMERICA, INC. ALL RIGHTS RESERVED. PROPRIETARY AND CONFIDENTIAL INFORMATION - THIS DOCUMENT IS THE PROPERTY OF REGAL BELOIT AMERICA, INC. ("OWNER") AND CONTAINS OWNER'S PROPRIETARY INFORMATION. ANY PERSON, CORPORATION OR OTHER FIRM RECEIVING IT IS DEEMED, BY RECEIVING IT, TO AGREE THAT IT, AND/OR ANY PART OF IT, SHALL NOT BE DISCLOSED TO ANY PERSON, CORPORATION OR OTHER ENTITY, DUPLICATED, AND/OR USED, EXCEPT AS EXPRESSLY APPROVED IN WRITING IN ADVANCE BY OWNER. THIS DOCUMENT SHALL BE RETURNED TO OWNER UPON REQUEST. IT MAY BE SUBJECT TO CERTAIN RESTRICTIONS UNDER APPLICABLE EXPORT CONTROL LAWS AND REGULATIONS.		

TOLERANCES UNLESS OTHERWISE SPECIFIED:			
DEC.	INCH	mm	ANGLE
.X	±0.1	[±2.5]	±0.5°
.XX	±0.03	[±0.76]	
.XXX	±0.005	[±0.127]	
.XXXX	±0.0005	[±0.0127]	
REMOVE BURRS & BREAK SHARP EDGES: .003/.015 [0.076/.381] X 45° CORNER FILLETS: R.02 [0.51] MACHINED SURFACES: 125 INCH 3.2 mm SHOWN IN [BRACKETS]			

DRAWN BY PK	DATE 08/16/2016
APPROVED BY	DATE
REFERENCE 607-0258	THIRD ANGLE PROJECTION

REGAL ™ Regal Beloit America, Inc.	
DESCRIPTION OUTLINE 56H FRAME DRIP PROOF-RESILIENT BASE	
MATERIAL	PROCESS/FINISH
SIZE B	DRAWING NUMBER 607-0258
SHEET 1 OF 1	

4

3

2

1