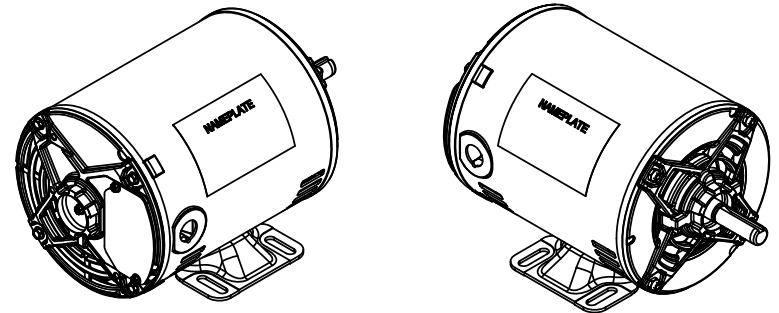
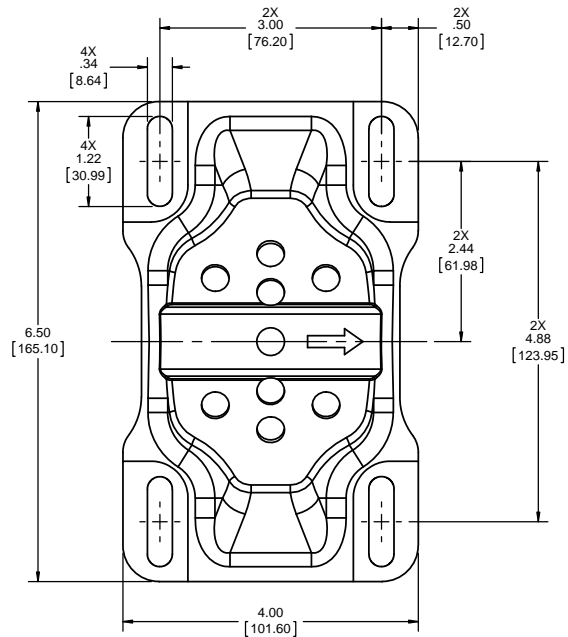


SECTION A-A



DRAWING REVISION A	REVISION BY D.VALENCIANO	DATE 11-30-2016	TOLERANCES UNLESS OTHERWISE SPECIFIED: DEC. INCH mm ANGLE .X ±0.1 [±2.5] 0.5° .XX ±0.02 [±0.51] .XXX ±0.005 [±0.127] .XXXX ±0.0005 [±0.0127] REMOVE BURRS & BREAK SHARP EDGES: .003/.015 [0.076/.381] X 45° CORNER FILLETS: R.02 [51] MACHINED SURFACES: 125 /mm 3/2 mm SHOWN IN [BRACKETS]	DRAWN BY D.VALENCIANO	Regal Beloit America, Inc. DESCRIPTION OUTLINE 56FR,ODP,3-PHASE,RIGID
ECO-0113795	APPROVED BY	DATE	DATE 11-30-2016	APPROVED BY J.ORTEGA	
ECO DESCRIPTION NEW MODEL RELEASE			REFERENCE	DATE 11-30-2016	MATERIAL
<small>COPYRIGHT REGAL BELOIT AMERICA, INC. ALL RIGHTS RESERVED. PROPRIETARY AND CONFIDENTIAL INFORMATION - THIS DOCUMENT IS THE PROPERTY OF REGAL BELOIT AMERICA, INC. FORMERLY AND CONTAINS OWNER'S PROPRIETARY INFORMATION. ANY PERSON, CORPORATION OR OTHER FIRM RECEIVING IT IS DEEMED, BY RECEIVING IT, TO AGREE THAT IT, AND/OR ANY PART OF IT, SHALL NOT BE DISCLOSED TO ANY PERSON, CORPORATION OR OTHER ENTITY, DUPLICATED, AND/OR USED, EXCEPT AS EXPRESSLY APPROVED IN WRITING IN ADVANCE BY OWNER. THIS DOCUMENT SHALL BE RETURNED TO OWNER UPON REQUEST. IT MAY BE SUBJECT TO CERTAIN RESTRICTIONS UNDER APPLICABLE EXPORT CONTROL LAWS AND REGULATIONS.</small>			THIRD ANGLE PROJECTION	SIZE C	PROCESS FINISH
			DRAWING NUMBER OL56100209-001	SHEET 1 OF 1	