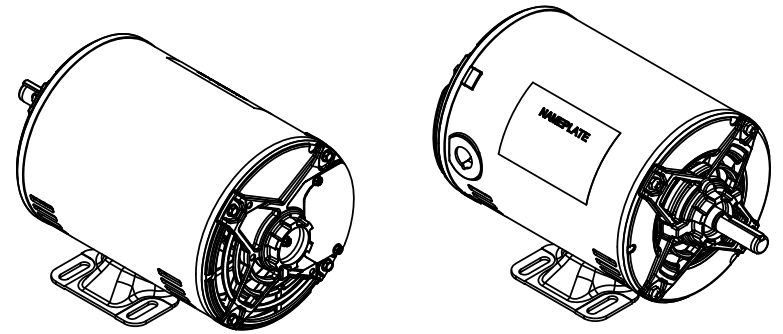
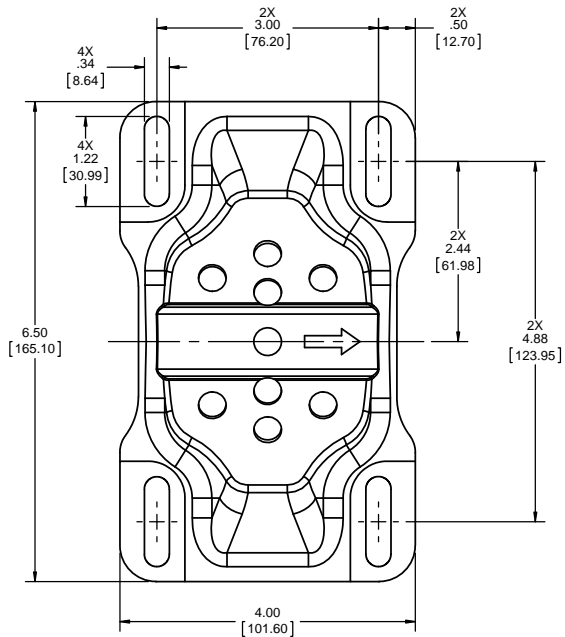



SECTION A-A



DRAWING REVISION A		REVISION BY R.ZAMARRON	DATE 12-12-2016	TOLERANCES UNLESS OTHERWISE SPECIFIED: DEC. INCH mm ANGLE		DRAWN BY R.ZAMARRON	 Regal Beloit America, Inc.
ECO-0114646		APPROVED BY	DATE	.X ±0.1 [±2.5]	°.5	DATE 12-12-2016	
NEW MODEL RELEASE		NEW MODEL RELEASE		.XX ±0.02 [±0.51]		APPROVED BY J.ORTEGA	MATERIAL
ECO DESCRIPTION		NEW MODEL RELEASE		.XXX ±0.005 [±0.127]		DATE 12-12-2016	PROCESS FINISH
<small>COPYRIGHT REGAL BELOIT AMERICA, INC. ALL RIGHTS RESERVED. PROPRIETARY AND CONFIDENTIAL INFORMATION - THIS DOCUMENT IS THE PROPERTY OF REGAL BELOIT AMERICA, INC. FORMERLY AND CONTAINS OWNERS PROPRIETARY INFORMATION. ANY PERSON, CORPORATION OR OTHER FIRM RECEIVING IT IS DEEMED, BY RECEIVING IT, TO AGREE THAT IT, AND/OR ANY PART OF IT, SHALL NOT BE DISCLOSED TO ANY PERSON, CORPORATION OR OTHER ENTITY, DUPLICATED, AND/OR USED, EXCEPT AS EXPRESSLY APPROVED IN WRITING IN ADVANCE BY OWNER. THIS DOCUMENT SHALL BE RETURNED TO OWNER UPON REQUEST. IT MAY BE SUBJECT TO CERTAIN RESTRICTIONS UNDER APPLICABLE EXPORT CONTROL LAWS AND REGULATIONS.</small>		REMOVE BURRS & BREAK SHARP EDGES: .003/.015 [0.076/.381] X 45° CORNER FILLETS: R.02 [51] MACHINED SURFACES: .125 /mm 3/2 INCH /mm		THIRD ANGLE PROJECTION	SIZE C	DRAWING NUMBER OL56100224-001	SHEET 1 OF 1