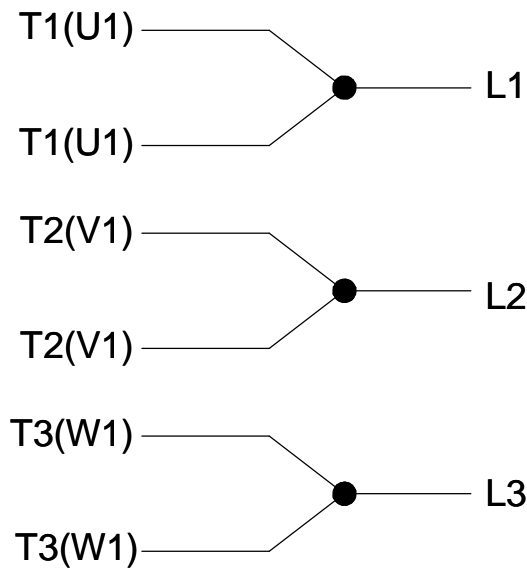
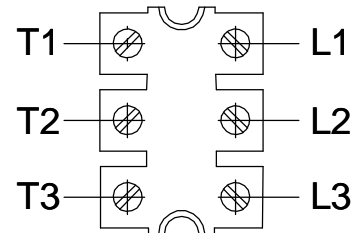


IF MOTOR HAS 6 LEADS

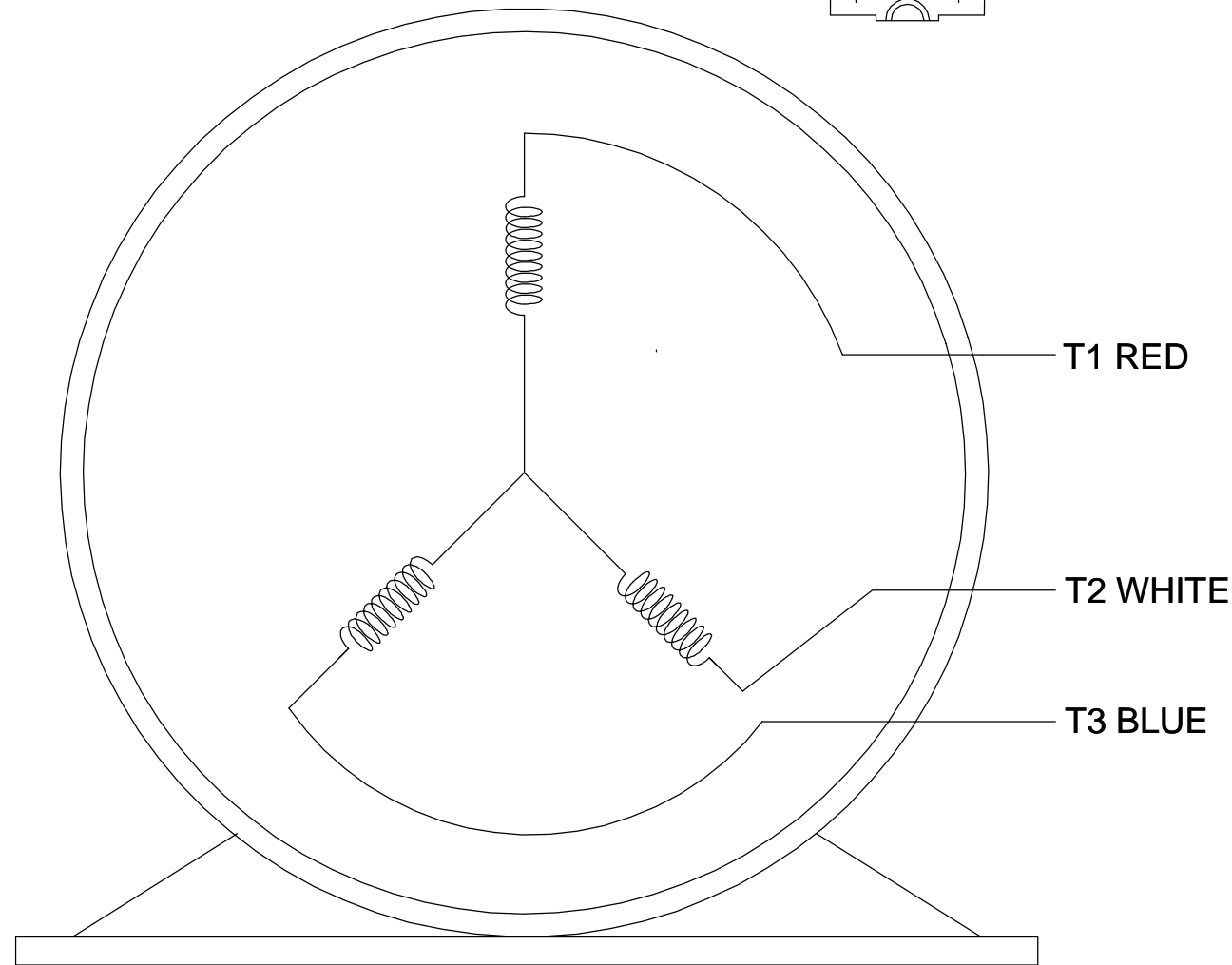
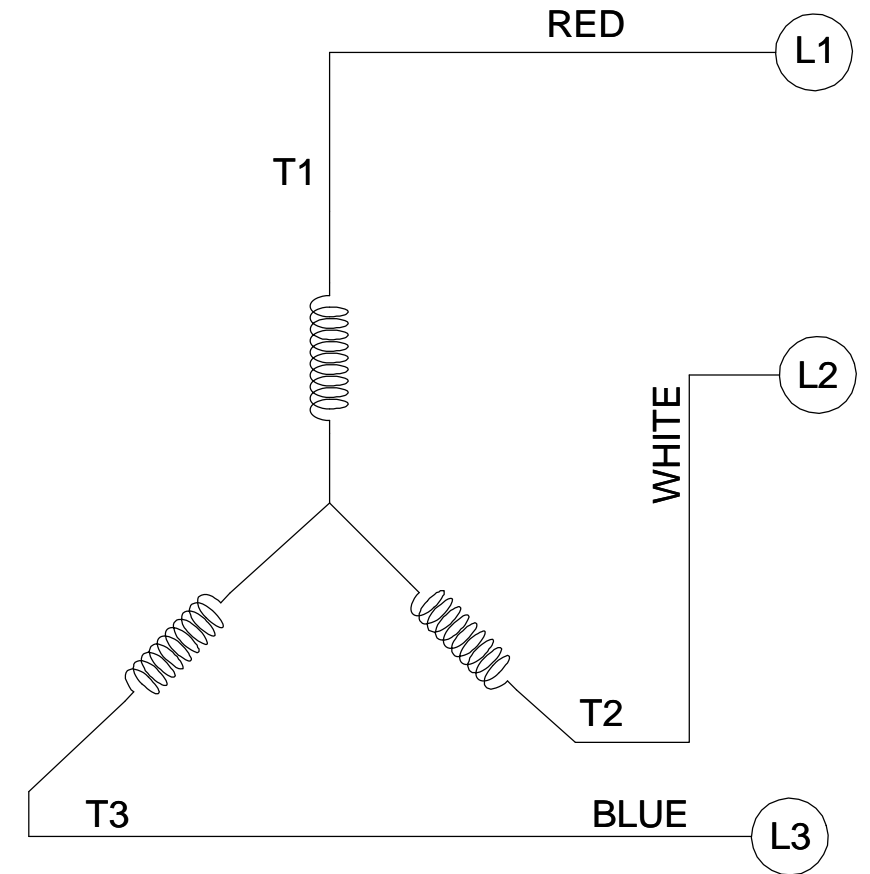


A- 9806 DECAL

TERMINAL BLOCK WHEN SPECIFIED



CCW HIGH VOLTAGE



VIEW OF TERMINAL END

NOTES:

1. TO REVERSE ROTATION, INTERCHANGE ANY TWO LINE CONNECTIONS TO L1, L2, OR L3.
2. CONNECTION DIAGRAM-NAMEPLATE: DD10040-001.

DRAWING REVISION A	REVISION BY G. RODRIGUEZ	DATE 03-20-2018
ECO ECO-0142578	APPROVED BY J. A. MORENO	DATE 03-20-2018
ECO DESCRIPTION NEW RELEASE		
<small>COPYRIGHT REGAL BELOIT AMERICA, INC. ALL RIGHTS RESERVED. PROPRIETARY AND CONFIDENTIAL INFORMATION - THIS DOCUMENT IS THE PROPERTY OF REGAL BELOIT AMERICA, INC. ("OWNER") AND CONTAINS OWNER'S PROPRIETARY INFORMATION. ANY PERSON, CORPORATION OR OTHER FIRM RECEIVING IT IS DEEMED, BY RECEIVING IT, TO AGREE THAT IT, AND/OR ANY PART OF IT, SHALL NOT BE DISCLOSED TO ANY PERSON, CORPORATION OR OTHER ENTITY, DUPLICATED, AND/OR USED, EXCEPT AS EXPRESSLY APPROVED IN WRITING IN ADVANCE BY OWNER. THIS DOCUMENT SHALL BE RETURNED TO OWNER UPON REQUEST. IT MAY BE SUBJECT TO CERTAIN RESTRICTIONS UNDER APPLICABLE EXPORT CONTROL LAWS AND REGULATIONS.</small>		

TOLERANCES UNLESS OTHERWISE SPECIFIED:		
DEC.	INCH	mm
.X	±0.1	[±2.5]
.XX	±0.01	[±0.25]
.XXX	±0.005	[±0.127]
.XXXX	±0.0005	[±0.0127]
REMOVE BURRS & BREAK SHARP		
EDGES: .003/.015 [.076/.381]		
CORNER FILLETS: .02 [.51]		
MACHINED SURFACES: 125 ^{3.2} /mm ⁵ /INCH		
mm SHOWN IN [BRACKETS]		

DRAWN BY G. RODRIGUEZ	DATE 03-20-2018
APPROVED BY J. A. MORENO	DATE 03-20-2018
REFERENCE SKT52A105383CA	THIRD ANGLE PROJECTION

REGAL ™ Regal Beloit America, Inc.	
DESCRIPTION CONN DIAGRAM-EXTERNAL	
MATERIAL	PROCESS/FINISH
SIZE B	DRAWING NUMBER CDTS112
SHEET 1 OF 1	