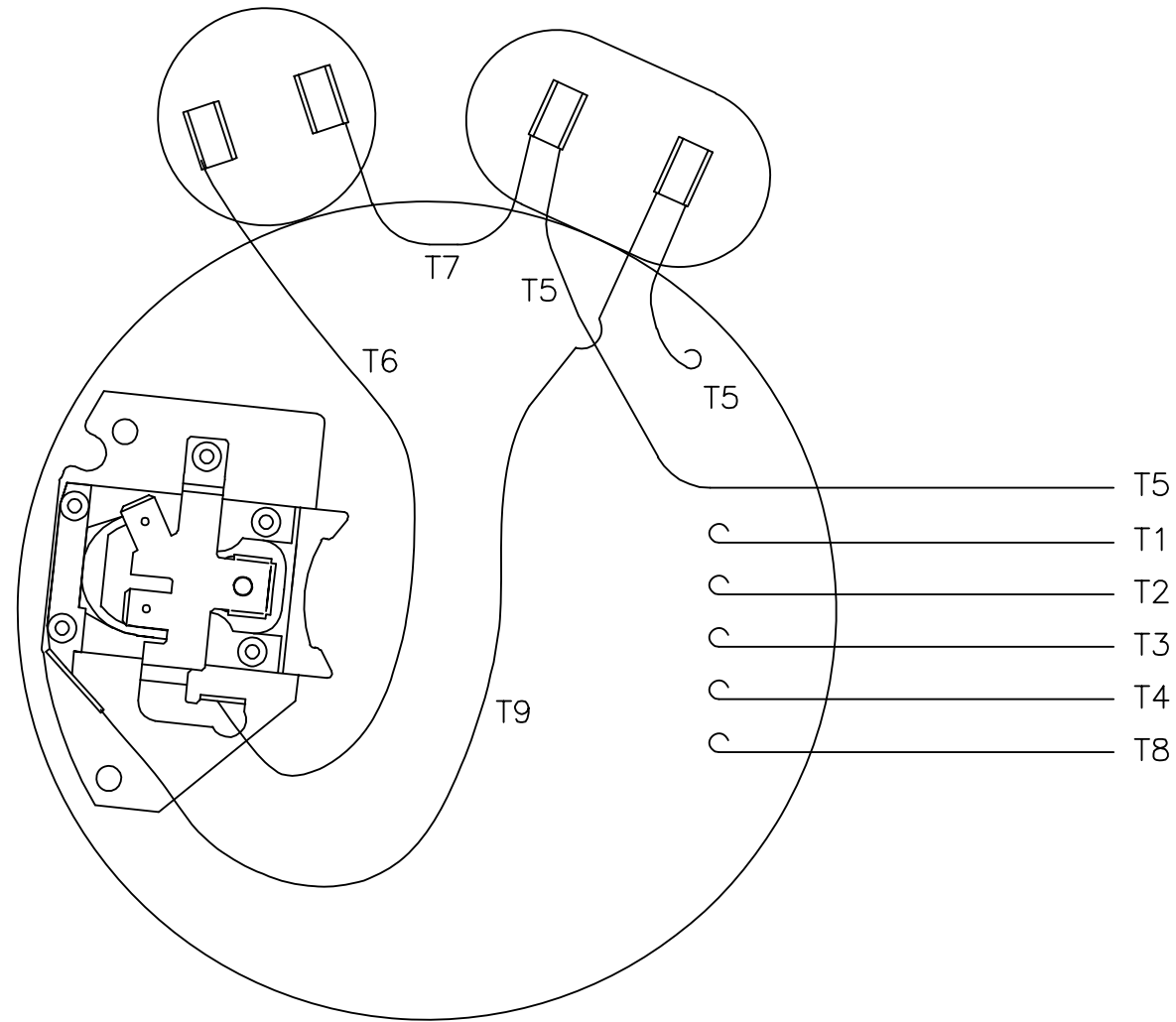
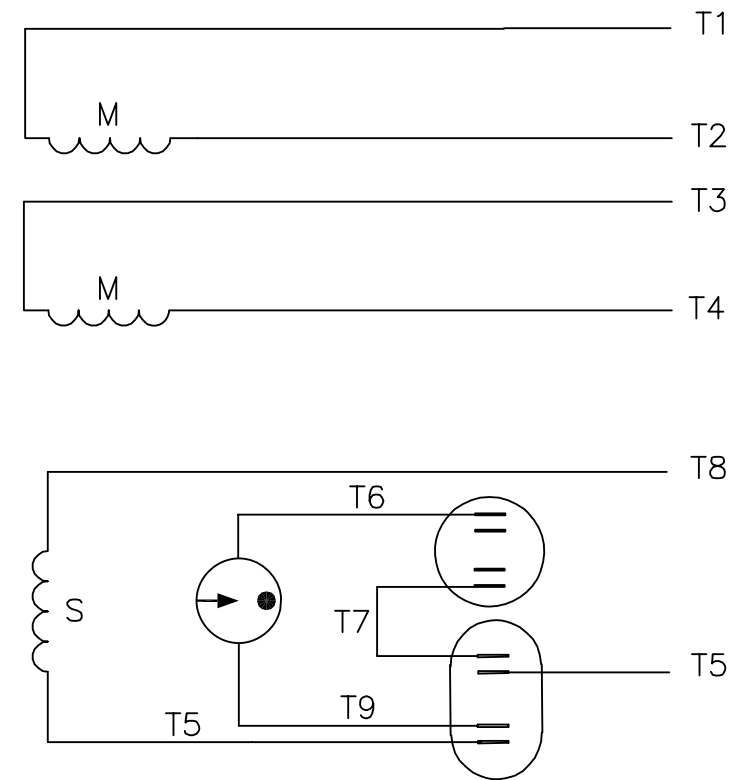


005054-15-REGAL

VIEW FROM OUTSIDE OF MOTOR AT SWITCH END.



LINE LEADS



	ROTATION FACING LEAD END	L1	L2	JOIN
HIGH VOLT	C.C.W.	T1	T4 T5	T2,T3 T8
	C.W.	T1	T4 T8	T2,T3 T5
LOW VOLT	C.C.W.	T1 T3,T8	T2,T4 T5	
	C.W.	T1,T3 T5	T2,T4 T8	

TOLERANCES  
UNLESS SPECIFIED

DEC.	INCHES
.X	±.1
.XX	±.01
.XXX	±.005
.XXXX	±.0005
ANG	±1/2°



Regal Beloit America, Inc.

DRAWN JAH 11/21/14

CHK

APPD

TITLE EXTERNAL WIRING DIAGRAM  
TYPE "K" W/O PROTECTOR

SCALE 1=1

REF 005054-01

MAT'L. DECAL 004012

FMF 102368.00

NO. REVISION BY & DATE

CHK ANG

FINISH

RFP CAD FILE 005054-15-REGAL

SIZE

DRAWING NO.

REV.

THIS DRAWING IN DESIGN AND DETAIL IS OUR PROPERTY AND MUST NOT BE USED EXCEPT  
IN CONNECTION WITH OUR WORK ALL RIGHTS OF DESIGN AND INVENTION ARE RESERVED  
THIS IS AN ELECTRONICALLY GENERATED DOCUMENT - DO NOT SCALE THIS PRINT

DIST

005054-15-REGAL

A

005054-15-REGAL