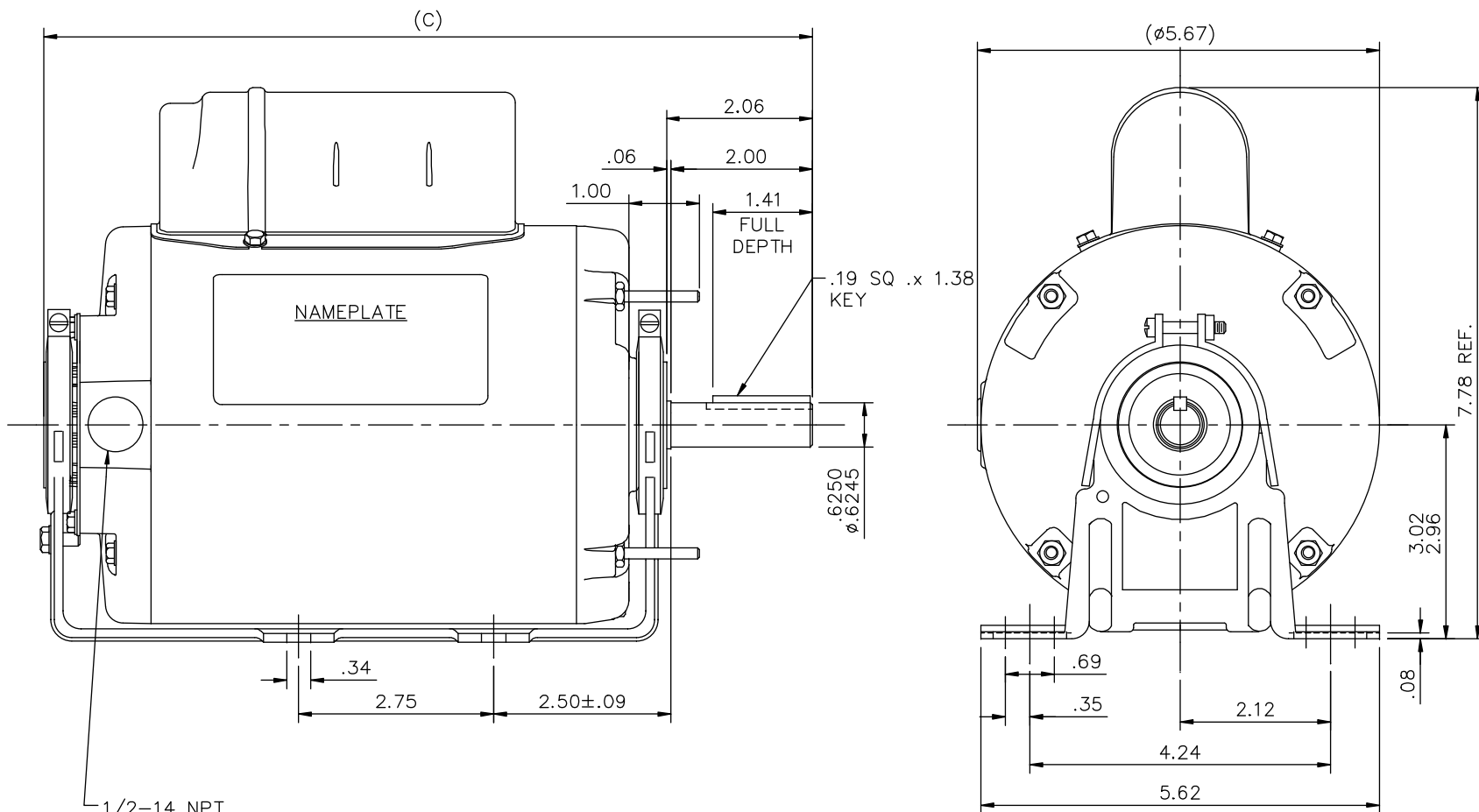


TERM. END



1/2-14 NPT
CONDUIT HOLE (PLUGGED)

DASH NO.	"C"
550	10.31
600	10.81
650	11.31
700	11.81

TOLERANCES
UNLESS SPECIFIED

DEC.	INCHES
.X	±.1
.XX	±.03
.XXX	±.005
.XXXX	±.0005
ANG	±1/2'



ELECTRIC MOTORS
GEARMOTORS
AND DRIVES

DRAWN	PST 07/12/2013
CHK	SM 07/12/2013
APPD	
SCALE	1:1
REF	031775
FMF	A099836.00
PREV	

TITLE
OUTLINE - 48 FRAME
RESILIENT MOUNT - TENV

MAT'L.
1 PHASE

NO.	REVISION	BY & DATE	CHK	ANG	FINISH

THIS DRAWING IN DESIGN AND DETAIL IS OUR PROPERTY AND MUST NOT BE USED EXCEPT IN CONNECTION WITH OUR WORK ALL RIGHTS OF DESIGN AND INVENTION ARE RESERVED THIS IS AN ELECTRONICALLY GENERATED DOCUMENT - DO NOT SCALE THIS PRINT

RFP	CAD FILE	SS404025	SIZE	DRAWING NO.	REV.
DIST			A	SS404025	