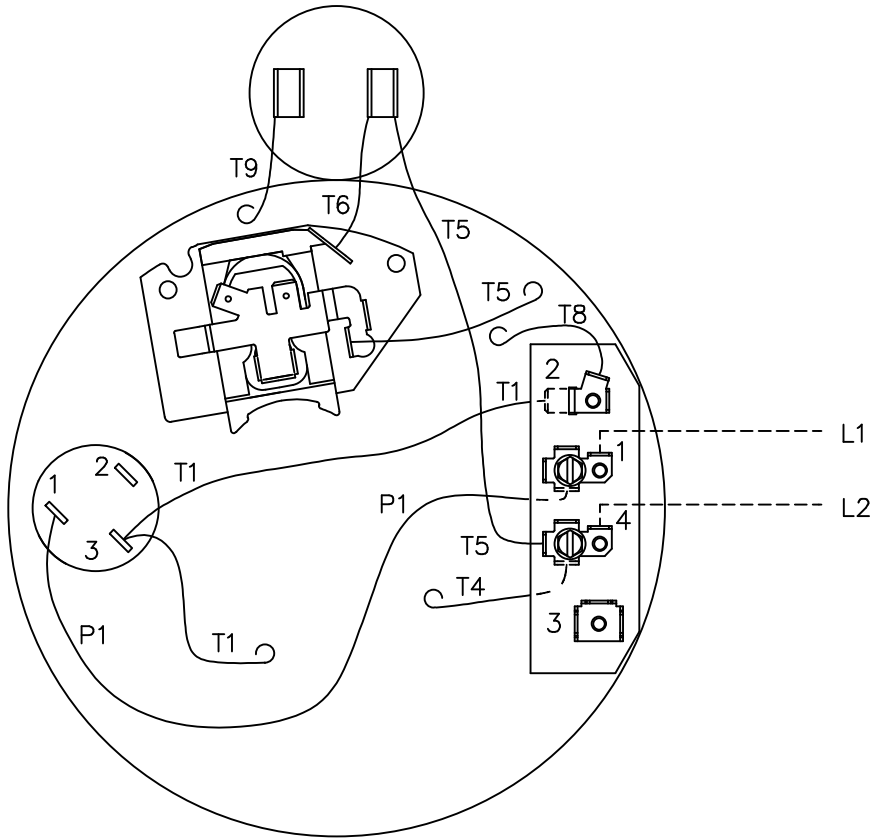
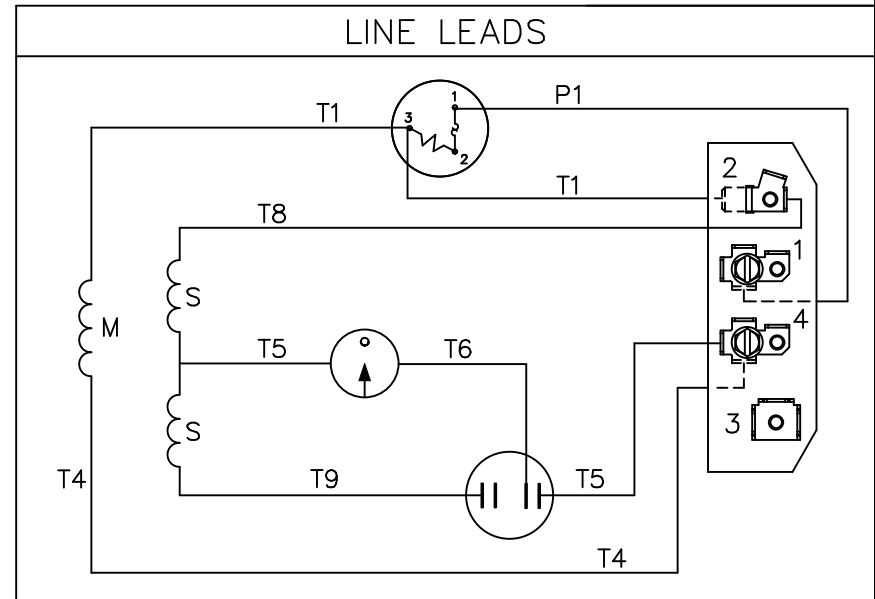


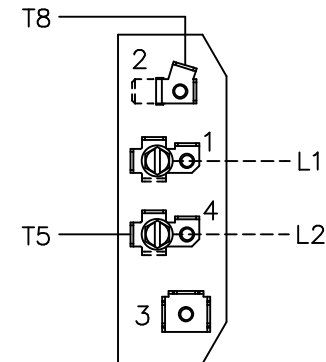
VIEW FROM OUTSIDE OF MOTOR AT SWITCH END.



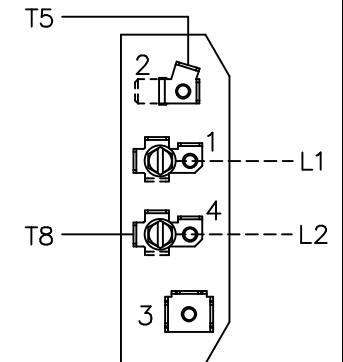
P1, T1, T4 TO GO TO  
BACK SIDE OF TERMINAL BOARD



C.C.W.L.E. ROTATION



C.W.L.E. ROTATION



|     |          | TOLERANCES UNLESS SPECIFIED |        |
|-----|----------|-----------------------------|--------|
|     |          | DEC.                        | INCHES |
|     |          | .X                          | ±.1    |
|     |          | .XX                         | ±.01   |
|     |          | .XXX                        | ±.005  |
|     |          | .XXXX                       | ±.0005 |
| NO. | REVISION | BY & DATE                   | CHK    |

|        |  |                  |
|--------|--|------------------|
|        | ELECTRIC MOTORS<br>GEARMOTORS<br>AND DRIVES              | DRAWN PG 2/23/04 |
|        |  | CHK              |
|        |  | APPD             |
|        | TITLE<br>EXTERNAL WIRING DIAGRAM<br>TYPE "K" W/PROTECTOR | SCALE 1=1        |
|        | MAT'L.<br>SINGLE VOLTAGE - DUAL ROTATION                 | REF 005326-01    |
| FINISH |  | FMF 101405.00    |
|        |  | PREV             |

|  |  |      |                   |        |                       |      |
|--|--|------|-------------------|--------|-----------------------|------|
| THIS DRAWING IN DESIGN AND DETAIL IS OUR PROPERTY AND MUST NOT BE USED EXCEPT IN CONNECTION WITH OUR WORK ALL RIGHTS OF DESIGN AND INVENTION ARE RESERVED THIS IS AN ELECTRONICALLY GENERATED DOCUMENT - DO NOT SCALE THIS PRINT |  | RFP  | CAD FILE 00532602 | SIZE A | DRAWING NO. 005326-02 | REV. |
|  |  | DIST |                   |        |                       |      |

ERROR: undefined  
OFFENDING COMMAND: de

STACK:

```
{/@FL --where-- --not-- {--pop-- --end-- --end-- }{--pop-- }--ifelse-- }  
/suspend  
-dictionary-  
/Pscript_WinNT_Compat  
-dictionary-
```