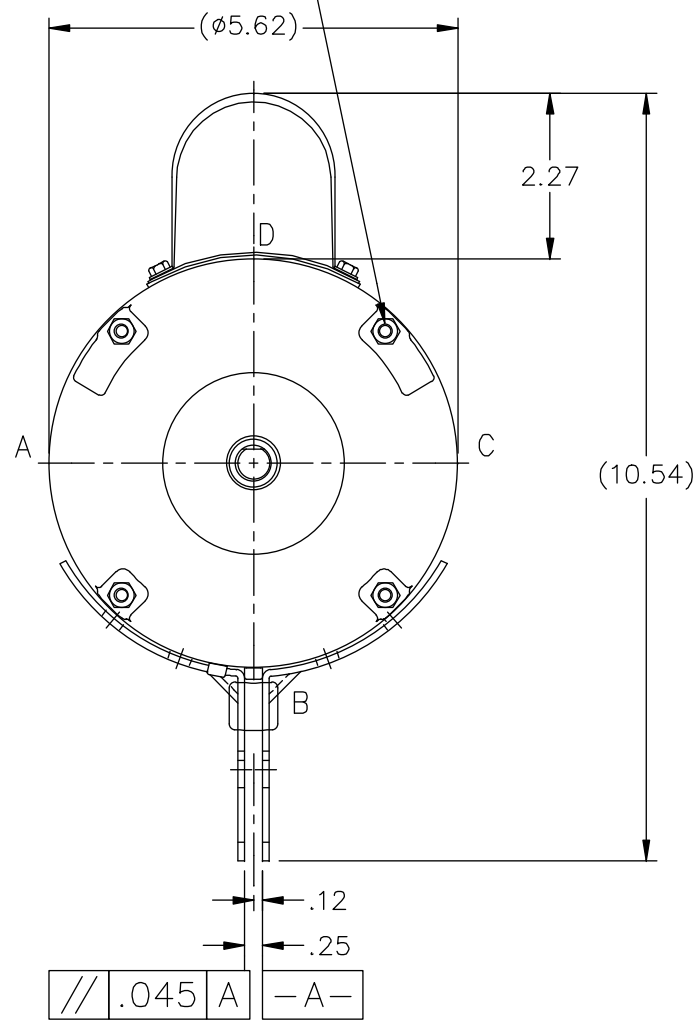
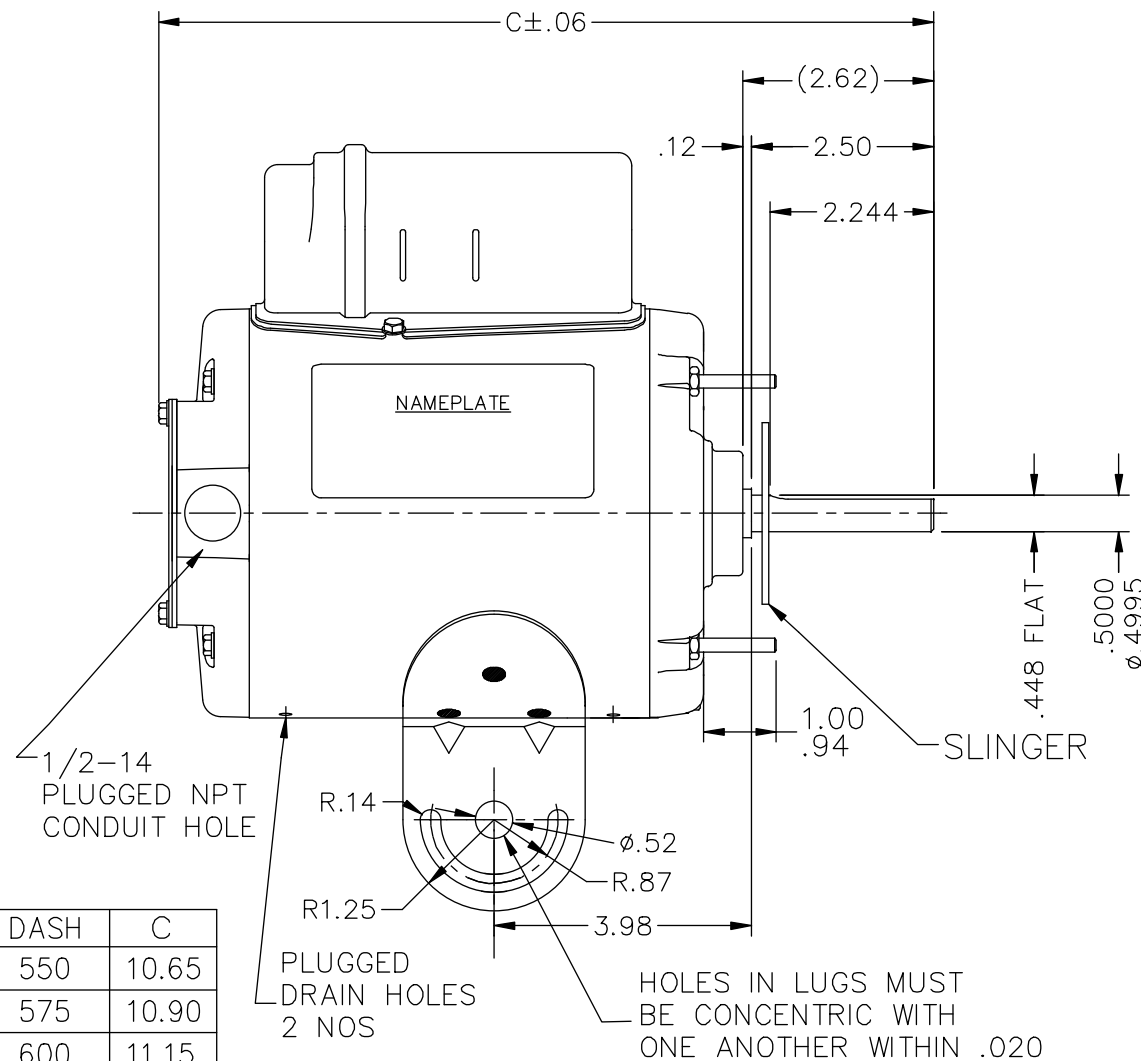


SS404046

10-32 UNF 2A THRU BOLTS  
(4) REQ'D. ON A Ø5.125 B.C.



DASH	C
550	10.65
575	10.90
600	11.15
625	11.40

PLUGGED DRAIN HOLES  
2 NOS

HOLES IN LUGS MUST  
BE CONCENTRIC WITH  
ONE ANOTHER WITHIN .020

GASKETS THROUGHOUT

				TOLERANCES UNLESS SPECIFIED		LEESON	ELECTRIC MOTORS GEARMOTORS AND DRIVES	DRAWN KR 12/06/13			
				DEC.	INCHES			CHK VS 12/06/13			
				.X	±.1	TITLE OUTLINE - 48 FRAME ENCLOSED	SCALE 1:1	APPD			
				.XX	±.03			REF SS403994LE	FMF MU115972		
				.XXX	±.005			PREV			
				.XXXX	±.0005						
				ANG	±1/2'						
NO.	REVISION	BY & DATE	CHK	ANG	FINISH	CAD FILE	SS404046	SIZE A	DRAWING NO. SS404046	REV.	
				RFP							
				DIST							

THIS DRAWING IN DESIGN AND DETAIL IS OUR PROPERTY AND MUST NOT BE USED EXCEPT IN CONNECTION WITH OUR WORK ALL RIGHTS OF DESIGN AND INVENTION ARE RESERVED THIS IS AN ELECTRONICALLY GENERATED DOCUMENT - DO NOT SCALE THIS PRINT