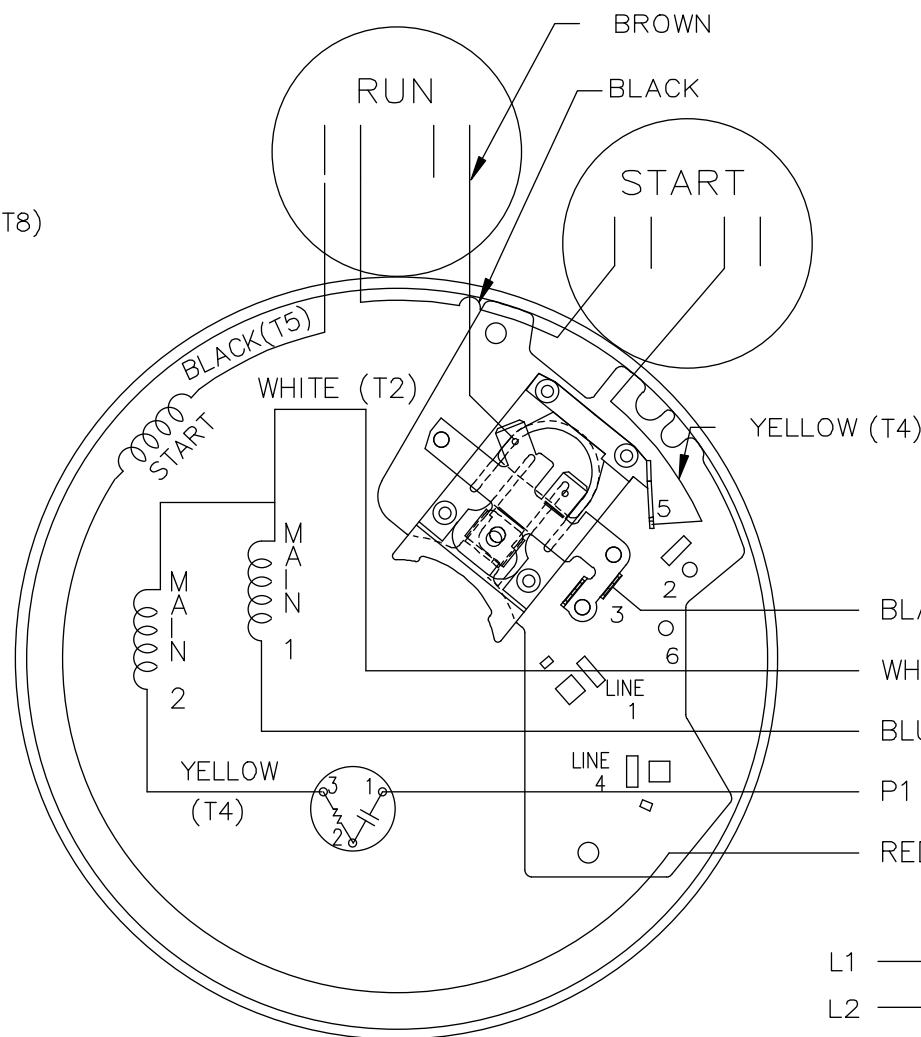
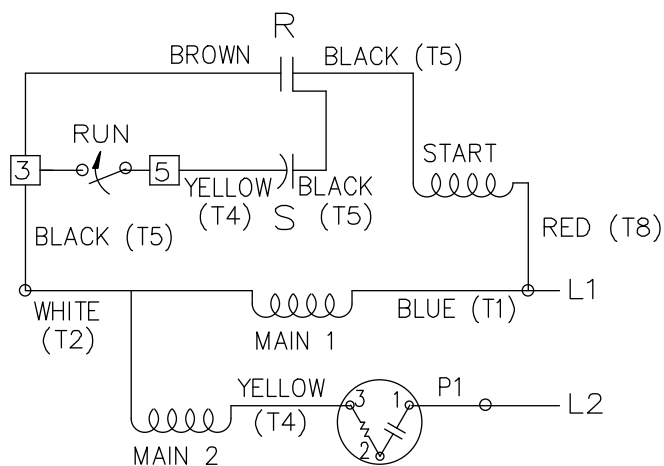
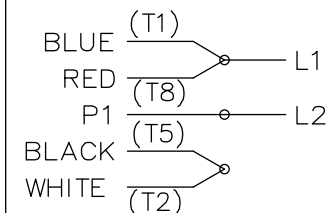


HIGH VOLTAGE C.C.W.

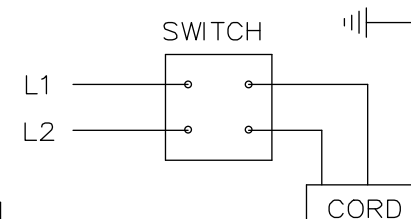


HIGH VOLTAGE CAPACITOR START OVERLOAD SELECT ROTATION.

HIGH VOLTAGE C.C.W. ROTATION



FOR C.W. ROTATION INTERCHANGE RED(T8) AND BLACK(T5) LEADS



NOTE: USE T TERMINALS WHEN CALLED IN BOM

		TOLERANCES UNLESS SPECIFIED		LEESON	ELECTRIC MOTORS GEARMOTORS AND DRIVES	DRAWN HLB 04-28-2004						
		DEC.	INCHES			CHK ML 05-04-2004						
		.X	± -	TITLE CONNECTION DIAGRAM	APPD GK 05-04-2004	SCALE 5=8						
		.XX	± -			REF						
		.XXX	± -			FMF CN 38017						
		.XXXX	± -			PREV						
01	ADDED T TERMINAL	UD	09/27/13	MA	.XXXX	± -	MAT'L.					
NO.	REVISION	BY & DATE	CHK	ANG	± -	FINISH						
THIS DRAWING IN DESIGN AND DETAIL IS OUR PROPERTY AND MUST NOT BE USED EXCEPT IN CONNECTION WITH OUR WORK ALL RIGHTS OF DESIGN AND INVENTION ARE RESERVED THIS IS AN ELECTRONICALLY GENERATED DOCUMENT - DO NOT SCALE THIS PRINT				RFP	CAD FILE 102006_58_le			SIZE	DRAWING NO.	PAGE	OF	REV.
				DIST				A	102006-58-LE			01