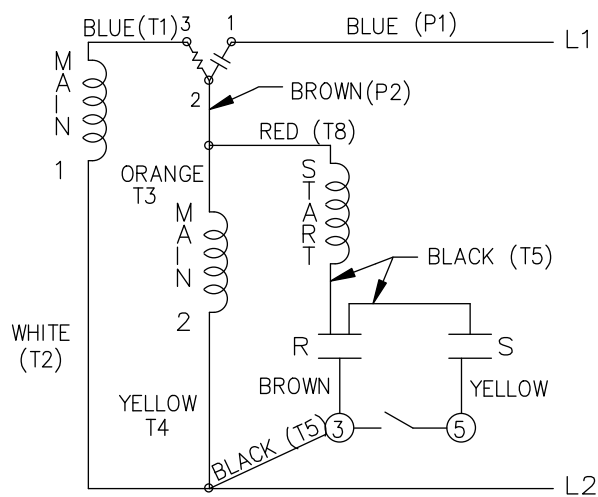
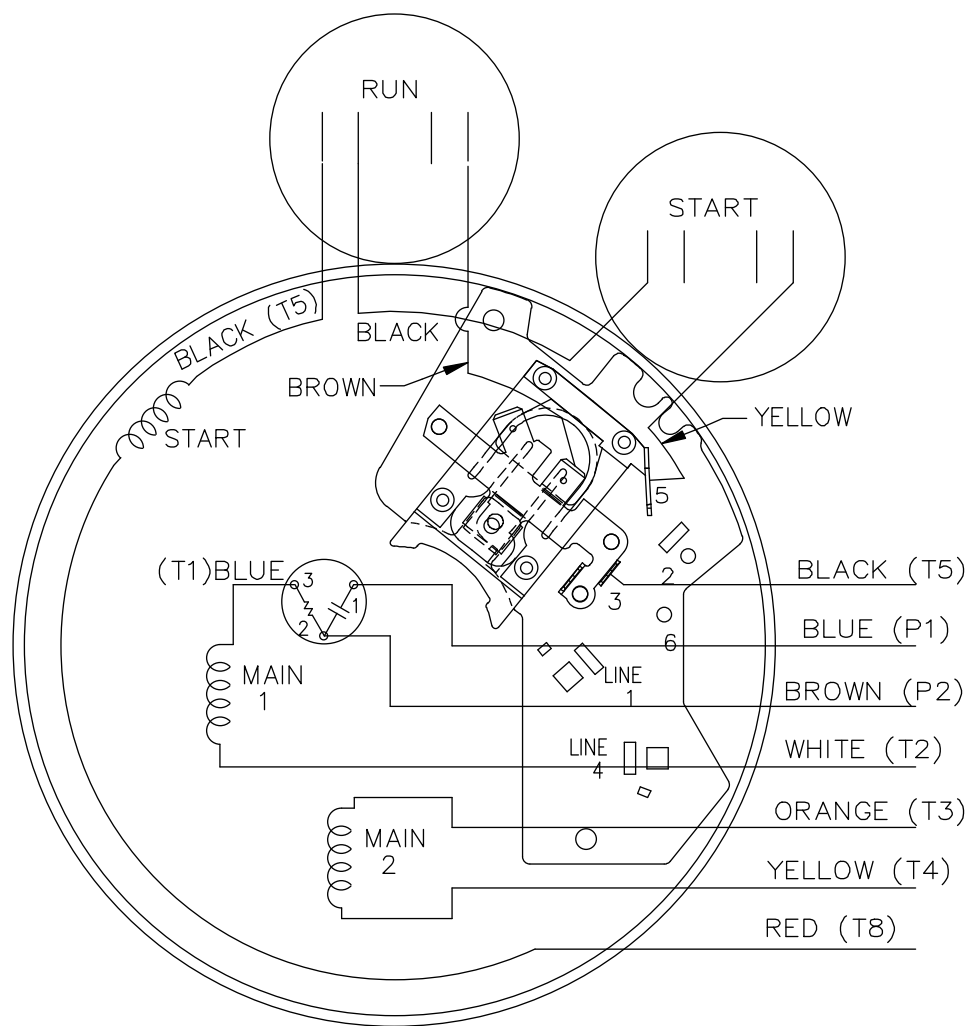
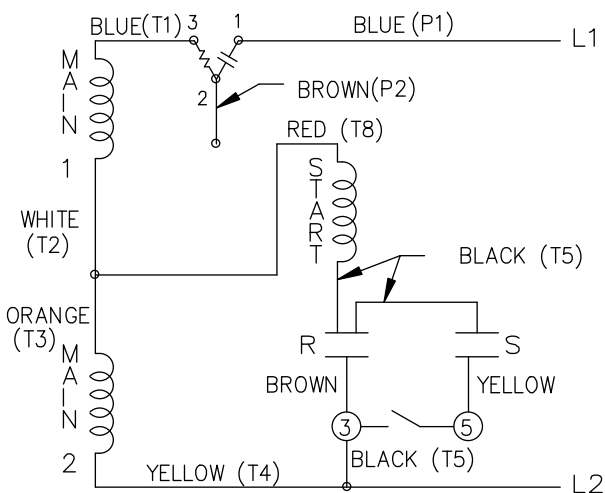


102006-85LE

LOW VOLTAGE C.C.W.



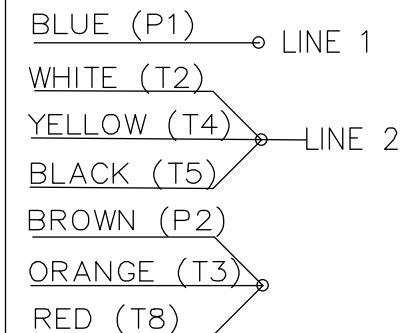
HIGH VOLTAGE C.C.W.



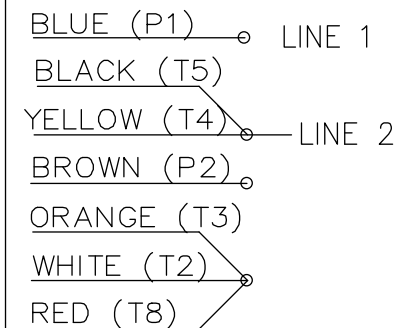
NOTE: USE P & T TERMINALS WHEN CALLED IN BOM

DUAL VOLTAGE
CAP. START-CAP. RUN
OVERLOAD SELECT
ROTATION.


LOW VOLT. CCW ROT.



HIGH VOLT. CCW ROT.



FOR CW ROT. EITHER
VOLTAGE INTERCHANGE
RED(T8) WITH BLACK(T5) LEAD.

		TOLERANCES UNLESS SPECIFIED		 ELECTRIC MOTORS GEARMOTORS AND DRIVES	DRAWN	VS 1/28/10					
		DEC.	INCHES		CHK						
		.X	±.1		APPD	VS 1/28/10					
		.XX	±.02		SCALE	5=8					
		.XXX	±.005		REF	102006-85					
01	ADDED P & T TERMINALS	UD	09/27/13	SKM	.XXXX	±.0005	MAT'L.	FMF			
NO.	REVISION	BY & DATE	CHK	ANG	±7'30"	FINISH		PREV			
THIS DRAWING IN DESIGN AND DETAIL IS OUR PROPERTY AND MUST NOT BE USED EXCEPT IN CONNECTION WITH OUR WORK ALL RIGHTS OF DESIGN AND INVENTION ARE RESERVED THIS IS AN ELECTRONICALLY GENERATED DOCUMENT - DO NOT SCALE THIS PRINT				RFP	CAD FILE	102006-85LE	SIZE	DRAWING NO.	PAGE	OF	REV.
				DIST	WP		A	102006-85LE			01