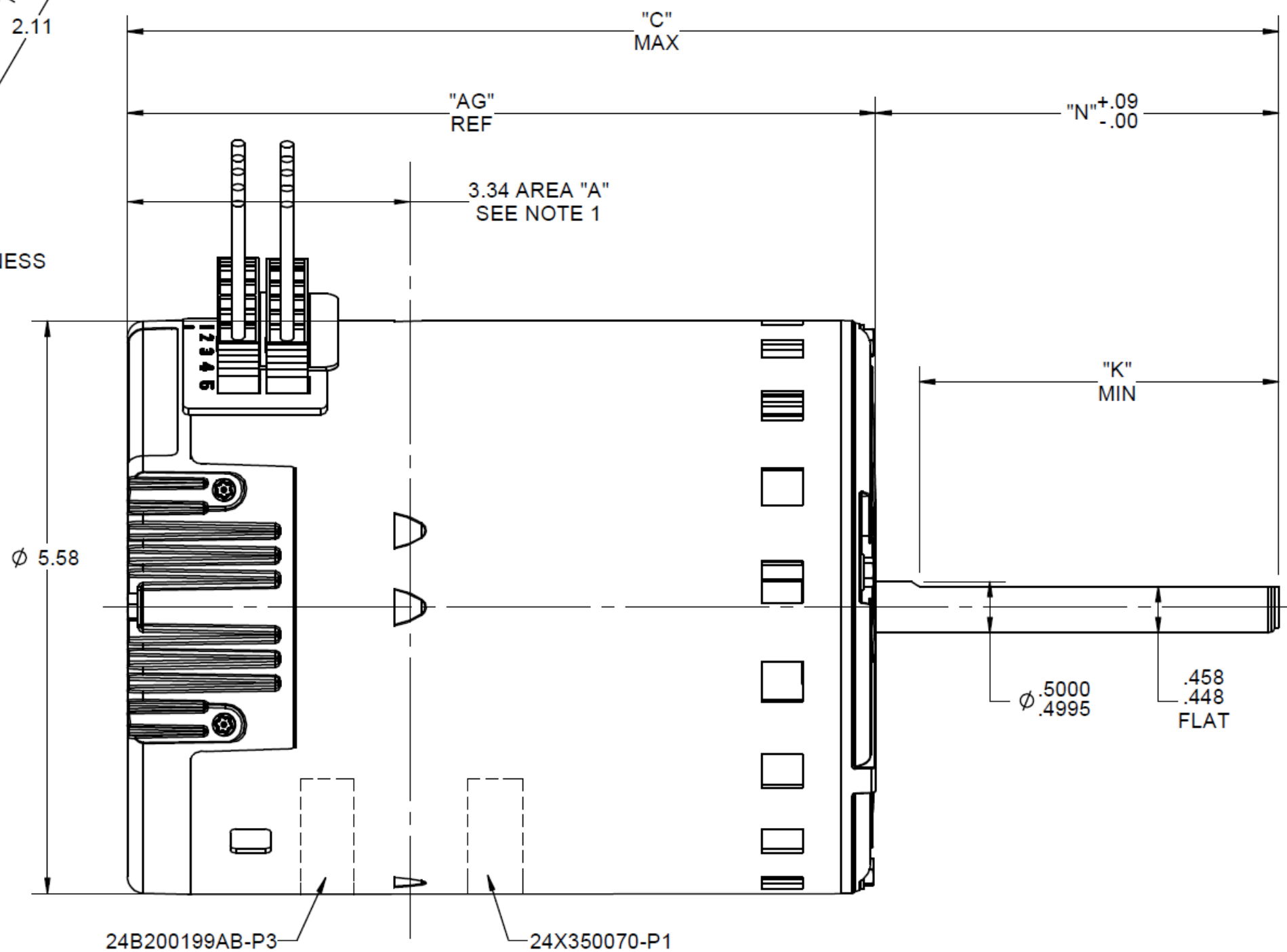
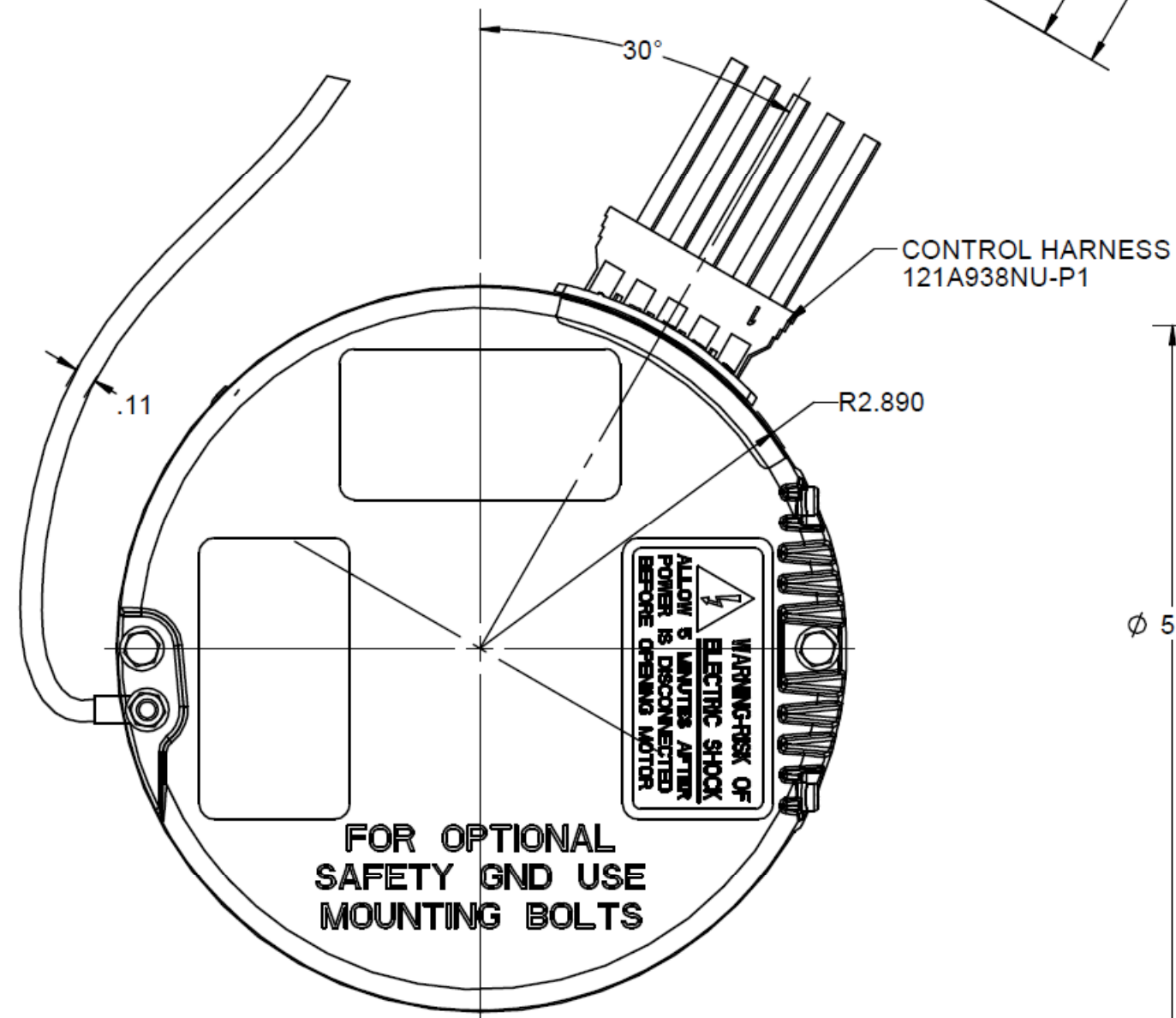
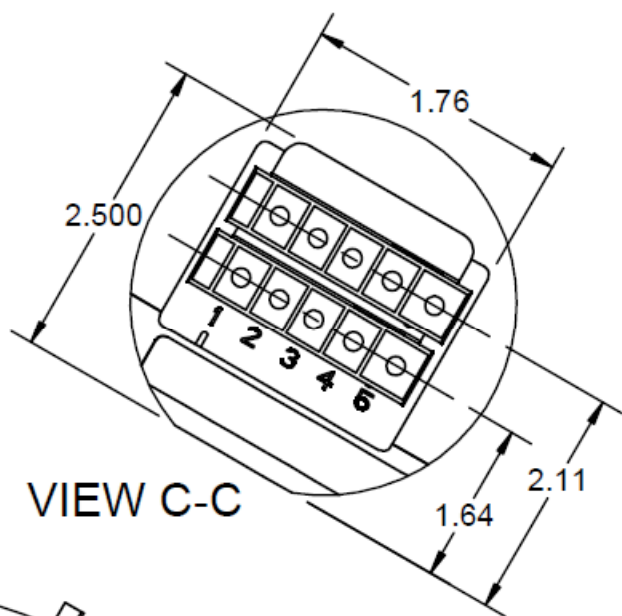


- NOTE:
1. BELLY BAND MUST NOT BE PLACED WITHIN AREA "A"
  2. APPROXIMATE WEIGHT IS 19.0 LB
  3. CONTROL LEAD HARNESS SHOWN IS TO BE ATTACHED TO MOTOR BY CUSTOMER



NAMEPLATE DATA	
MODEL	5SME39SXL111
CUSTOMER	DEF PUR
CPN/STOCK NO.	STOCK NO 6010
H.P.	1
RPM	1075
VOLTS	115/230
HZ	60/50
AMPS	11.0/6.7
ROTATION	CCW/CW

12.76	4.92	4.50	7.84
C	N	K	AG

DRAWING REVISION	REVISION BY	DATE
D	KEP	12/20/2017
ECO	APPROVED BY	DATE
ECO-0135539	ANDREA	12/20/2017

ECO DESCRIPTION  
**REDRAWN IN SW WITH NEW REGAL TEMPLATE**  
COPYRIGHT REGAL BELOIT AMERICA, INC. ALL RIGHTS RESERVED. PROPRIETARY AND CONFIDENTIAL INFORMATION - THIS DOCUMENT IS THE PROPERTY OF REGAL BELOIT AMERICA, INC. ("OWNER") AND CONTAINS OWNER'S PROPRIETARY INFORMATION. ANY PERSON, CORPORATION OR OTHER FIRM RECEIVING IT IS DEEMED, BY RECEIVING IT, TO AGREE THAT IT, AND/OR ANY PART OF IT, SHALL NOT BE DISCLOSED TO ANY PERSON, CORPORATION OR OTHER ENTITY, DUPLICATED, AND/OR USED, EXCEPT AS EXPRESSLY APPROVED IN WRITING IN ADVANCE BY OWNER. THIS DOCUMENT SHALL BE RETURNED TO OWNER UPON REQUEST. IT MAY BE SUBJECT TO CERTAIN RESTRICTIONS UNDER APPLICABLE EXPORT CONTROL LAWS AND REGULATIONS.

TOLERANCES UNLESS OTHERWISE SPECIFIED:

DEC.	INCH	mm	ANGLE
.X	±0.1	[±2.5]	±0.5°
.XX	±0.03	[±0.76]	
.XXX	±0.005	[±0.127]	
.XXXX	±0.0005	[±0.0127]	

REMOVE BURRS & BREAK SHARP EDGES: .003/.015 [076/.381] X 45°  
 CORNER FILLETS: R.02 [51]  
 MACHINED SURFACES: 125/ INCH 3.2/ mm

mm SHOWN IN [BRACKETS]

DRAWN BY	GEETHA
DATE	08/28/08
APPROVED BY	GEETHA
DATE	08/28/08
REFERENCE	
THIRD ANGLE PROJECTION	

**REGAL**™ Regal Beloit America, Inc.

DESCRIPTION  
**OUTLINE**  
 EVERGREEN IM 1HP, 115 OR 230V

MATERIAL PROCESS/FINISH

SIZE **B** DRAWING NUMBER **5SME39SXL111** SHEET 1 OF 1