

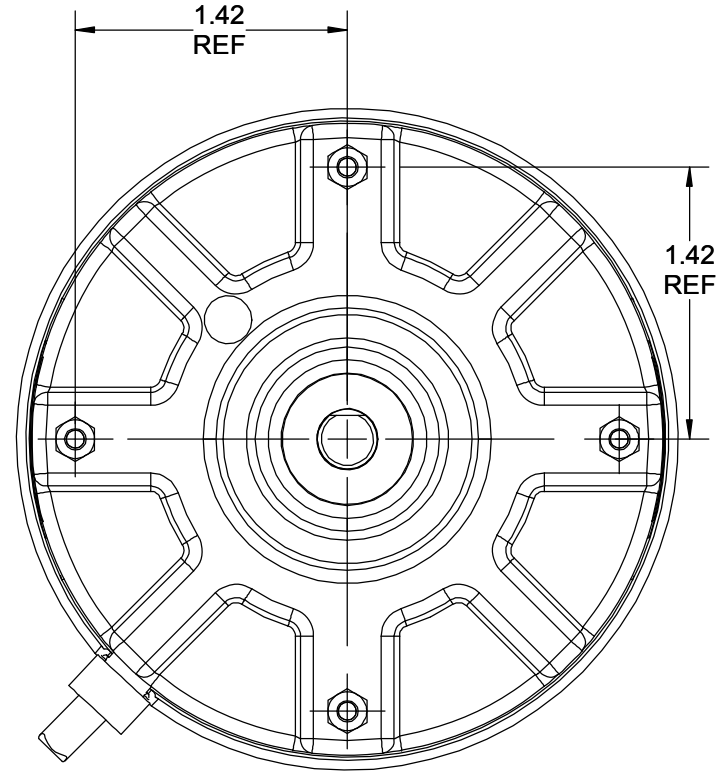
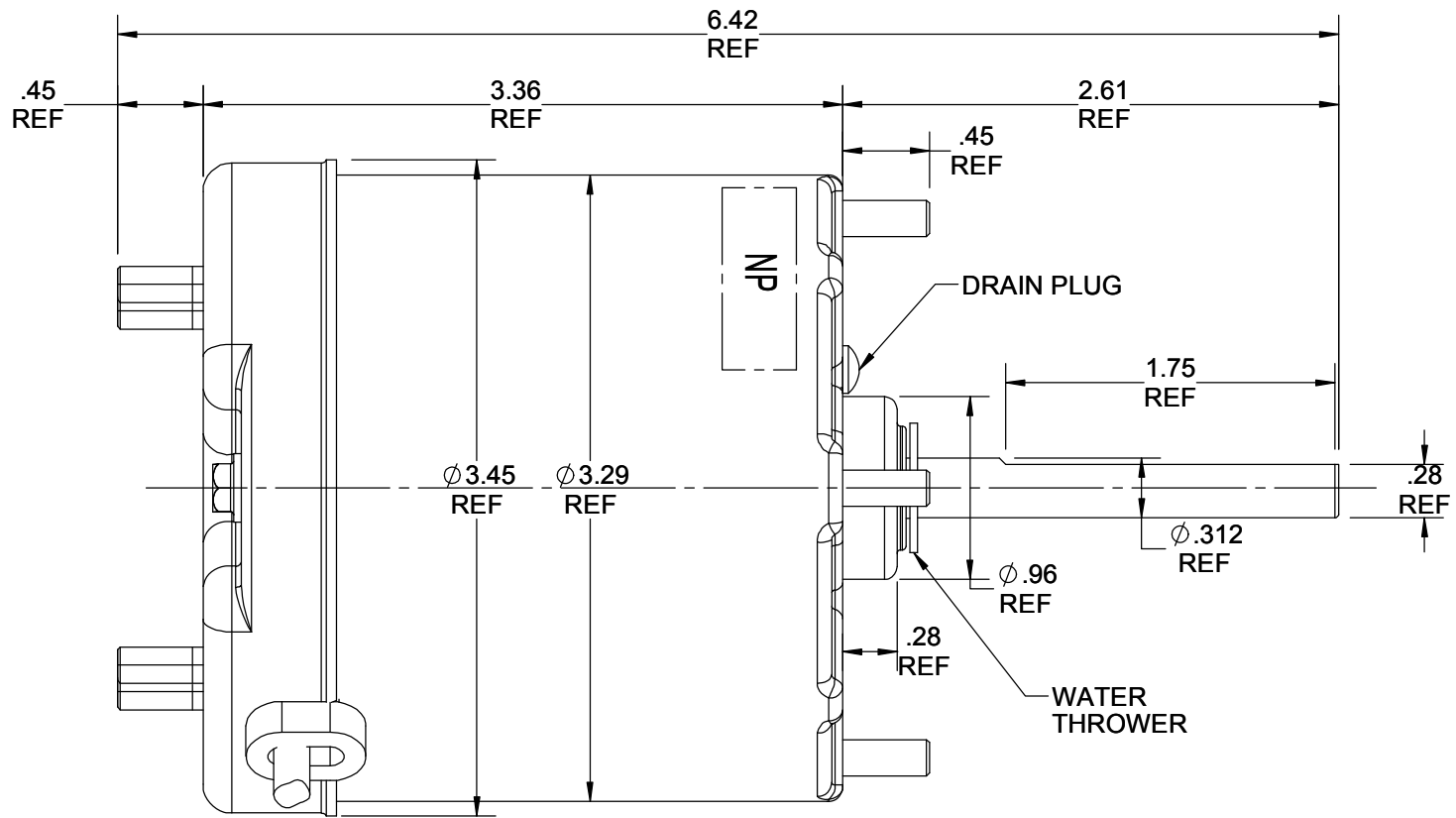
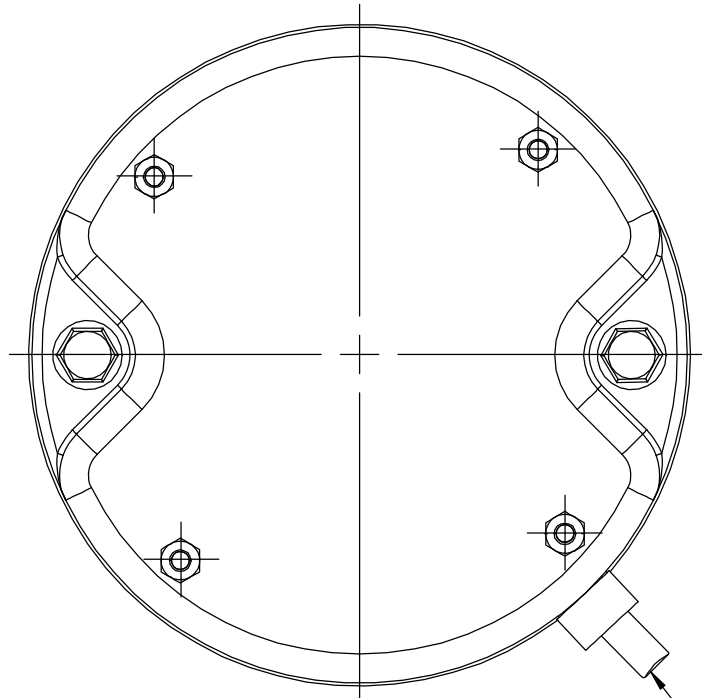
4 3 2 1

B

A

B

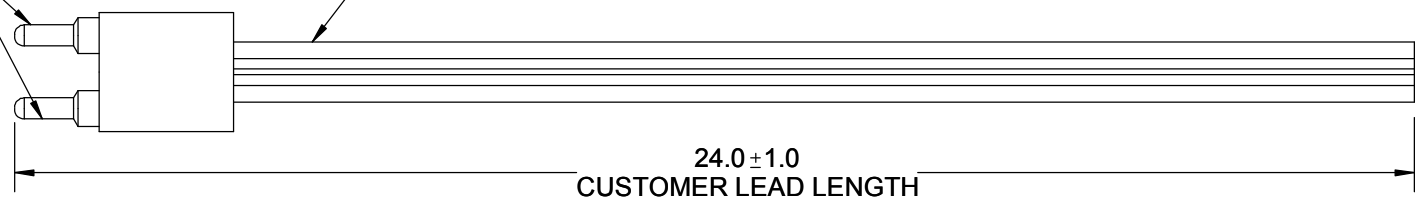
A



CW ROTATION
REF

CORD SET
ASSEMBLY

1 PH POWER SUPPLY



NOTES:

1. DIM SHOWN ARE NOMINAL UNLESS/OTHERWISE SPECIFIED
2. APPROXIMATE WEIGHT IS 2.96 LBS.
3. COLOR OF THE LABEL IS WHITE.

| NAMEPLATE DATA | |
|----------------|----------------|
| MODEL | 5SME59BVA1036 |
| CUSTOMER | MORRILL MOTORS |
| CUSTOMER P/N | STOCK NO 5100A |
| HP | 1/15 |
| RPM | 1550 |
| VOLTS | 115 |
| HZ | 60/50 |
| AMPS | 1.1 |
| ROTATION | CW |
| MTG. POSITION | HOR OR VSD |

| | | |
|---|--------------------------|-------------------|
| DRAWING REVISION E | REVISION BY HANNA.ZOU | DATE 12-5-2017 |
| ECO ECO-0135181 | APPROVED BY JOSH | DATE 12-5-2017 |
| ECO DESCRIPTION ADDED NUT | | |
| <small>COPYRIGHT REGAL BELOIT AMERICA, INC. ALL RIGHTS RESERVED. PROPRIETARY AND CONFIDENTIAL INFORMATION - THIS DOCUMENT IS THE PROPERTY OF REGAL BELOIT AMERICA, INC. ("OWNER") AND CONTAINS OWNER'S PROPRIETARY INFORMATION. ANY PERSON, CORPORATION OR OTHER FIRM RECEIVING IT IS DEEMED, BY RECEIVING IT, TO AGREE THAT IT, AND/OR ANY PART OF IT, SHALL NOT BE DISCLOSED TO ANY PERSON, CORPORATION OR OTHER ENTITY, DUPLICATED, AND/OR USED, EXCEPT AS EXPRESSLY APPROVED IN WRITING IN ADVANCE BY OWNER. THIS DOCUMENT SHALL BE RETURNED TO OWNER UPON REQUEST. IT MAY BE SUBJECT TO CERTAIN RESTRICTIONS UNDER APPLICABLE EXPORT CONTROL LAWS AND REGULATIONS.</small> | | |

| | | | |
|---|---------|-----------|-------|
| TOLERANCES UNLESS OTHERWISE SPECIFIED: | | | |
| DEC. | INCH | mm | ANGLE |
| .X | ±0.1 | [±2.5] | ±0.5° |
| .XX | ±0.03 | [±0.76] | |
| .XXX | ±0.005 | [±0.127] | |
| .XXXX | ±0.0005 | [±0.0127] | |
| REMOVE BURRS & BREAK SHARP EDGES: .003/.015 [.076/.381] X 45° CORNER FILLETS: R.02 [.51] MACHINED SURFACES: 125 INCH 3.2 mm | | | |
| mm SHOWN IN [BRACKETS] | | | |

| |
|------------------------|
| DRAWN BY SVK |
| DATE 12/26/12 |
| APPROVED BY KEP |
| DATE 12/26/12 |
| REFERENCE - |
| THIRD ANGLE PROJECTION |

| | |
|---|--|
| REGAL ™ Regal Beloit America, Inc. | |
| DESCRIPTION OUTLINE 1/15 HP ARKTIC 59 VALUE LINE | |
| MATERIAL | PROCESS/FINISH |
| SIZE B | DRAWING NUMBER 5SME59BVA1036 |
| SHEET 1 OF 1 | |

4 3 2 1