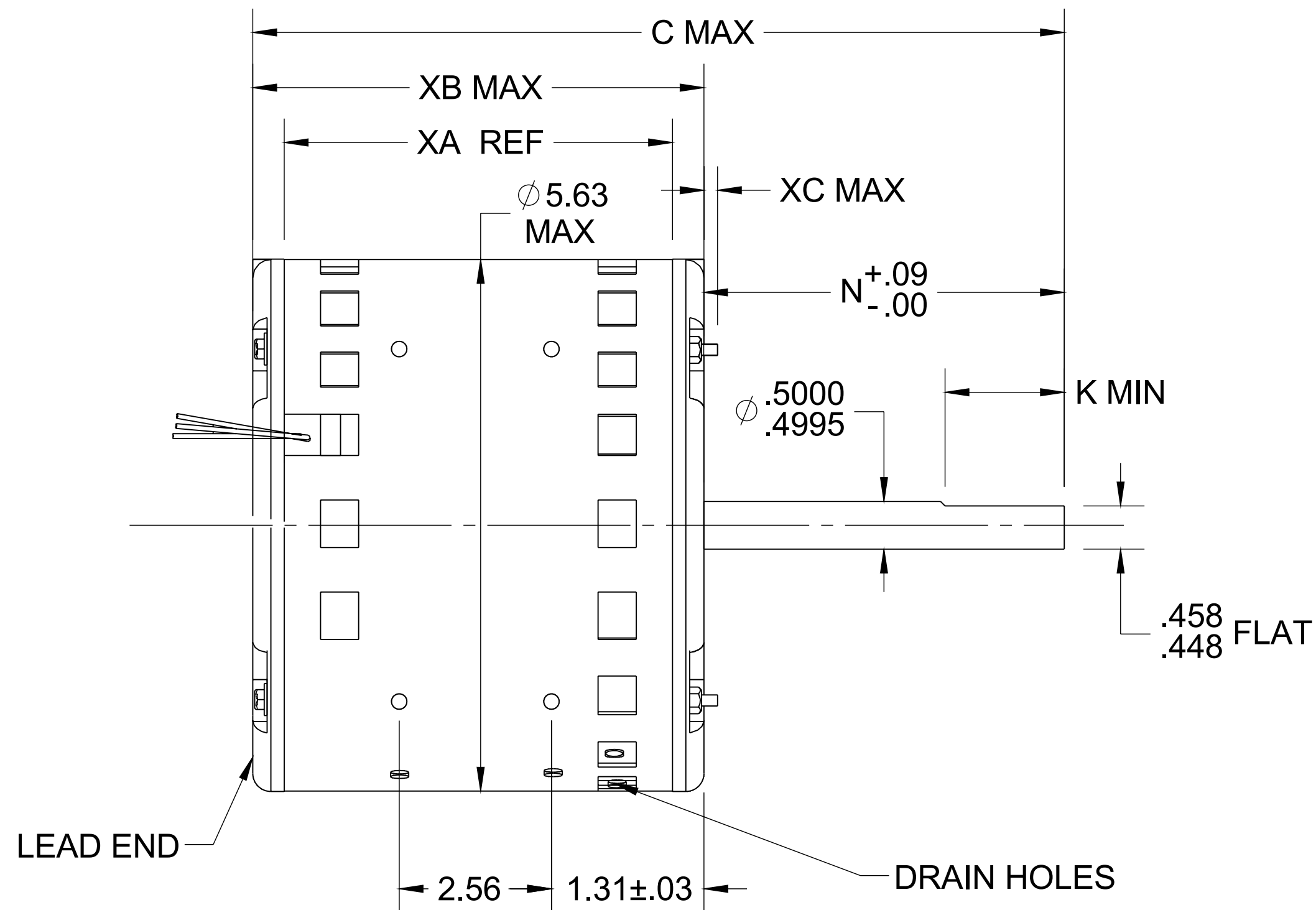
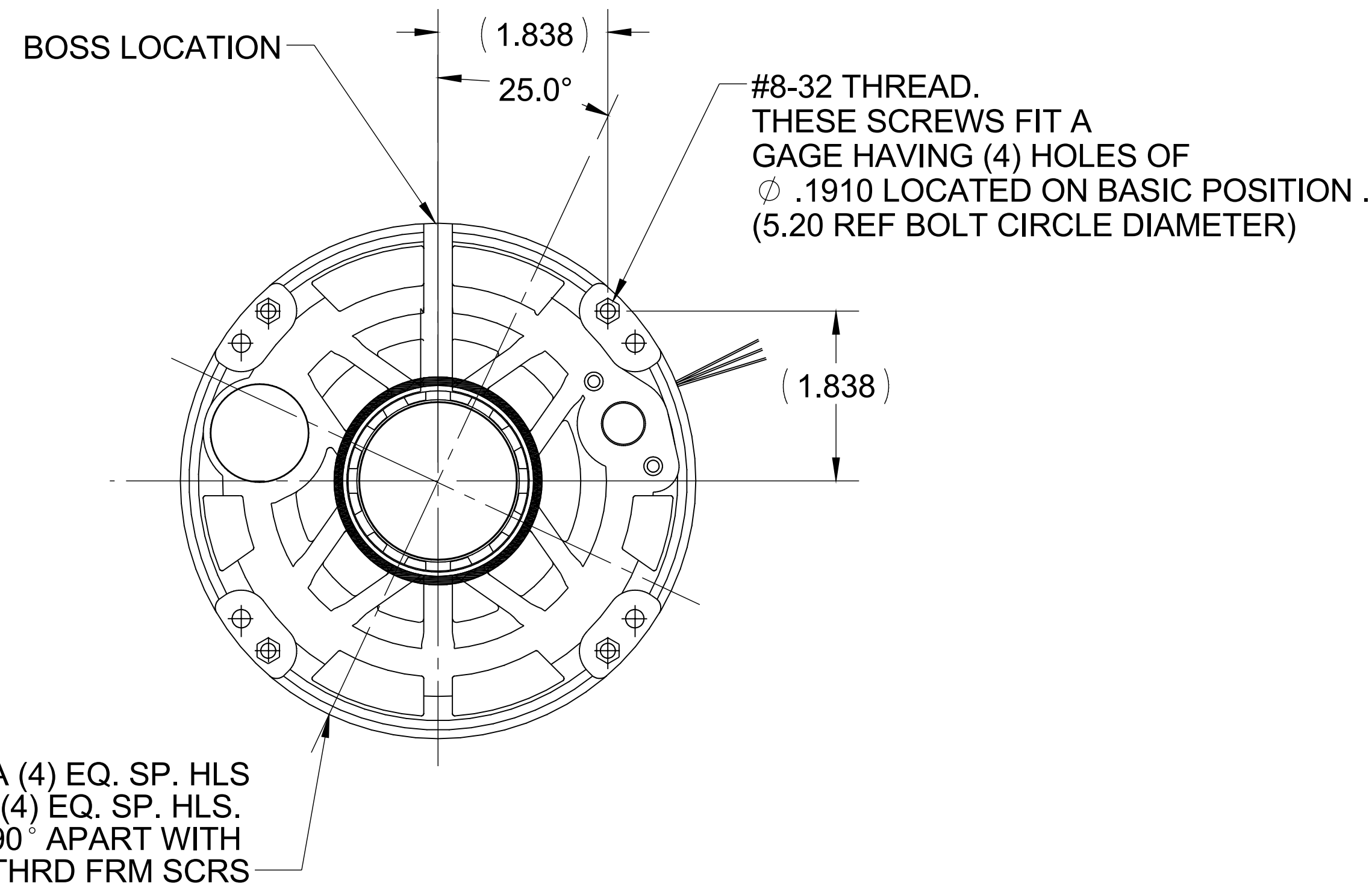


S.NO	CONNECTION	COLOR	EXIT TYPE	EXIT LOC (VIEWING LE)	GAGE	MATERIAL	WALL THK.	LENGTH	TERMINATION
1	DUAL VOLTAGE LEAD	YELLOW	SHELL NOTCH	2:20	18	EPDM	4/64	15.00	.25 MALE ISQC
2	CAPACITOR LEAD	BROWN	SHELL NOTCH	2:20	18	EPDM	4/64	15.00	.25 FQC
3	CAPACITOR LEAD	BROWN	SHELL NOTCH	2:20	18	EPDM	4/64	15.00	.25 FQC
4	DUAL VOLTAGE LEAD	PURPLE	SHELL NOTCH	2:20	18	EPDM	4/64	15.00	.25 MALE ISQC
5	HIGH SPEED LEAD	BLACK	SHELL NOTCH	2:20	18	EPDM	4/64	15.00	.25 FISQC LO INS FORCE
6	LOW SPEED LEAD	RED	SHELL NOTCH	2:20	18	EPDM	4/64	15.00	.25 FISQC LO INS FORCE

NAMEPLATE DATA	
MODEL	5KCP39NGY930S
CUST. P/N	STOCK NO 3S016
HP	1/3
RPM	900
VOLTS	200/230
HZ	50/60
SPEEDS	2
AMPS	2.00/2.80
CAP. REQ'D-D1	15.00µfd/370 Volts
CAP. REQ'D-D2	N/R
CONN.DRW#	NP24X327869
ROTATION	CCW (VIEW FROM LE)



- NOTE:
- 1) DIMENSIONS SHOWN ARE NOMINAL UNLESS OTHERWISE SPECIFIED.
 - 2) NAMEPLATE LABEL LOCATION : 90° - CENTER WITH RESPECT TO "0 " READ FROM LE.
 - 3) 8 SHELL MTG HLS.

VENTILATION SYSTEM	
SHELL VENTS	OPEN
ENDSHIELD (OPP.LEAD END)	OPEN
ENDSHIELD (LEAD END)	OPEN

DRAWING REVISION A	REVISION BY SN	DATE 09/16/2015
ECO ECO-0085225	APPROVED BY KEP	DATE 09/16/2015
ECO DESCRIPTION REDRAWN IN SD & UPDATED AS PER ECO#0085225		
<small>COPYRIGHT REGAL BELOIT AMERICA, INC. ALL RIGHTS RESERVED. PROPRIETARY AND CONFIDENTIAL INFORMATION - THIS DOCUMENT IS THE PROPERTY OF REGAL BELOIT AMERICA, INC. ("OWNER") AND CONTAINS OWNER'S PROPRIETARY INFORMATION. ANY PERSON, CORPORATION OR OTHER FIRM RECEIVING IT IS DEEMED, BY RECEIVING IT, TO AGREE THAT IT, AND/OR ANY PART OF IT, SHALL NOT BE DISCLOSED TO ANY PERSON, CORPORATION OR OTHER ENTITY, DUPLICATED, AND/OR USED, EXCEPT AS EXPRESSLY APPROVED IN WRITING IN ADVANCE BY OWNER. THIS DOCUMENT SHALL BE RETURNED TO OWNER UPON REQUEST. IT MAY BE SUBJECT TO CERTAIN RESTRICTIONS UNDER APPLICABLE EXPORT CONTROL LAWS AND REGULATIONS.</small>		

TOLERANCES UNLESS OTHERWISE SPECIFIED:			
DEC	INCH	mm	ANGLE
.X	±0.1	[±2.5]	±7' 30"
.XX	±0.03	[±0.76]	
.XXX	±0.005	[±0.127]	
.XXXX	±0.0005	[±0.0127]	
REMOVE BURRS & BREAK SHARP EDGES: .003/.015 [.076/.381]			
CORNER FILLETS: .02 [.51]			
MACHINED SURFACES: 200 INCH mm 5.1			
mm SHOWN IN [BRACKETS]			

DRAWN BY SN
DATE 09/16/2015
APPROVED BY KEP
DATE 09/16/2015
REFERENCE
THIRD ANGLE PROJECTION

Regal Beloit America, Inc.							
DESCRIPTION OUTLINE (CUST. NAME: DEF PUR)							
MATERIAL				PROCESS/FINISH			
SIZE B	DRAWING NUMBER 5KCP39NGY930S			SHEET 1 OF 1			

.14	N/A						
XC	XD						
7.31	2.00	1.50	N/A	N/A	N/A	4.57	5.23
C	N	K	XN	XK	LM	XA	XB