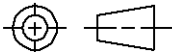
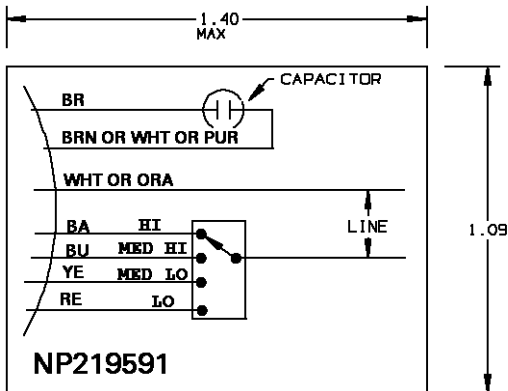


THIRD ANGLE PROJECTION

REVISIONS



REV	DESCRIPTION	DATE	APPROVED
8	SKM 6/23/81 REDRAWN		
9	CAS 2/28/81 ELEC FORMAT		
10	BKK11/21/12 CONVERTED TO RBC PER IS: 06-1777		



TYPE FACE: COLORS OR NUMBERS DENOTING LEAD IDENTIFICATION AND N.P. NUMBER ARE TO BE 18 POINT NEWS GOTHIC CONDENSED. OTHER INFORMATION SHOULD BE 18 POINT IF SPACE ALLOWS, OTHERWISE USE 14 POINT.

MATERIALS: 4 MIL WHITE VINYL ADHESIVE STOCK RBC SPEC A50FC41-51
 BLACK INK RBC SPEC A50FN48

NOTE: THE BOX LINES AND DIMENSIONS REPRESENT THE SIZE OF THE TAPE TO BE USED. DO NOT INCLUDE THESE IN STAMP FORMAT.

NOTE: THIS DRAWING WILL BE ELECTRONICALLY REPRODUCED BY THE HVAC FAN MOTOR NAMEPLATE SYSTEM.

UNLESS OTHERWISE SPECIFIED	SIGNATURES	DATE
DIMENSIONS ARE IN INCHES TOLERANCES ON:	DRAWN FA ROSS	11/11/80
6 PL DECIMALS ±	CHECKED	
3 PL DECIMALS ±	ENGRG	
ANGLES ±	ISSUED	
PRACTICES ±		
MATERIAL:		
APPLIC PRACTICES	CAD NO	

NAMEPLATE LABEL

SIZE A	FSCM NO	DWG NO NP219591
SCALE 3	SHEET 1 OF 1	

F39: XNPB

DISTR TO