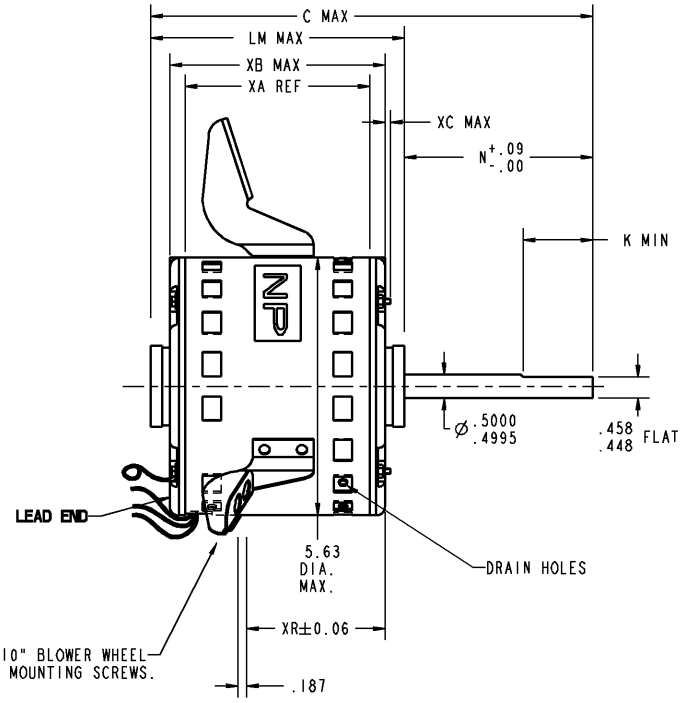
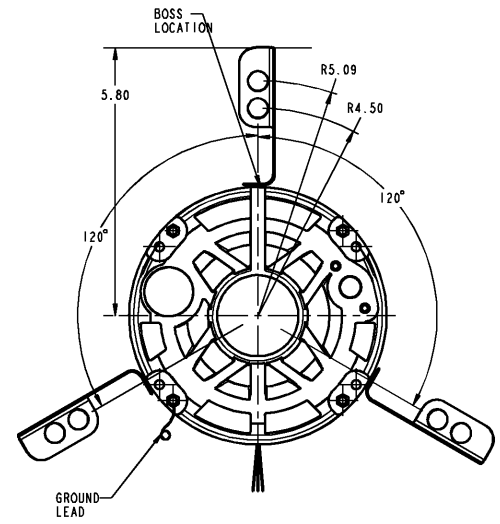


VENTILATION SYSTEM		
SHELL VENTS		OPEN
ENDSHIELD (OPP. LEAD END)		OPEN
ENDSHIELD (LEAD END)		OPEN

UNREPRODUCIBLE COPY
 This document is the property of REGAL-BELOIT CORPORATION ("RBC") including its subsidiaries and divisions and contains proprietary information of RBC. This document is loaned on the express condition that neither the information contained therein shall be disclosed to others without the express written consent of RBC, and that the information shall be used by the recipient only as approved expressly by RBC. This document shall be returned to RBC upon its request. This document may be subject to certain restrictions under U.S. export control laws and regulations.

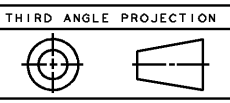
REVISIONS			
REV.	DESCRIPTION	DATE	APPROVED
0			



- NOTES:
1. THE THREE LUGS SHOULD FIT A CONICAL GAGE PLATE WITH THREE PINS .25 DIA LOCATED ON THE BASIC POSITIONS.
 2. MAX VARIATION BETWEEN ALL LUG MOUNTING SURFACES IS .040".
 3. DIMENSIONS SHOWN ARE NOMINAL UNLESS OTHERWISE SPECIFIED.

LUGS FOR 9/10" BLOWER WHEEL FOR .25 DIA MOUNTING SCREWS.

	N/A	3.00	N/A	N/A	.14	N/A	N/A
	XP	XR	XE	XF	XC	XD	YO
	8.14	3.50	2.80	N/A	N/A	4.56	3.07
	C	N	K	XN	XK	LM	XA



END	CONNECTION	COLOR	END TYPE	EXIT LOC (RECORD L)	QMS#	MATERIAL	WALL THK	LENGTH	TERMINATION
1	COMMON LEAD	PURPLE	SHELL NOTCH	6:00	18	THERMOPLASTIC	4/64	24.00	.25 SOC
2	CAPACITOR LEAD	BROWN	SHELL NOTCH	6:00	18	THERMOPLASTIC	4/64	12.00	.25 FOC
3	CAPACITOR LEAD	BROWN	SHELL NOTCH	6:00	18	THERMOPLASTIC	4/64	12.00	.25 FOC
4	HIGH SPEED LEAD	BLACK	SHELL NOTCH	6:00	18	THERMOPLASTIC	4/64	24.00	.25 SOC
5	LOW SPEED LEAD	RED	SHELL NOTCH	6:00	18	THERMOPLASTIC	4/64	24.00	.25 SOC
6	GROUND	GRN-YEL	CLAMP SCREW	7:30	18	THERMOPLASTIC	2/64	12.00	#10 U NON/INS

NAMEPLATE DATA	
MODEL	5KCP39CGY919S
CUST P/N	STOCK NO 35005
HP	1/5
RPM	1075
VOLTS	208-230
HZ	60
# SPEEDS	2
AMPS	1.70
CAP REQ'D-1	5.00µfd/370Volts
CAP REQ'D-2	N/R
CONN DRW#	WP24X327063
ROTATION	CCW (VIEWED FROM LE)

REGAL-BELOIT CORPORATION
 FORTWAYNE, INDIANA

TITLE: **MOTOR OUTLINE**
 (CUSTOMER NAME : DEF PUR)

SIZE B DRAWING NO. **5KCP39CGY919S** REV 0

SCALE: NO ISSUED: 8/11/08 SHEET 1 of 1