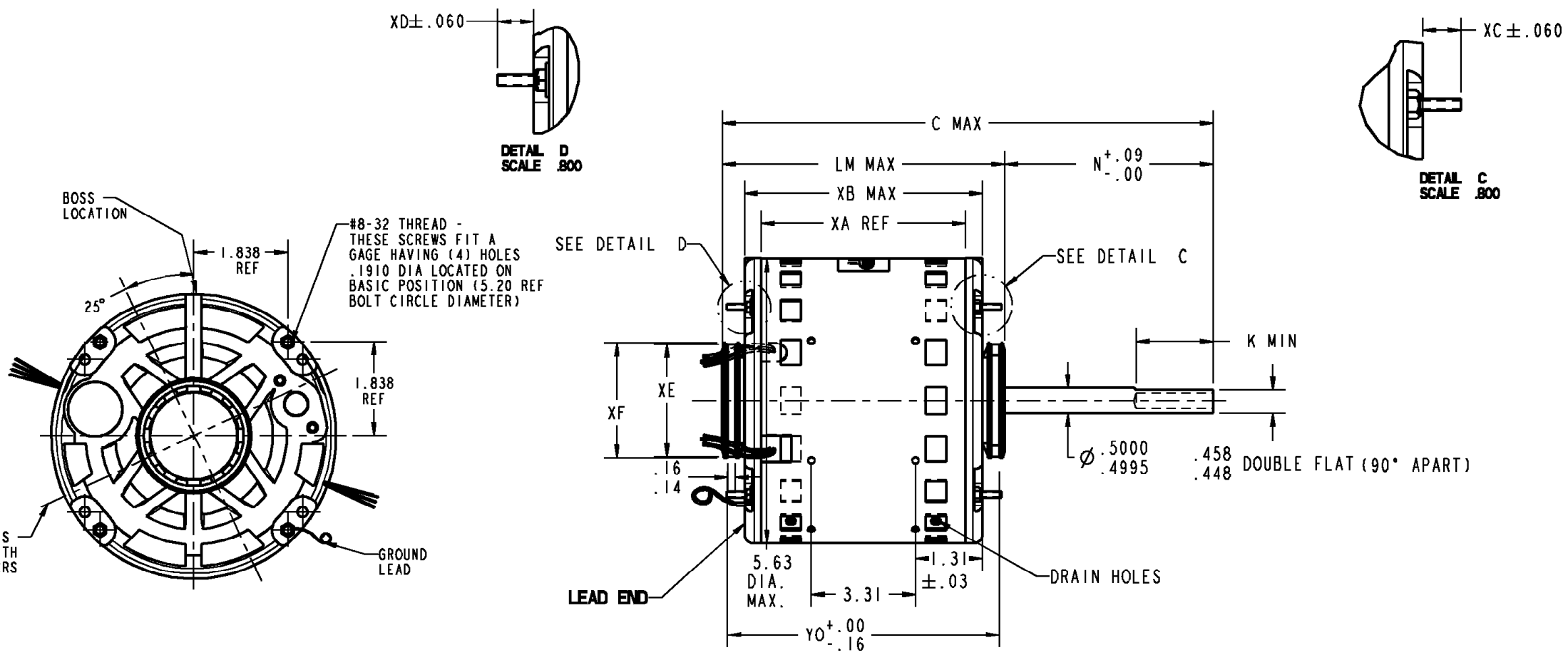


NAME: 100020344 OBJECT: 5KCP39SGBC30AS DATE: 12-Dec-11 14:39:48

VENTILATION SYSTEM		RBC PROPRIETARY AND CONFIDENTIAL INFORMATION This document is the property of REGAL BELOIT CORPORATION ("RBC") including its subsidiaries and divisions and contains proprietary information of RBC. This document is loaned on the express condition that neither it nor the information contained therein shall be disclosed to others without the express written consent of RBC, and that the information shall be used by the recipient only as approved expressly by RBC. This document shall be returned to RBC upon its request. This document may be subject to certain restrictions under U.S. export control laws and regulations.	REVISIONS			
SHELL VENTS	OPEN		REV.	DESCRIPTION	DATE	APPROVED
ENDSHIELD (OPP. LEAD END)	OPEN		1	REL TO PROD PER IS:11-2171	12/12/11	PRANEETH
ENDSHIELD (LEAD END)	OPEN					



NOTE:
1. DIMENSIONS SHOWN ARE NOMINAL UNLESS/OTHERWISE SPECIFIED.

			2.22	2.25	1.25	.75	6.64		
			XE	XF	XC	XD	YO		
13.39	6.50	5.50	N/A	N/A	6.81	5.32	5.98		
C	N	K	XN	XK	LM	XA	XB		

NO	CONNECTION	COLOR	ENT TYPE	ENT LOC (INCHES LB)	GAGE	MATERIAL	WALL THK	LENGTH	TERMINATION
1	COMMON LEAD	WHITE	SHELL NOTCH	3:40	18	THERMOPLASTIC	4/64	30.00	50 BWS
2	REV LEAD	YELLOW	SHELL NOTCH	9:40	18	VULKENE	2/64	4.00	MALE REVERSING PLUG
3	CAPACITOR LEAD	BRN/WHT	SHELL NOTCH	3:40	18	THERMOPLASTIC	4/64	30.00	.25 FOC
4	REV LEAD	ORANGE	SHELL NOTCH	9:40	18	VULKENE	2/64	4.00	MALE REVERSING PLUG
5	CAPACITOR LEAD	BROWN	SHELL NOTCH	3:40	18	THERMOPLASTIC	4/64	30.00	.25 FOC
6	REV LEAD	BROWN	SHELL NOTCH	9:40	18	VULKENE	2/64	4.00	FEMALE REVERSING PLUG
7	HIGH SPEED LEAD	BLACK	SHELL NOTCH	3:40	18	THERMOPLASTIC	4/64	30.00	.50 BWS
8	NED HIGH SPEED LEAD	YELLOW	SHELL NOTCH	3:40	18	THERMOPLASTIC	4/64	30.00	.50 BWS
9	NED LOW SPEED LEAD	ORANGE	SHELL NOTCH	3:40	18	THERMOPLASTIC	4/64	30.00	.50 BWS
10	LOW SPEED LEAD	RED	SHELL NOTCH	3:40	18	THERMOPLASTIC	4/64	30.00	.50 BWS
11	REV LEAD	PURPLE	SHELL NOTCH	9:40	18	VULKENE	2/64	4.00	FEMALE REVERSING PLUG
12	GROUND	GRN-YEL	CLAMPSCREW	4:30	18	THERMOPLASTIC	2/64	12.00	#10 EYELET

NAMEPLATE DATA	
MODEL	5KCP39SGBC30AS
CUST P/N	STOCK NO 3D005
HP	3/4
RPM	1075
VOLTS	277/230
HZ	60/50
SPEEDS	4
AMPS	3.60
CAP REQD-1	10.00µfd/370Volts
CAP REQD-2	N/R
CONN. DRW	NP24X327123
ROTATION	CCW/CW (VIEWED FROM LE)

REGAL-BELOIT CORPORATION
FORTWAYNE, INDIANA

TITLE: **MOTOR OUTLINE**
(CUSTOMER NAME: DEF PUR)

SIZE B DRAWING **5KCP39SGBC30AS** REV 1

SCALE: NO ISSUED: 12/12/11 SHEET 1 of 1

