

S.NO	CONNECTION	COLOR	EXIT TYPE	EXIT LOC (VIEWING LE)	GAGE	MATERIAL	WALL THK.	LENGTH	TERMINATION
1	COMMON LEAD	YELLOW	4-5 LD BUSHING	3:40	18	THERMOPLASTIC	4/64	48.00	.50 BWS
2	REV LEAD	YELLOW	4-5 LD BUSHING	9:40	18	VULKENE	2/64	4.00	MALE REV PLUG
3	CAPACITOR LEAD	BRN/WHT	4-5 LD BUSHING	3:40	18	THERMOPLASTIC	4/64	48.00	.25 SQC
4	REV LEAD	ORANGE	4-5 LD BUSHING	9:40	18	VULKENE	2/64	4.00	MALE REV PLUG
5	CAPACITOR LEAD	BROWN	4-5 LD BUSHING	3:40	18	THERMOPLASTIC	4/64	48.00	.25 SQC
6	REV LEAD	BROWN	4-5 LD BUSHING	9:40	18	VULKENE	2/64	4.00	FEMALE REV PLUG
7	HIGH SPEED LEAD	BLACK	4-5 LD BUSHING	3:40	18	THERMOPLASTIC	4/64	48.00	.50 BWS
8	LOW SPEED LEAD	RED	4-5 LD BUSHING	3:40	18	THERMOPLASTIC	4/64	48.00	.50 BWS
9	REV LEAD	PURPLE	4-5 LD BUSHING	9:40	18	VULKENE	2/64	4.00	FEMALE REV PLUG
10	GROUND	GRN-YEL	CLAMP SCREW	7:30	18	THERMOPLASTIC	2/64	12.00	#10 EYELET

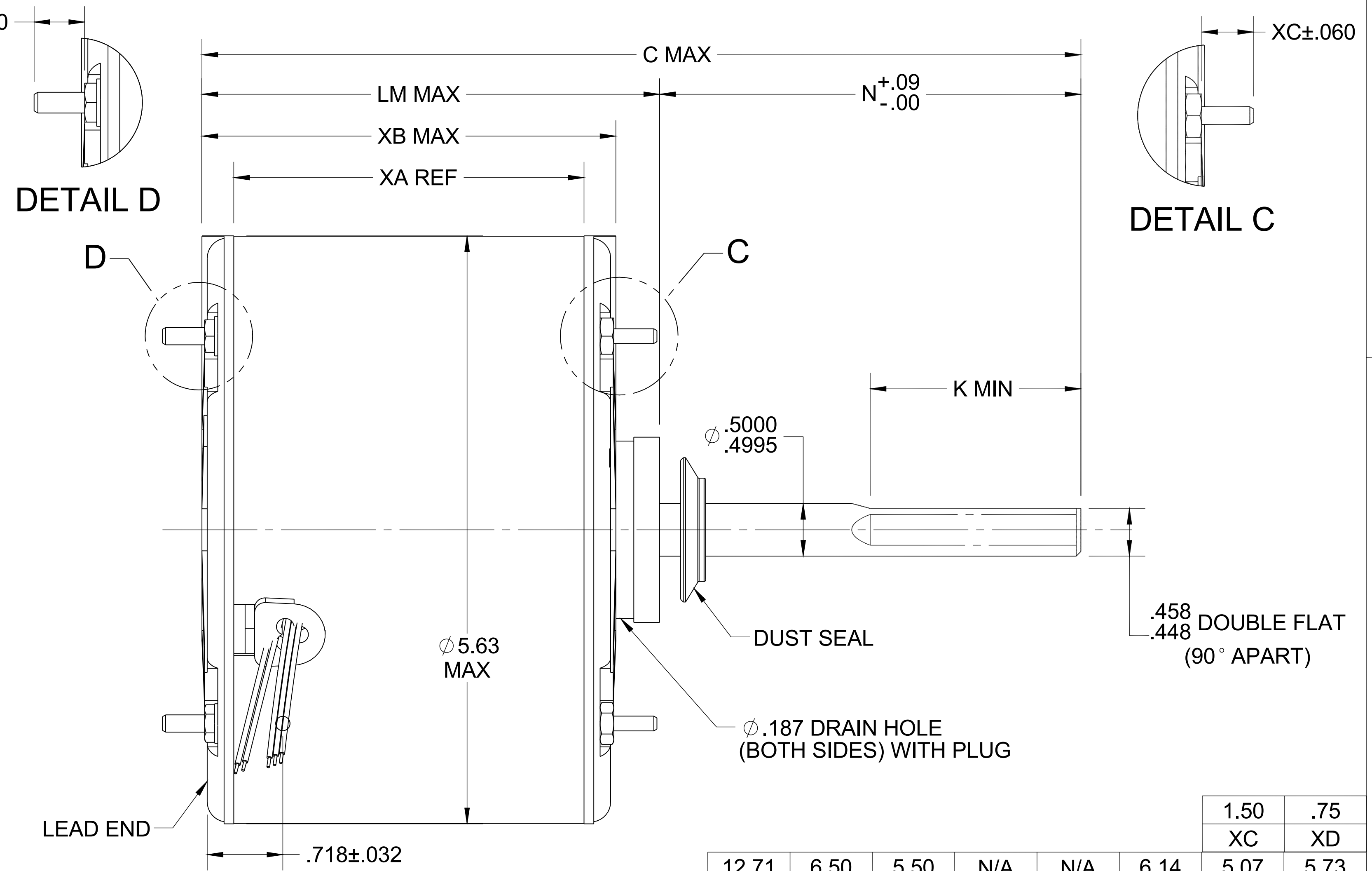
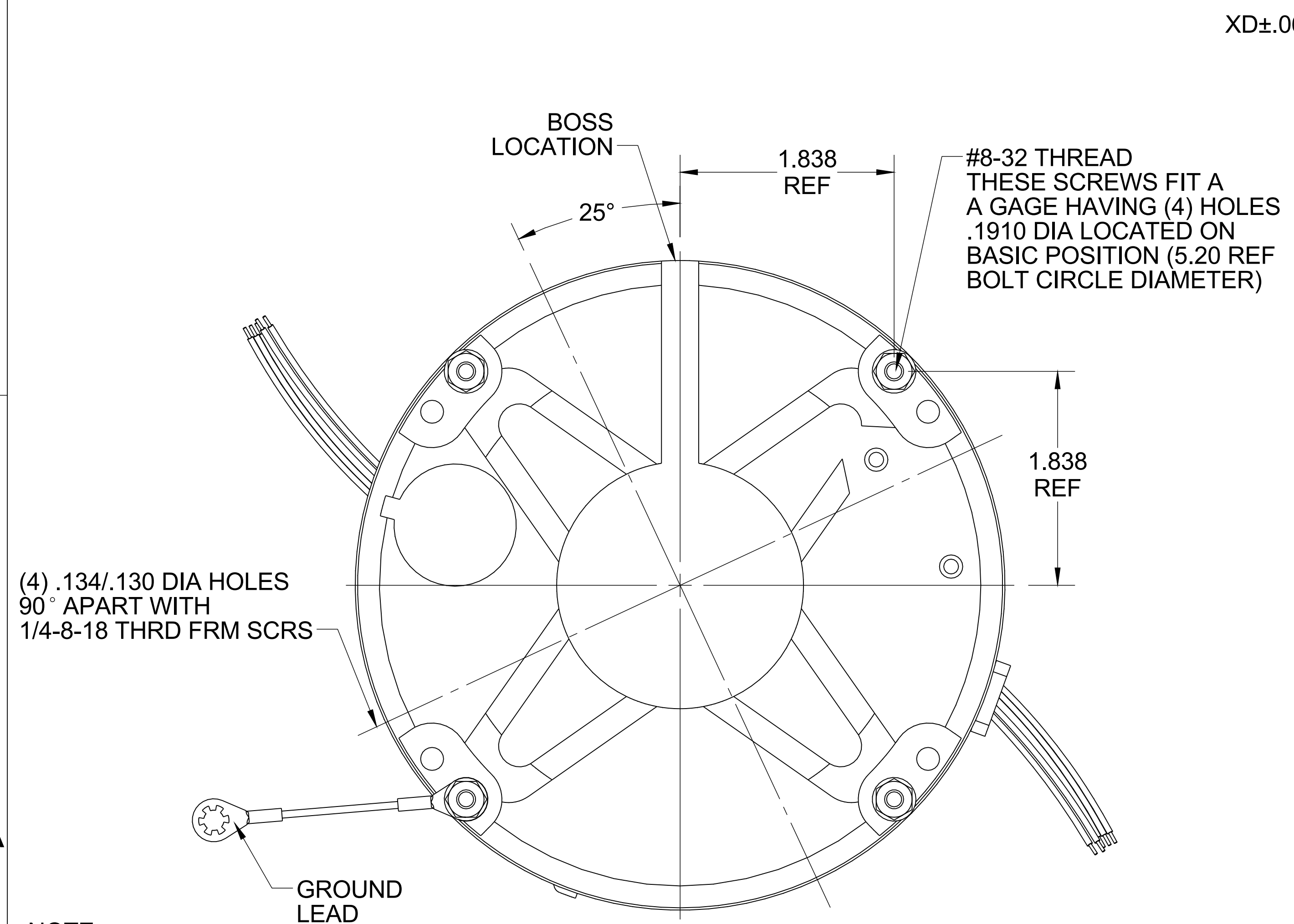
NAMEPLATE DATA	
MODEL	5KCP39PGU961S
CUST. P/N	STOCK NO 3C003
HP	1/2
RPM	1625
VOLTS	208-230
HZ	60/50
SPEEDS	2
AMPS	2.50
CAP. REQ'D-D1	7.50 μfd/370 Volts
CAP. REQ'D-D2	N/R
CONN.DRW#	NP24X327715
ROTATION	CCW/CW(VIEW FROM LE)

B

B

A

A



NOTE:  
 1. DIMENSIONS SHOWN ARE NOMINAL UNLESS OTHERWISE SPECIFIED  
 2. NAME PLATE LABEL LOCATION :360° - CENTER WITH RESPECT TO 0° - READ FROM LE.

VENTILATION SYSTEM	
SHELL VENTS	CLOSED
ENDSHIELD (OPP.LEAD END)	CLOSED
ENDSHIELD (LEAD END)	CLOSED

DRAWING REVISION A	REVISION BY SN	DATE 10/07/2015
ECO ECO-0086444	APPROVED BY KEP	DATE 10/07/2015
ECO DESCRIPTION REDWRAN IN SW & UPDATED AS PER ECO#		

TOLERANCES UNLESS OTHERWISE SPECIFIED:  
 DEC. INCH mm ANGLE  
 .X ±0.1 [±2.5] ±0.5°  
 .XX ±0.01 [±0.25]  
 .XXX ±0.005 [±0.127]  
 .XXXX ±0.0005 [±0.0127]  
 REMOVE BURRS & BREAK SHARP EDGES: .003/.015 [.076/.381] X 45°  
 CORNER FILLETS: R.02 [.51]  
 MACHINED SURFACES: 125 3.2 INCH mm  
 mm SHOWN IN [BRACKETS]

DRAWN BY SN	DATE 10/07/2015
APPROVED BY KEP	DATE 10/07/2015
REFERENCE	THIRD ANGLE PROJECTION

**REGAL**™ Regal Beloit America, Inc.

DESCRIPTION  
**OUTLINE**  
(CUSTOMER NAME: DEF PUR)

MATERIAL PROCESS/FINISH

SIZE **B** DRAWING NUMBER **5KCP39PGU961S** SHEET 1 OF 1

12.71	6.50	5.50	N/A	N/A	6.14	5.07	5.73
C	N	K	XN	XK	LM	XA	XB

4

3

2

1