

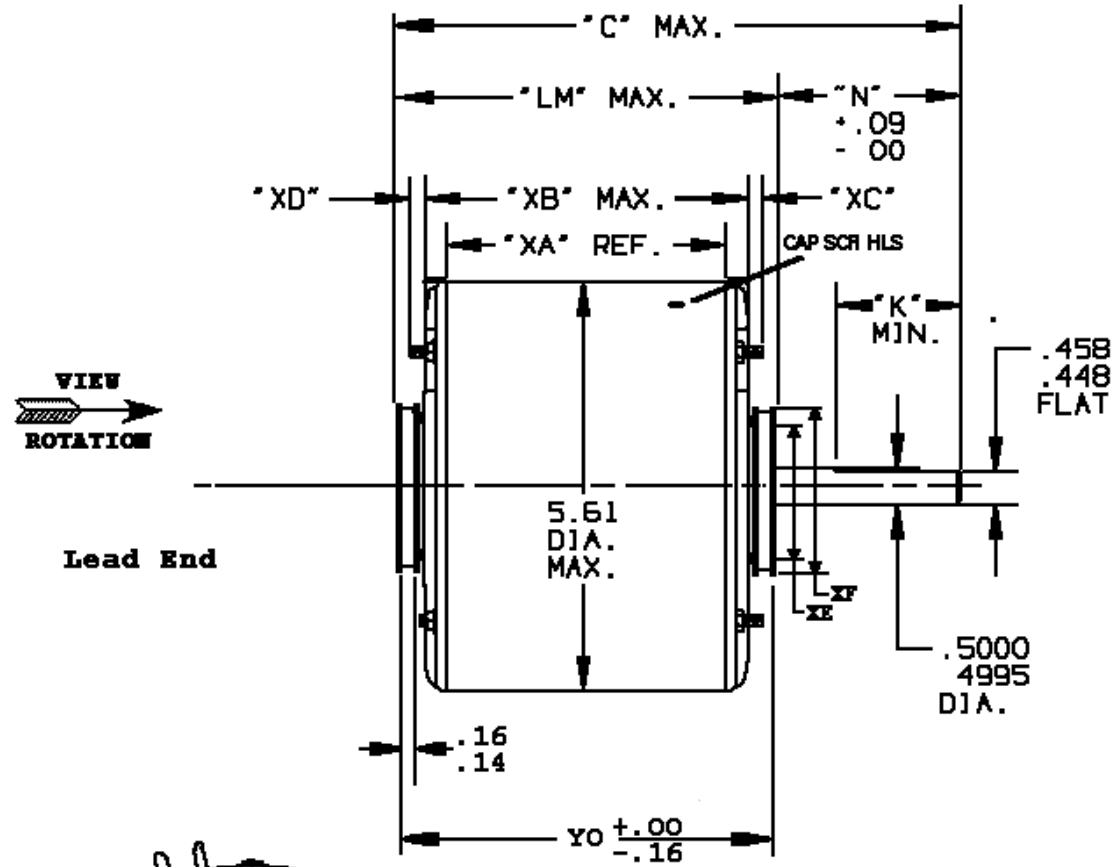
CONFIDENTIAL AND PROPRIETARY

This document is the property of General Electric Company and contains proprietary and confidential information of the Motor Business Group (MBG). The recipient is advised on the covered conditions that neither it nor the information contained therein shall be disclosed to others without the express consent of MBG and that the information shall be used by the recipient only as approved expressly by MBG. Also, the document shall be returned to MBG upon its request.

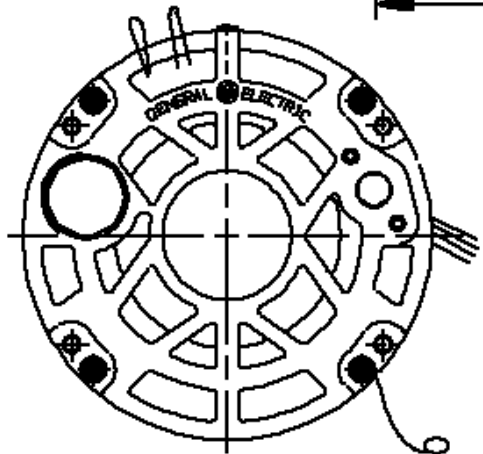
STOCK

REVISIONS

REV DESCRIPTION
1 CAS 1/8/01 ELEC FORMAT

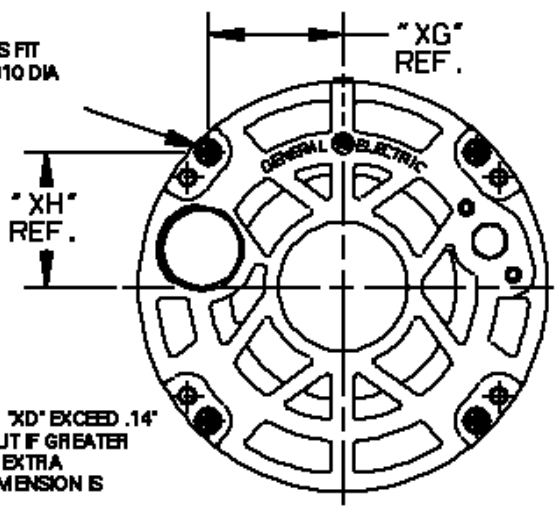


Lead End



Additional details (Viewing Lead end)

#8-32 THREAD- THESE SCREWS FIT A GAGE HAVING (4) HOLES .1910 DIA LOCATED ON BASIC POSITION



CLAMPSCREW POSITION WHEN 'XC' OR 'XD' EXCEED .14' IF 'XC' OR 'XD' = .14, IT IS A MAX DIM, BUT IF GREATER THAN A .14, VALUE GIVEN IS -.004.14. IF EXTRA NUTS ARE FURNISHED FOR SPACING, DIMENSION IS FROM NUT NEXT TO END SHIELD.

10.39	4.00	3.60	6.34	6.14	4.82	5.48	.50	-	2.22	2.25
C	N	K	LM	YO	XA	XB	XC	XD	XE	XF

Rotation **CW** viewed in direction of arrow.

Ventilation System:

- Shell vents - OPEN
- End shield (opp. lead end) - OPEN
- End shield (lead end) - OPEN
- Leads exit thru SHELL 90 degrees CW from top of motor viewed in direction of arrow.

GENERAL ELECTRIC
MOTOR BUSINESS GROUP FORT WAYNE, INDIANA

MOTOR OUTLINE

5KCP39PGE416ES ISSUED CAS 6/18/95

SCALE NO

CAD. NO. RR1N

CAD. NO. RR1N

(OLE42)