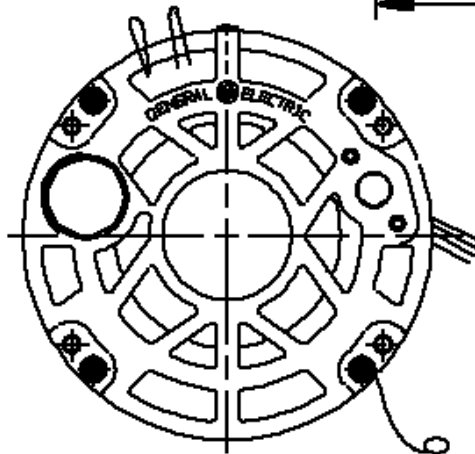
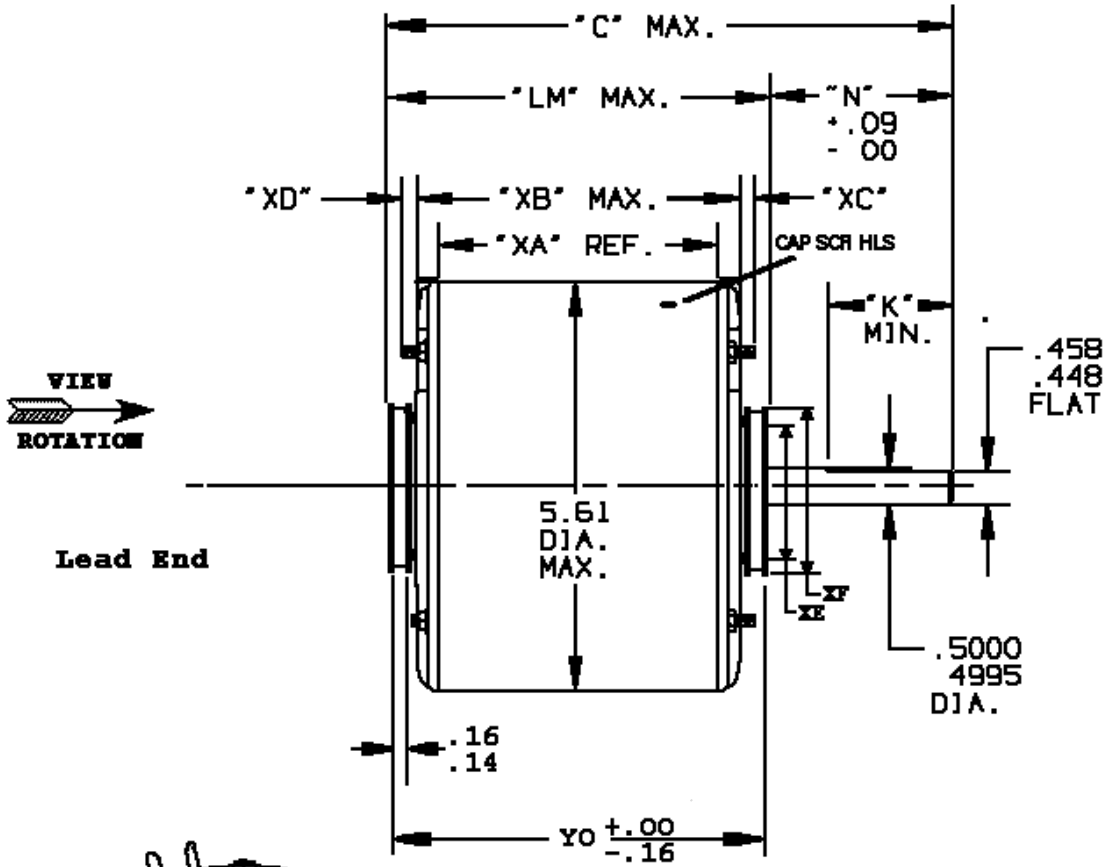


RBC PROPRIETARY AND CONFIDENTIAL INFORMATION
 The documents are the property of REGAL-BELOIT CORPORATION ("RBC") and are not to be disseminated or otherwise used without the express written consent of RBC. The documents are loaned to the recipient on the condition that the recipient shall not disclose the information contained therein to third parties without the express written consent of RBC and that the information shall be used by the recipient only as approved expressly by RBC. The documents shall be returned to RBC upon request. The documents may be subject to certain restrictions under the US export control laws and regulations.

STOCK

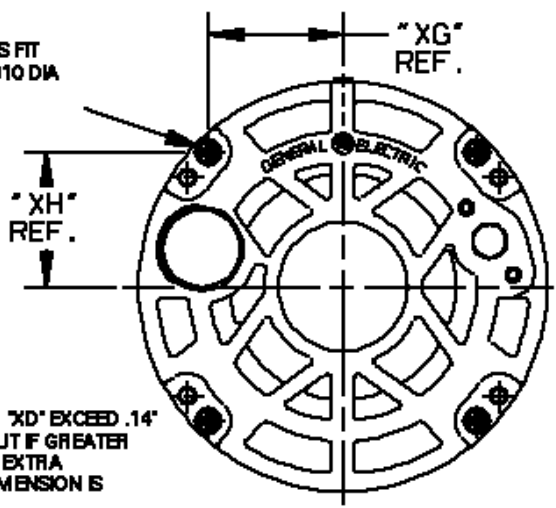
REVISIONS

REV	DESCRIPTION
1	CAS 5/11/82 XC WAS .14
2	CAS 1/8/01 ELEC FORMAT
3	LOGO MODIFIED IS:05-1777 JS



Additional details (Viewing Lead end)

#8-32 THREAD- THESE SCREWS FIT A GAGE HAVING (4) HOLES .1910 DIA LOCATED ON BASIC POSITION



CLAMPSCREW POSITION WHEN 'XC' OR 'XD' EXCEED .14' IF 'XC' OR 'XD' = .14, IT IS A MAX DIM, BUT IF GREATER THAN A .14, VALUE GIVEN IS -.004.14. IF EXTRA NUTS ARE FURNISHED FOR SPACING, DIMENSION IS FROM NUT NEXT TO END SHIELD.

9.89	4.00	3.60	5.84	5.64	4.32	4.98	.50	-	2.22	2.25
C	N	K	LM	YO	XA	XB	XC	XD	XE	XF

Rotations **CW** viewed in direction of arrow.

Ventilation System:

- Shell vents - OPEN
- End shield (opp. lead end) - OPEN
- End shield (lead end) - OPEN
- Leads exit thru SHELL 90 degrees CW from top of motor viewed in direction of arrow.



REGAL-BELOIT CORPORATION
 FORT WAYNE, INDIANA

MOTOR OUTLINE

MODEL	ISSUED	SCALE
5KCP39LGE216ET	RAW 2/10/81	NO

MODEL

CAD. NO. RR1N

CAD. NO. RR1N

(OLE42)