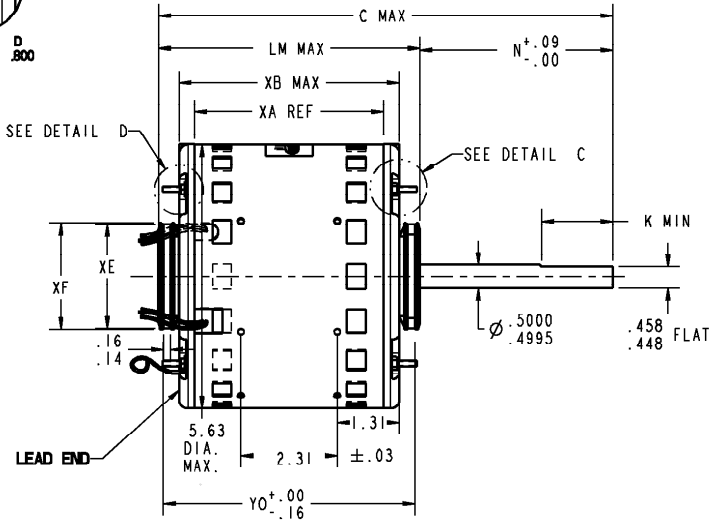
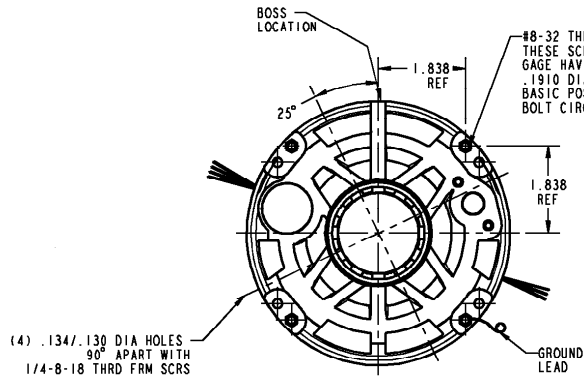
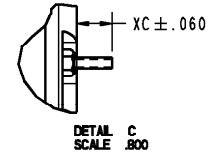
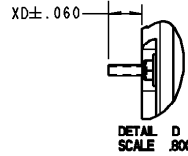


NAME: 100020344 OBJECT: 5KCP39LGBB03BS DATE: 03-Jun-11 16:24:08

SIZE DRAWING NO. **5KCP39LGBB03BS** REV 2 SHEET 1

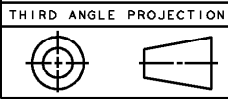
| VENTILATION SYSTEM        |      | RBC PROPRIETARY AND CONFIDENTIAL INFORMATION<br>This document is the property of REGAL BELOIT CORPORATION ("RBC") including its subsidiaries and divisions and contains proprietary information of RBC. This document is loaned on the express condition that neither it nor the information contained therein shall be disclosed to others without the express written consent of RBC, and that the information shall be used by the recipient only as approved expressly by RBC. This document shall be returned to RBC upon its request. This document may be subject to certain restrictions under U.S. export control laws and regulations. | REVISIONS                       |                            |          |          |
|---------------------------|------|--|---------------------------------|----------------------------|----------|----------|
| SHELL VENTS               | OPEN |  | REV.                            | DESCRIPTION                | DATE     | APPROVED |
| ENDSHIELD (OPP. LEAD END) | OPEN |  | 1                               | REL TO PROD PER IS:11-2171 | 05/19/11 | PRANEETH |
| ENDSHIELD (LEAD END)      | OPEN | 2  | MODIFIED NP FREQ PER IS:11-2532 | PRANEETH 06/03/11          | LINDA    |          |



NOTE:  
1. DIMENSIONS SHOWN ARE NOMINAL UNLESS OTHERWISE SPECIFIED.

|       |      |      |      |     |       |
|-------|------|------|------|-----|-------|
|       | 2.22 | 2.25 | 1.00 | .75 | 5.640 |
|       | XE   | XF   | XC   | XD  | YO    |
| 12.39 | 6.50 | 5.50 | N/A  | N/A | 5.84  |
| C     | N    | K    | XN   | XK  | LM    |
|       |      |      | XA   |     | XB    |

| SNO | CONNECTION      | COLOR   | EXIT TYPE   | EXIT LOC (VIEWED FRM LEAD) | QTY | MATERIAL      | WALL THK | LENGTH | TERMINATION           | NAMEPLATE DATA |                           |
|-----|-----------------|---------|-------------|----------------------------|-----|---------------|----------|--------|-----------------------|----------------|---------------------------|
| 1   | COMMON LEAD     | WHITE   | SHELL NOTCH | 3:40                       | 18  | THERMOPLASTIC | 4/64     | 30.00  | .50 BWS               | MODEL          | 5KCP39LGBB03BS            |
| 2   | REV LEAD        | YELLOW  | SHELL NOTCH | 9:40                       | 18  | VULKENE       | 2/64     | 4.00   | MALE REVERSING PLUG   | CUST P/N       | STOCK NO 3986             |
| 3   | CAPACITOR LEAD  | BRN/WHT | SHELL NOTCH | 3:40                       | 18  | THERMOPLASTIC | 4/64     | 30.00  | .25 FOC               | HP             | 1/3                       |
| 4   | REV LEAD        | ORANGE  | SHELL NOTCH | 9:40                       | 18  | VULKENE       | 2/64     | 4.00   | MALE REVERSING PLUG   | RPM            | 1075                      |
| 5   | CAPACITOR LEAD  | BROWN   | SHELL NOTCH | 3:40                       | 18  | THERMOPLASTIC | 4/64     | 30.00  | .25 FOC               | VOLTS          | 208-230                   |
| 6   | REV LEAD        | BROWN   | SHELL NOTCH | 9:40                       | 18  | VULKENE       | 2/64     | 4.00   | FEMALE REVERSING PLUG | HZ             | 60/50                     |
| 7   | HIGH SPEED LEAD | BLACK   | SHELL NOTCH | 3:40                       | 18  | THERMOPLASTIC | 4/64     | 30.00  | .50 BWS               | * SPEEDS       | 3                         |
| 8   | MED SPEED LEAD  | BLUE    | SHELL NOTCH | 3:40                       | 18  | THERMOPLASTIC | 4/64     | 30.00  | .50 BWS               | AMPS           | 2.50                      |
| 9   | LOW SPEED LEAD  | RED     | SHELL NOTCH | 3:40                       | 18  | THERMOPLASTIC | 4/64     | 30.00  | .50 BWS               | CAP REQD-1     | 5.00µfd/370Volts          |
| 10  | REV LEAD        | PURPLE  | SHELL NOTCH | 9:40                       | 18  | VULKENE       | 2/64     | 4.00   | FEMALE REVERSING PLUG | CAP REQD-2     | N/R                       |
| 11  | GROUND          | GRN-YEL | CLAMPSCREW  | 4:30                       | 18  | THERMOPLASTIC | 2/64     | 12.00  | #10 EYELET            | CONV. DRW      | NP24X32722                |
|     |                 |         |             |                            |     |               |          |        |                       | ROTATION       | CCW/CW (VIEWED FROM LEAD) |



**REGAL BELOIT** REGAL-BELOIT CORPORATION FORTWAYNE, INDIANA

TITLE: **MOTOR OUTLINE**  
( CUSTOMER NAME : DEF PUR )

SIZE DRAWING: **B** **5KCP39LGBB03BS** REV **2**

SCALE: NO ISSUED: 05/19/11 SHEET 1 of 1