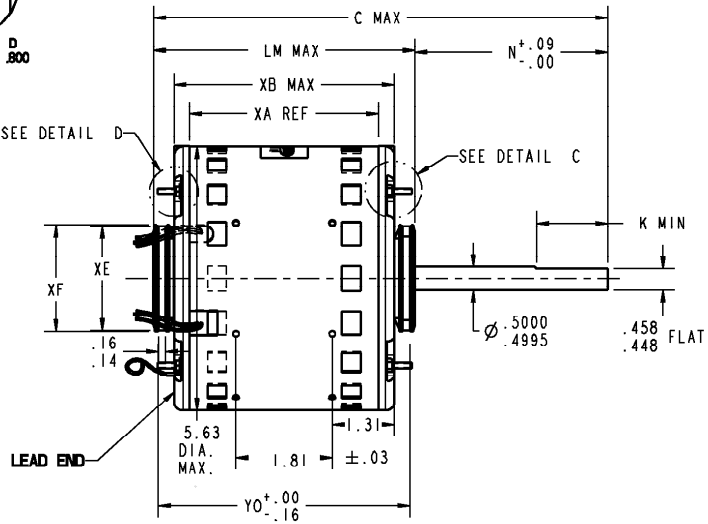
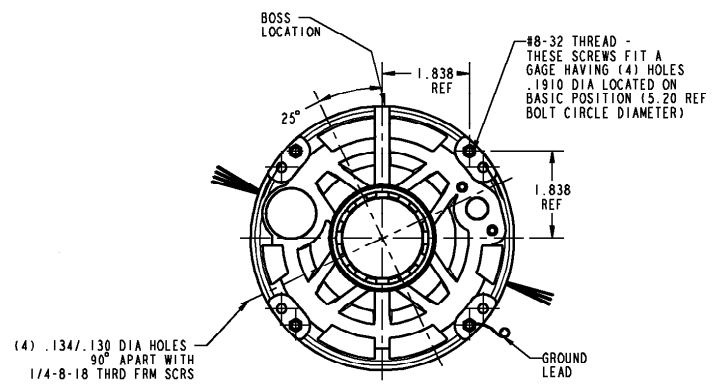
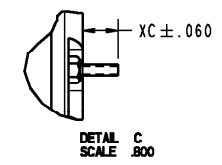
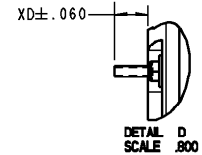


NAME: 100020344 OBJECT: 5KCP39HGBB02AS DATE: 17-Aug-11 20:56:42

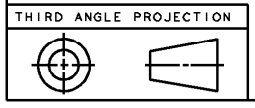
VENTILATION SYSTEM		RBC PROPRIETARY AND CONFIDENTIAL INFORMATION This document is the property of REGAL BELOIT CORPORATION ("RBC") including its subsidiaries and divisions and contains proprietary information of RBC. This document is loaned on the express condition that neither it nor the information contained therein shall be disclosed to others without the express written consent of RBC, and that the information shall be used by the recipient only as approved expressly by RBC. This document shall be returned to RBC upon its request. This document may be subject to certain restrictions under U.S. export control laws and regulations.	REVISIONS			
SHELL VENTS	OPEN		REV.	DESCRIPTION	DATE	APPROVED
ENDSHIELD (OPP. LEAD END)	OPEN		1	REL TO PROD PER IS:11-2171	05/19/11	PRANEETH
ENDSHIELD (LEAD END)	OPEN					



NOTE:
1. DIMENSIONS SHOWN ARE NOMINAL UNLESS OTHERWISE SPECIFIED.

	2.44	2.50	.75	.75	5.14
	XE	XF	XC	XD	YO
11.89	6.50	5.50	N/A	N/A	5.31
C	N	K	XN	XK	LM
			XA		

NO	CONNECTION	COLOR	END TYPE	EXT LDC (VIEWED FRM L)	QTY	MATERIAL	WALL THK	LENGTH	TERMINATION	NAMEPLATE DATA	
1	COMMON LEAD	WHITE	SHELL NOTCH	3:40	18	THERMOPLASTIC	4/64	30.00	.50 BWS	MODEL	5KCP39HGBB02AS
2	REV LEAD	YELLOW	SHELL NOTCH	9:40	18	EPDM	2/64	4.00	MALE REVERSING PLUG	CUST P/N	STOCK NO 3984
3	CAPACITOR LEAD	BRN/WHT	SHELL NOTCH	3:40	18	THERMOPLASTIC	4/64	30.00	.25 FOC	HP	1/4
4	REV LEAD	ORANGE	SHELL NOTCH	9:40	18	EPDM	2/64	4.00	MALE REVERSING PLUG	RPM	1075
5	CAPACITOR LEAD	BROWN	SHELL NOTCH	3:40	18	THERMOPLASTIC	4/64	30.00	.25 FOC	VOLTS	208-230
6	REV LEAD	BROWN	SHELL NOTCH	9:40	18	EPDM	2/64	4.00	FEMALE REVERSING PLUG	HZ	60
7	HIGH SPEED LEAD	BLACK	SHELL NOTCH	3:40	18	THERMOPLASTIC	4/64	30.00	.50 BWS	* SPEEDS	3
8	MED SPEED LEAD	BLUE	SHELL NOTCH	3:40	18	THERMOPLASTIC	4/64	30.00	.50 BWS	AMPS	1.70
9	LOW SPEED LEAD	RED	SHELL NOTCH	3:40	18	THERMOPLASTIC	4/64	30.00	.50 BWS	CAP REQD-1	5.00µfd/370Volts
10	REV LEAD	PURPLE	SHELL NOTCH	9:40	18	EPDM	2/64	4.00	FEMALE REVERSING PLUG	CAP REQD-2	N/R
11	GROUND	GRN-YEL	CLAMPSCREW	4:30	18	THERMOPLASTIC	2/64	12.00	#10 EYELET	CONN. DRW	NP24X327722
										ROTATION	CCW/CW (VIEWED FROM LE)



REGAL BELOIT REGAL-BELOIT CORPORATION FORTWAYNE, INDIANA

TITLE **MOTOR OUTLINE**
(CUSTOMER NAME : DEF PUR)

SIZE B DRAWING 5KCP39HGBB02AS REV 1

SCALE: NO ISSUED: 05/19/11 SHEET 1 of 1