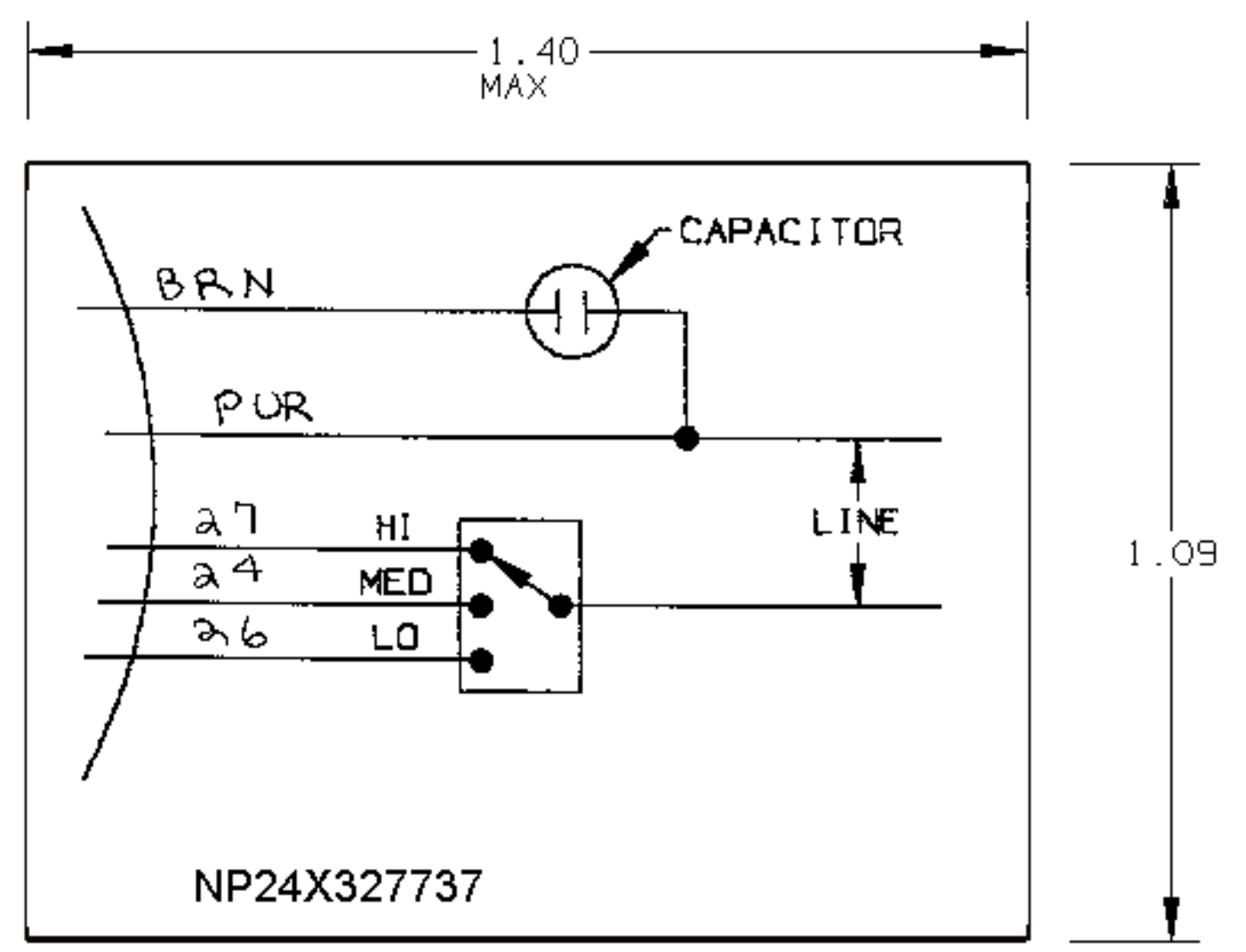


**RBC PROPRIETARY STATEMENT**  
This document is the property of REGAL-BELOIT Corporation ("RBC") including its subsidiaries and divisions and contains proprietary information of RBC. This document is loaned on the express condition that neither it nor the information contained therein shall be disclosed to others without the express written consent of RBC, and that the information shall be used by the recipient only as approved expressly by RBC. This document shall be returned to RBC upon its request. This document may be subject to certain restrictions under the U.S. export control law and regulations.


REVISIONS	
REV	DESCRIPTION
1	Convert to RBC Format JAR 10 2005



**TYPE FACE:** COLORS OR NUMBERS DENOTING LEAD IDENTIFICATION AND N.P. NUMBER ARE TO BE 18 POINT NEWS GOTHIC CONDENSED. OTHER INFORMATION SHOULD BE 18 POINT IF SPACE ALLOWS, OTHERWISE USE 14 POINT.

**MATERIALS:** 4 MIL WHITE VINYL ADHESIVE STOCK GE SPEC A50FG41-S1  
BLACK INK GE SPEC A50FM48

**NOTE:** THE BOX LINES AND DIMENSIONS REPRESENT THE SIZE OF THE TAPE TO BE USED. DO NOT INCLUDE THESE IN STAMP FORMAT.

 <b>REGAL-BELOIT CORPORATION</b>	
<b>CONNECTION DIAGRAM</b>	
FILE:	DPC#
NP24X327737	ISSUED <b>CAS 5/95</b> SCALE NO