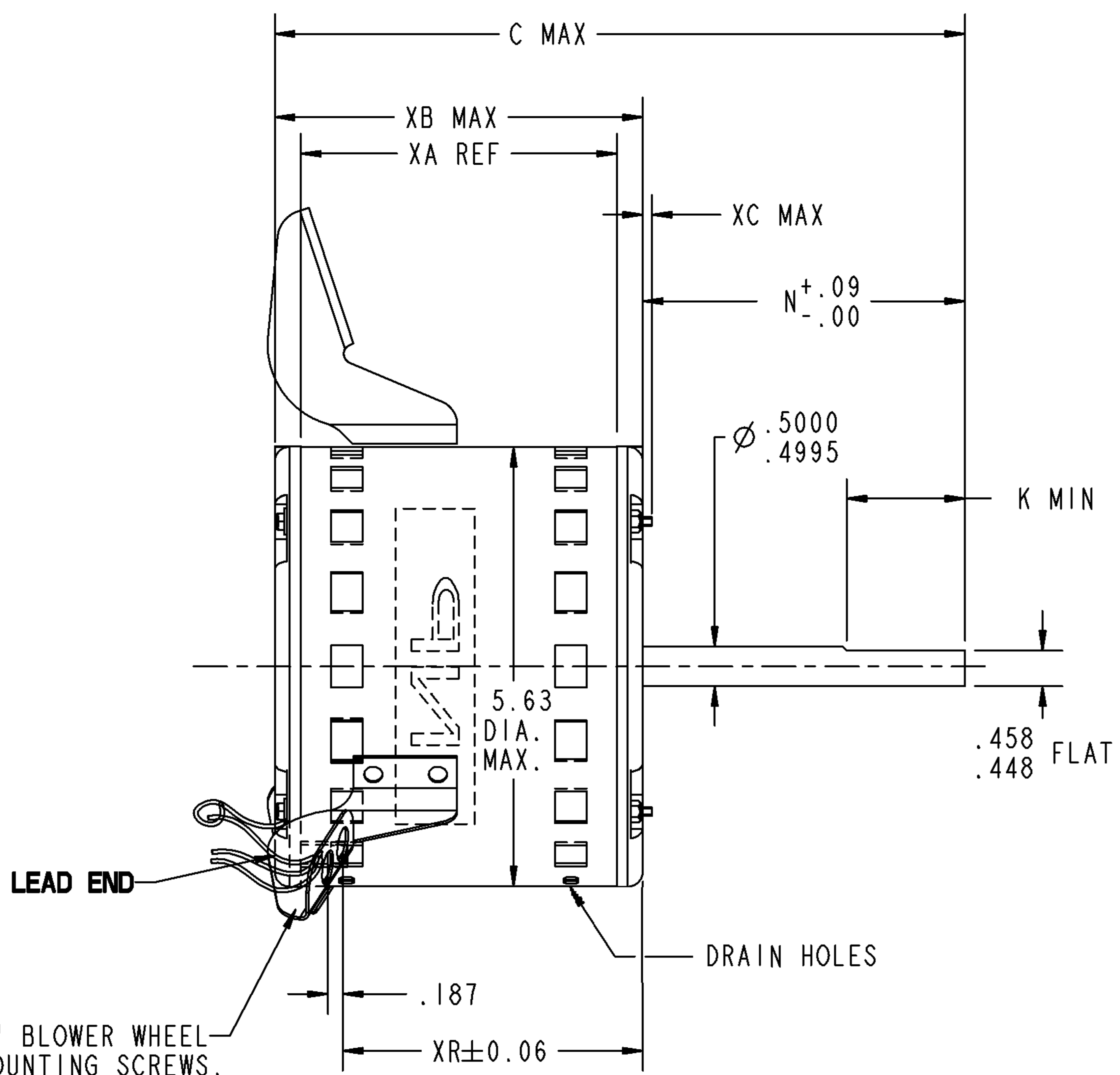
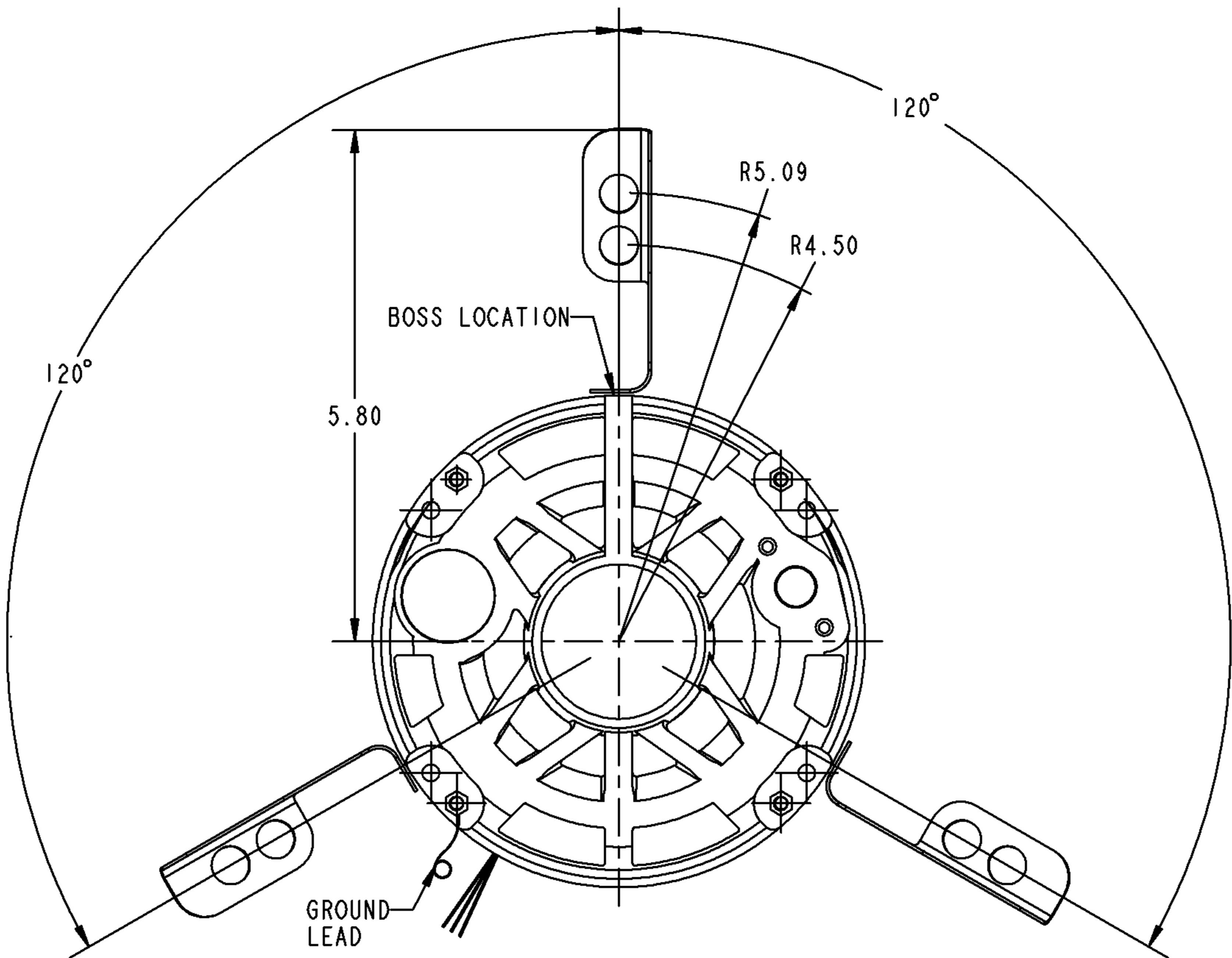


NAME: 100003107 OBJECT: 5KCP39NGY835S DATE: 25-Sep-07 11:20:50

VENTILATION SYSTEM	
SHELL VENTS	OPEN
ENDSHIELD (OPP. LEAD END)	OPEN
ENDSHIELD (LEAD END)	OPEN

RBC PROPRIETARY AND CONFIDENTIAL INFORMATION
 This document is the property of REGAL BELOIT CORPORATION ("RBC") including its subsidiaries and divisions and contains proprietary information of RBC. This document is loaned on the express condition that neither it nor the information contained therein shall be disclosed to others without the express written consent of RBC, and that the information shall be used by the recipient only as approved expressly by RBC. This document shall be returned to RBC upon its request. This document may be subject to certain restrictions under U.S. export control laws and regulations.

REVISIONS			
REV.	DESCRIPTION	DATE	APPROVED
1	CPN ADDED; REL TO PROD IS: 08-1095	03/19/08	RAMJ
2	SHL DRN HL NOTE ADDED	04/01/08	RAMJ



LUGS FOR 9/10" BLOWER WHEEL FOR .25 DIA MOUNTING SCREWS. GROMMET AND SPACER IN OUTER HOLE

- NOTES:
1. THE THREE LUGS SHOULD FIT A CONICAL GAGE PLATE WITH THREE PINS .25 DIA LOCATED ON THE BASIC POSITIONS.
 2. MAX VARIATION BETWEEN ALL LUG MOUNTING SURFACES IS .040".
 3. DIMENSIONS SHOWN ARE NOMINAL UNLESS/OTHERWISE SPECIFIED.

	N/A	3.61	N/A	N/A	.14	N/A	N/A
	XP	XR	XE	XF	XC	XD	YO
9.31	4.00	3.00	N/A	N/A	N/A	4.57	5.23
C	N	K	XN	XK	LM	XA	XB

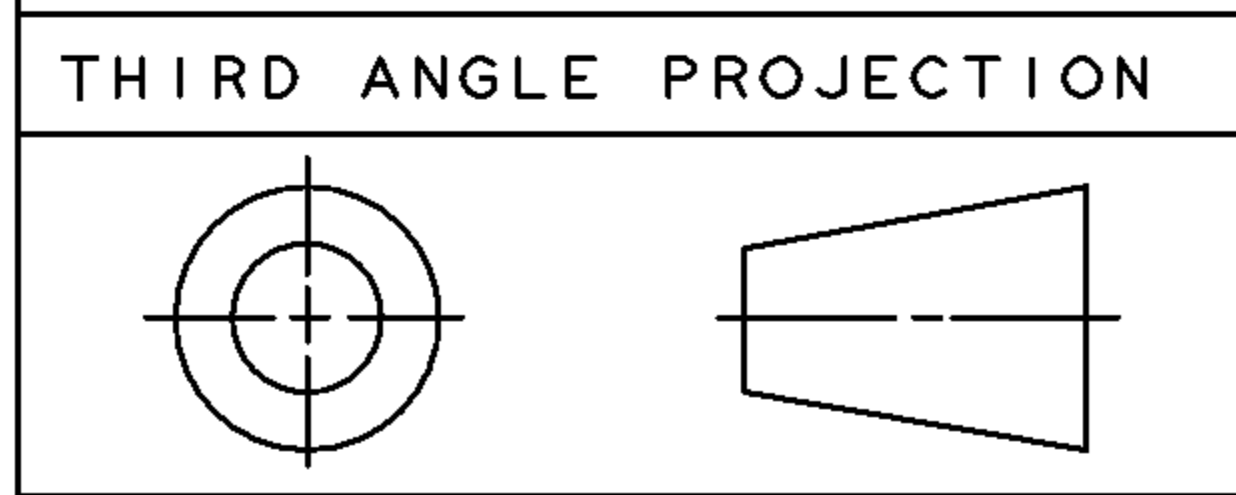
NAMEPLATE DATA	
MODEL	5KCP39NGY835S
CUST P/N	STOCK NO 3913
HP	1/2
RPM	1130
VOLTS	115
HZ	60
* SPEEDS	4
AMPS	8.80
CAP REQ'D-1	20.00µfd/370Volts
CAP REQ'D-2	N/R
CONN. DRW*	NP24X327019
ROTATION	CCW (VIEWED FROM LE)

REGAL BELOIT REGAL-BELOIT CORPORATION FORTWAYNE, INDIANA

TITLE **MOTOR OUTLINE**
(CUSTOMER NAME : DEF PUR)

SIZE DRAWING **5KCP39NGY835S** REV 2

SCALE: NO ISSUED: 9/25/07 SHEET 1 of 1



SNO	CONNECTION	COLOR	EXIT TYPE	EXIT LOC (VIEWING LE)	GAGE	MATERIAL	WALL THK	LENGTH	TERMINATION
1	COMMON LEAD	WHITE	SHELL NOTCH	7:00	18	THERMOPLASTIC	4/64	25.00	.25 FISQC LO INS FORCE
2	CAPACITOR LEAD	BROWN	SHELL NOTCH	7:00	18	THERMOPLASTIC	4/64	20.00	.25 SQC
3	CAPACITOR LEAD	BROWN	SHELL NOTCH	7:00	18	THERMOPLASTIC	4/64	20.00	.25 SQC
4	HIGH SPEED LEAD	BLACK	SHELL NOTCH	7:00	18	THERMOPLASTIC	4/64	25.00	.25 FISQC LO INS FORCE
5	MED HIGH SPEED LEAD	BLUE	SHELL NOTCH	7:00	18	THERMOPLASTIC	4/64	25.00	.25 FISQC LO INS FORCE
6	MED LOW SPEED LEAD	ORANGE	SHELL NOTCH	7:00	18	THERMOPLASTIC	4/64	25.00	.25 FISQC LO INS FORCE
7	LOW SPEED LEAD	RED	SHELL NOTCH	7:00	18	THERMOPLASTIC	4/64	25.00	.25 FISQC LO INS FORCE
8	GROUND	GRN-YEL	CLAMPSCREW	7:30	16	THERMOPLASTIC	2/64	12.00	.32 EYELET