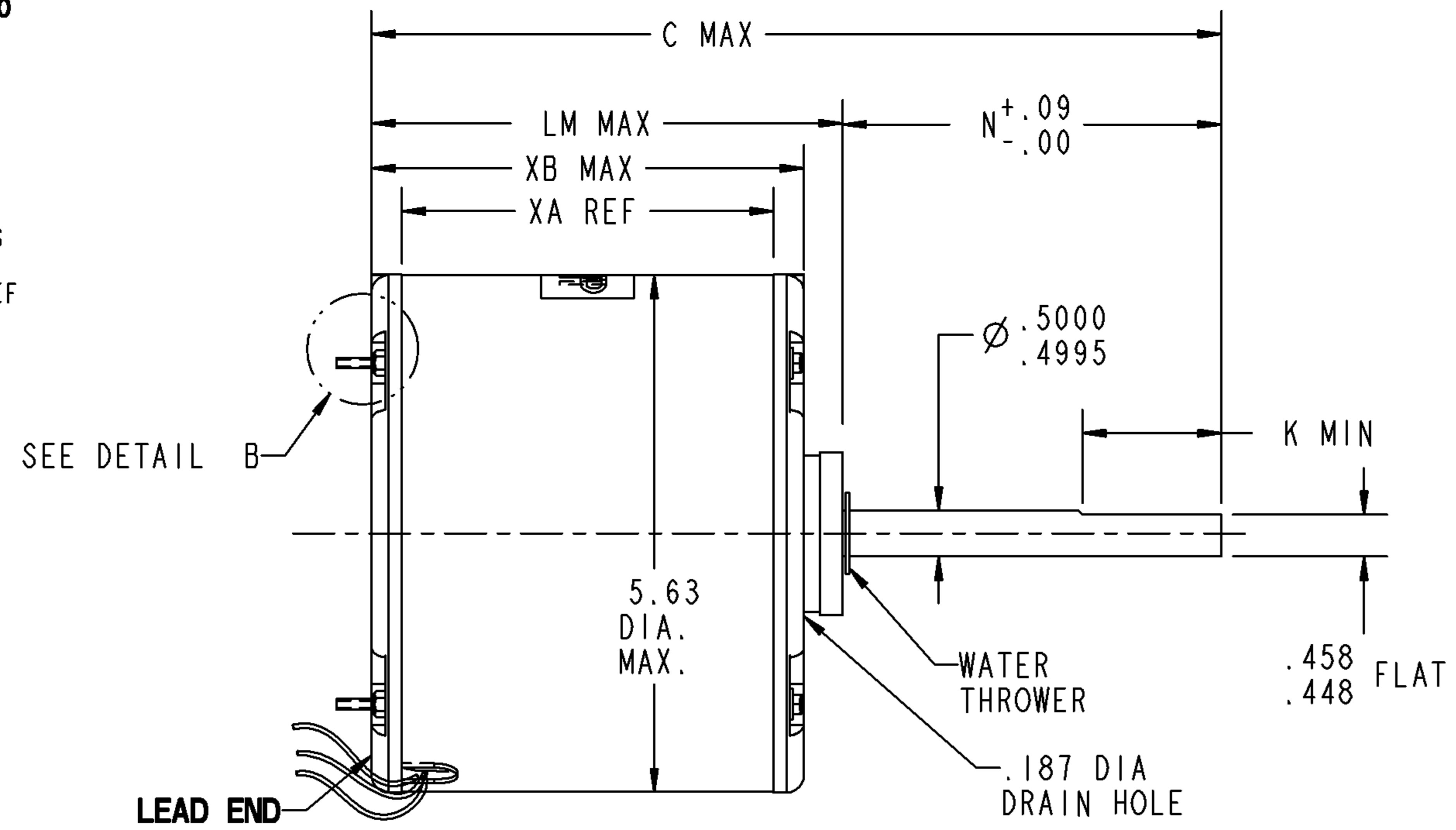
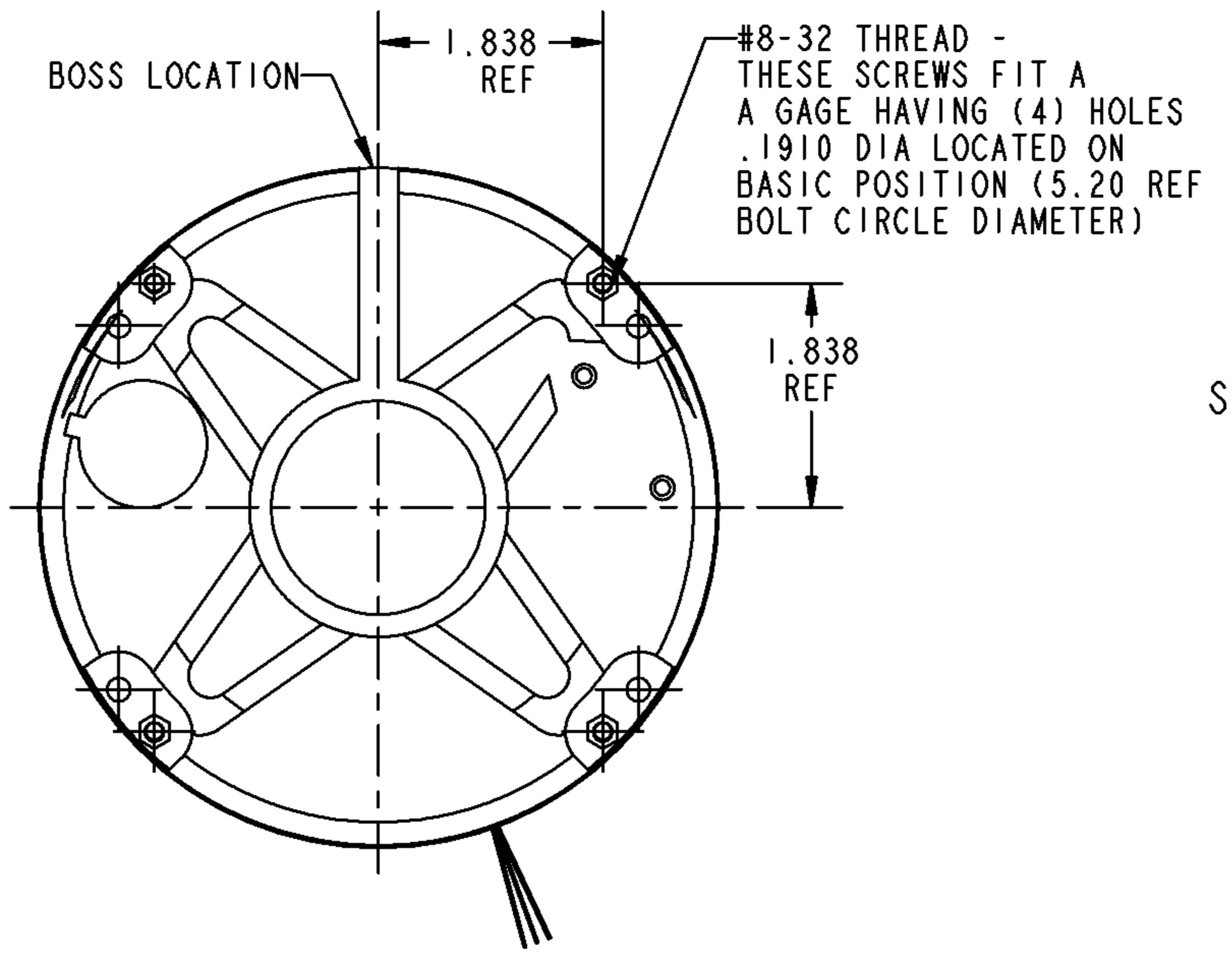
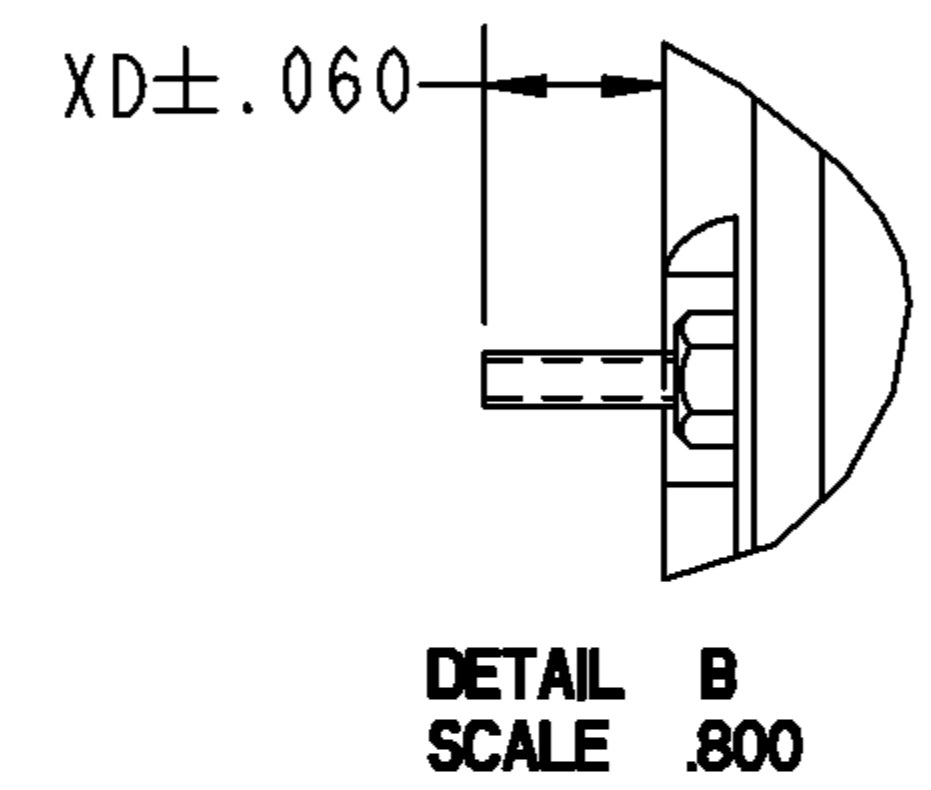


NAME: 100003107 OBJECT: 5KCP39BGY831S DATE: 23-Sep-07 15:32:17

VENTILATION SYSTEM	
SHELL VENTS	CLOSED
ENDSHIELD (OPP. LEAD END)	CLOSED
ENDSHIELD (LEAD END)	CLOSED

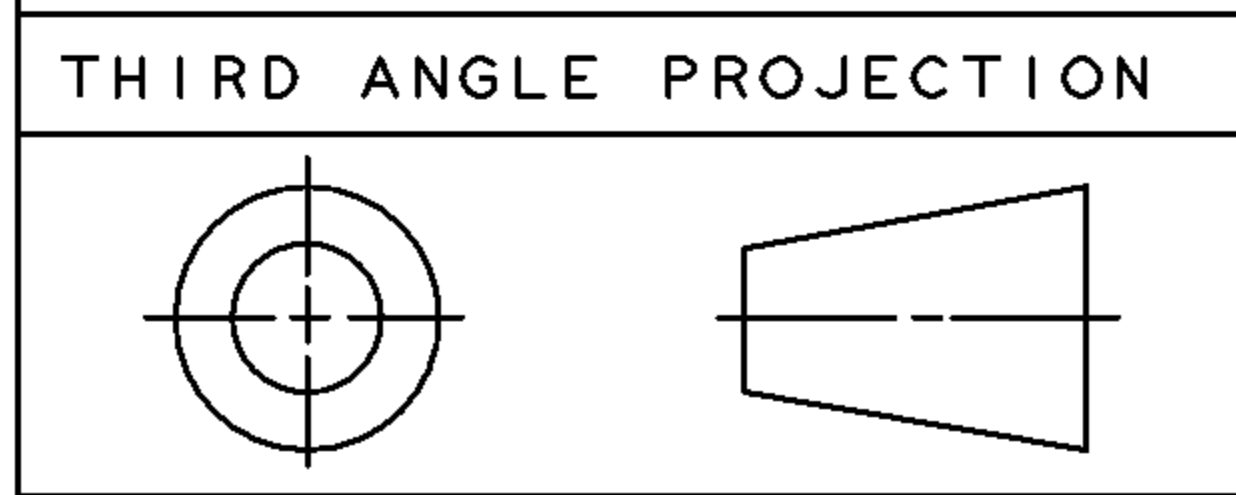
RBC PROPRIETARY AND CONFIDENTIAL INFORMATION
 This document is the property of REGAL BELOIT CORPORATION ("RBC") including its subsidiaries and divisions and contains proprietary information of RBC. This document is loaned on the express condition that neither it nor the information contained therein shall be disclosed to others without the express written consent of RBC, and that the information shall be used by the recipient only as approved expressly by RBC. This document shall be returned to RBC upon its request. This document may be subject to certain restrictions under U.S. export control laws and regulations.

REVISIONS			
REV.	DESCRIPTION	DATE	APPROVED
1	RELEASED TO PRODUCTION PER IS:08-1086	03/20/08	S.KARTHIK



NOTE:
 1. DIMENSIONS SHOWN ARE NOMINAL UNLESS OTHERWISE SPECIFIED.

							N/A	.34
							XC	XD
6.96	2.75	2.50	N/A	N/A	4.14	3.07	3.73	
C	N	K	XN	XK	LM	XA	XB	



SNO	CONNECTION	COLOR	EXIT TYPE	EXIT LOC (VIEWING LE)	GAGE	MATERIAL	WALL THK	LENGTH	TERMINATION
1	COMMON LEAD	PURPLE	2-3 LD BUSHING	5:20	18	THERMOPLASTIC	4/64	41.00	.25 SOC
2	CAPACITOR LEAD	BROWN	2-3 LD BUSHING	5:20	18	THERMOPLASTIC	4/64	41.00	.25 SOC
3	HIGH SPEED LEAD	BLACK	2-3 LD BUSHING	5:20	18	THERMOPLASTIC	4/64	44.00	.25 SOC

NAMEPLATE DATA	
MODEL	5KCP39BGY831S
CUST P/N	STOCK NO 3911
HP	1/6
RPM	1075
VOLTS	208-230
HZ	60
SPEEDS	1
AMPS	1.00
CAP REQD-1	5.00µfd/370Volts
CAP REQD-2	N/R
CONN. DRW#	NP24X327082
ROTATION	CCW (VIEWED FROM LE)

REGAL BELOIT REGAL-BELOIT CORPORATION FORTWAYNE, INDIANA

TITLE **MOTOR OUTLINE**
 (CUSTOMER NAME : DEF PUR)

SIZE B DRAWING **5KCP39BGY831S** REV 1

SCALE: NO ISSUED: 9/23/07 SHEET 1 of 1