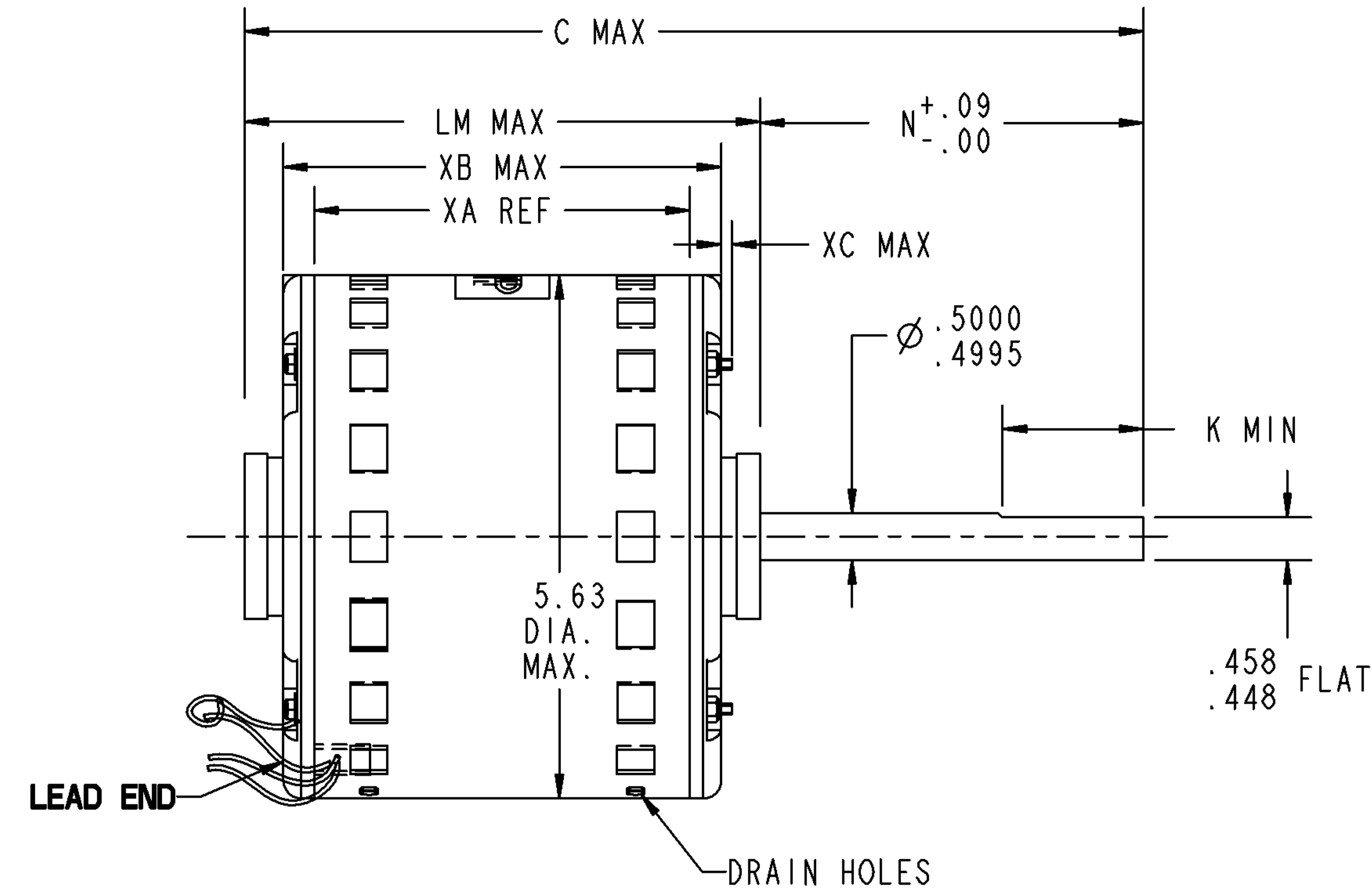
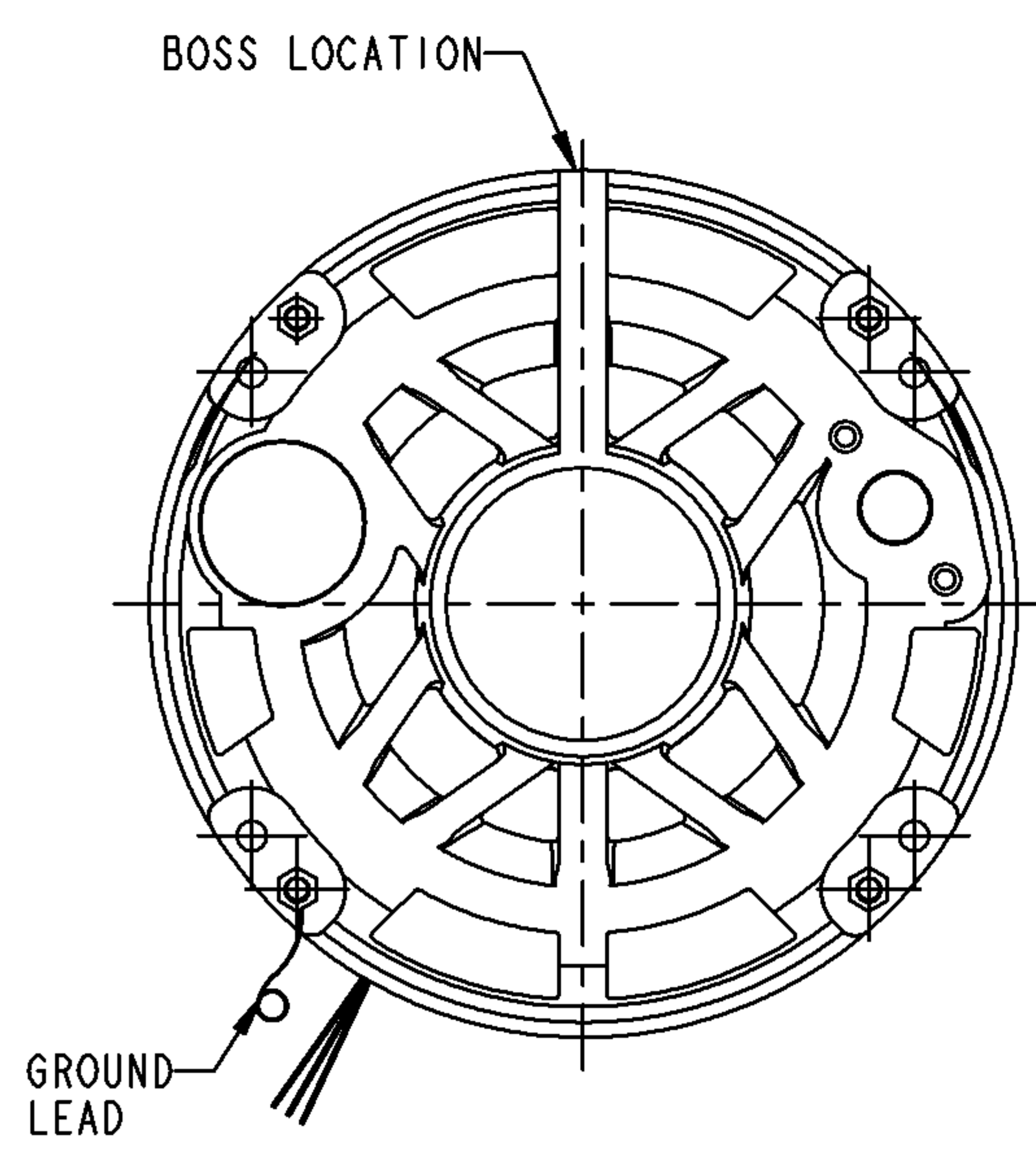


NAME: 100003107 OBJECT: 5KCP39FGY827S DATE: 23-Sep-07 14:31:04

VENTILATION SYSTEM	
SHELL VENTS	OPEN
ENDSHIELD (OPP. LEAD END)	OPEN
ENDSHIELD (LEAD END)	OPEN

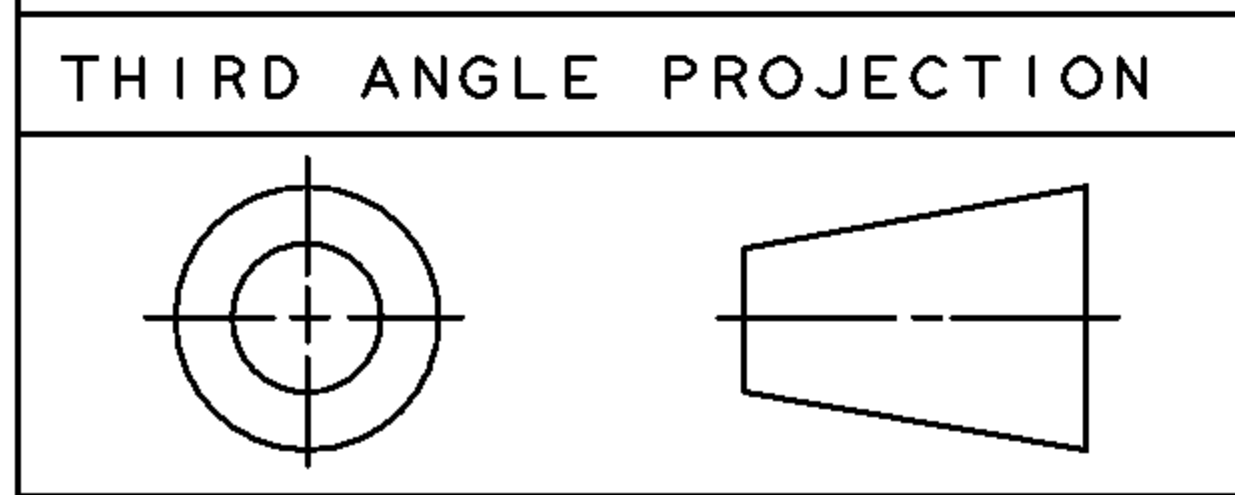
RBC PROPRIETARY AND CONFIDENTIAL INFORMATION
 This document is the property of REGAL BELOIT CORPORATION ("RBC") including its subsidiaries and divisions and contains proprietary information of RBC. This document is loaned on the express condition that neither it nor the information contained therein shall be disclosed to others without the express written consent of RBC, and that the information shall be used by the recipient only as approved expressly by RBC. This document shall be returned to RBC upon its request. This document may be subject to certain restrictions under U.S. export control laws and regulations.

REVISIONS			
REV.	DESCRIPTION	DATE	APPROVED
1	CPN ADDED; REL TO PROD IS:08-1081	03/20/08	RAMJ



NOTE:
 1. DIMENSIONS SHOWN ARE NOMINAL UNLESS OTHERWISE SPECIFIED.

						.14	N/A
						XC	XD
7.89	3.00	2.50	N/A	N/A	4.81	3.32	3.98
C	N	K	XN	XK	LM	XA	XB



SNO	CONNECTION	COLOR	EXIT TYPE	EXIT LOC (VIEWING LE)	GAGE	MATERIAL	WALL THK	LENGTH	TERMINATION
1	COMMON LEAD	YELLOW	SHELL NOTCH	7:00	18	THERMOPLASTIC	4/64	20.50	.187 X .20 ISQC RE LO INS FRC
2	CAPACITOR LEAD	BROWN	SHELL NOTCH	7:00	18	THERMOPLASTIC	4/64	9.00	.25 FISQC LO INS FORCE
3	CAPACITOR LEAD	BROWN	SHELL NOTCH	7:00	18	THERMOPLASTIC	4/64	9.00	.25 FISQC LO INS FORCE
4	HIGH SPEED LEAD	BLACK	SHELL NOTCH	7:00	18	THERMOPLASTIC	4/64	15.00	.25 FISQC LO INS FORCE
5	MED SPEED LEAD	BLUE	SHELL NOTCH	7:00	18	THERMOPLASTIC	4/64	15.00	.25 FISQC LO INS FORCE
6	LOW SPEED LEAD	RED	SHELL NOTCH	7:00	18	THERMOPLASTIC	4/64	15.00	.25 FISQC LO INS FORCE
7	GROUND	GRN-YEL	CLAMPSCREW	7:30	18	THERMOPLASTIC	2/64	12.00	#10 SERR EYELET

NAMEPLATE DATA	
MODEL	5KCP39FGY827S
CUST P/N	STOCK NO 3910
HP	1/4
RPM	1075/3SP
VOLTS	208-230
HZ	60
SPEEDS	3
AMPS	1.80
CAP REQD-1	7.50µfd/370Volts
CAP REQD-2	N/R
CONN DRW*	NP24X327067
ROTATION	CCW (VIEWED FROM LE)

REGAL BELOIT CORPORATION FORTWAYNE, INDIANA

TITLE **MOTOR OUTLINE**
 (CUSTOMER NAME : DEF PUR)

SIZE B DRAWING **5KCP39FGY827S** REV 1

SCALE: NO ISSUED: 9/23/07 SHEET 1 of 1