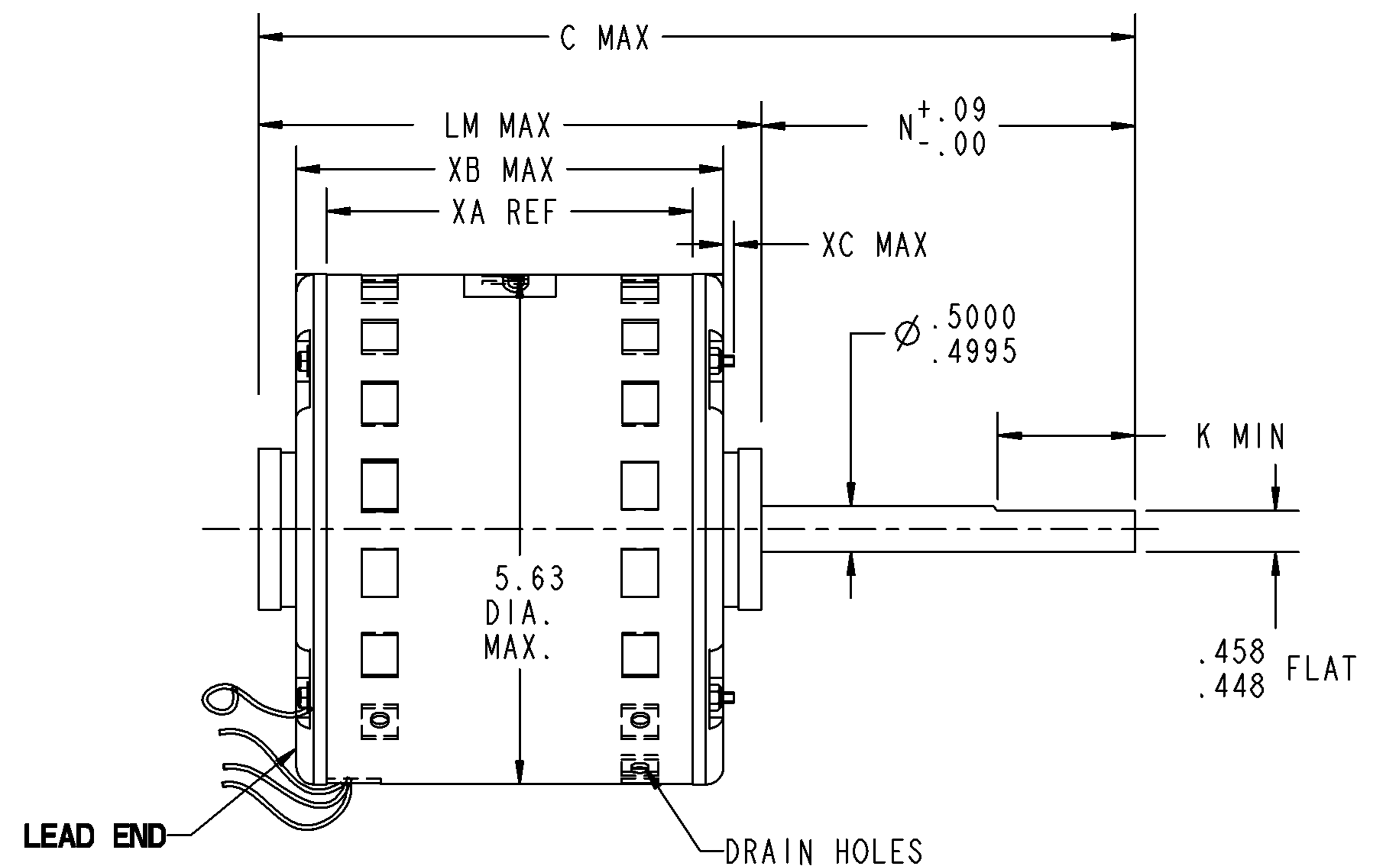
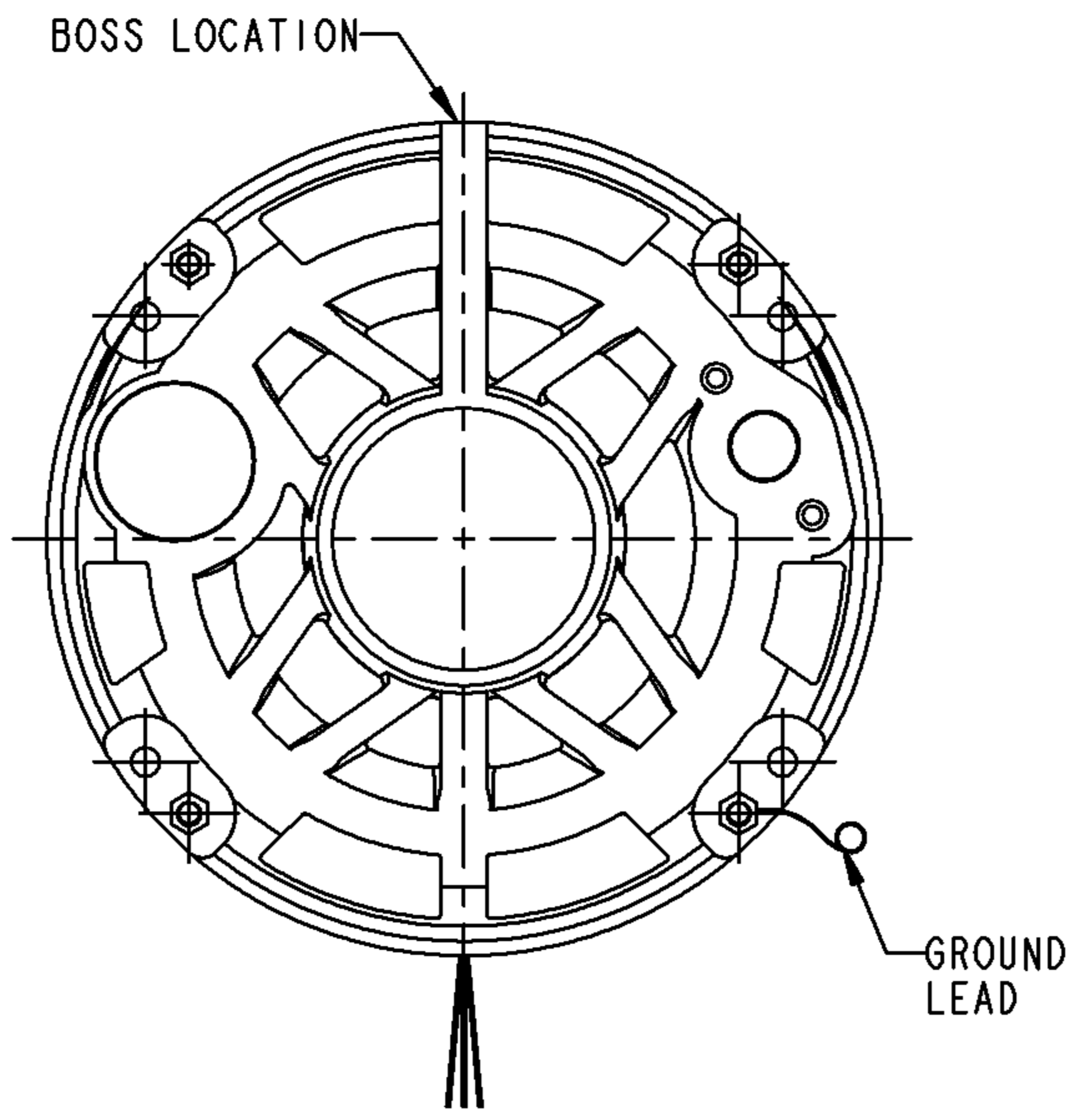


NAME: 100003107 OBJECT: 5KCP39GGY822S DATE: 20-Sep-07 16:04:23

| VENTILATION SYSTEM | |
|---------------------------|------|
| SHELL VENTS | OPEN |
| ENDSHIELD (OPP. LEAD END) | OPEN |
| ENDSHIELD (LEAD END) | OPEN |

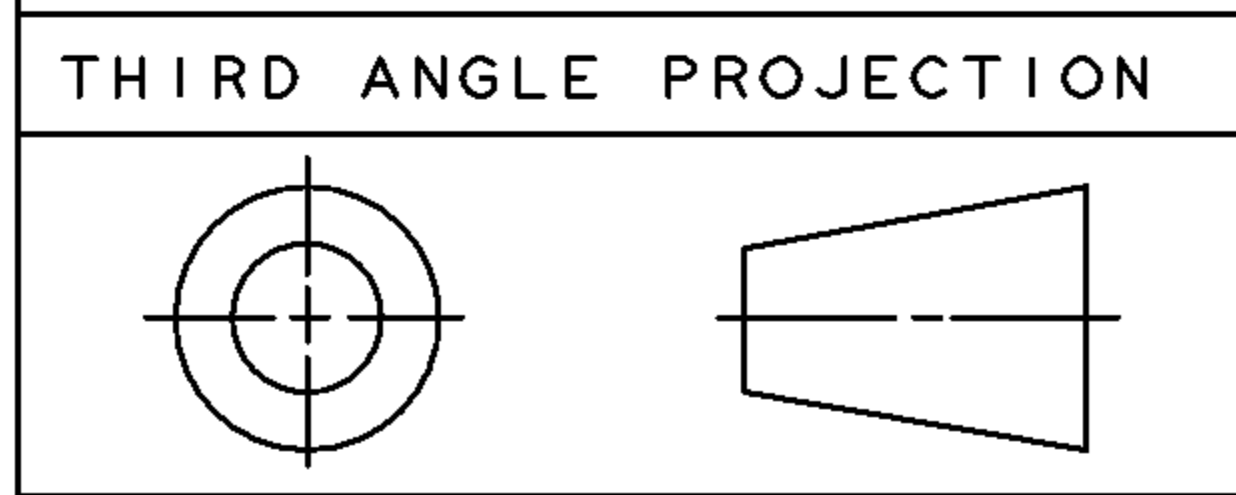
RBC PROPRIETARY AND CONFIDENTIAL INFORMATION
 This document is the property of REGAL BELOIT CORPORATION ("RBC") including its subsidiaries and divisions and contains proprietary information of RBC. This document is loaned on the express condition that neither it nor the information contained therein shall be disclosed to others without the express written consent of RBC, and that the information shall be used by the recipient only as approved expressly by RBC. This document shall be returned to RBC upon its request. This document may be subject to certain restrictions under U.S. export control laws and regulations.

| REVISIONS | | | |
|-----------|--------------------------|----------|----------|
| REV. | DESCRIPTION | DATE | APPROVED |
| 1 | REL TO PROD; IS: 08-1051 | 03/14/08 | RAMJ |



NOTE:
 1. DIMENSIONS SHOWN ARE NOMINAL UNLESS OTHERWISE SPECIFIED.

| | | | | | | | | |
|------|------|------|-----|-----|------|------|------|-----|
| | | | | | | | .14 | N/A |
| | | | | | | | XC | XD |
| 9.39 | 4.25 | 3.90 | N/A | N/A | 5.06 | 3.57 | 4.23 | |
| C | N | K | XN | XK | LM | XA | XB | |



| SNO | CONNECTION | COLOR | EXIT TYPE | EXIT LOC (VIEWING LE) | GAGE | MATERIAL | WALL THK | LENGTH | TERMINATION |
|-----|---------------------|---------|-------------|-----------------------|------|---------------|----------|--------|-------------------------------|
| 1 | COMMON LEAD | WHITE | SHELL NOTCH | 6:00 | 18 | THERMOPLASTIC | 4/64 | 27.00 | .187 X .20 ISQC RE LO INS FRC |
| 2 | CAPACITOR LEAD | BROWN | SHELL NOTCH | 6:00 | 18 | THERMOPLASTIC | 4/64 | 10.00 | .25 FQC |
| 3 | CAPACITOR LEAD | BROWN | SHELL NOTCH | 6:00 | 18 | THERMOPLASTIC | 4/64 | 10.00 | .25 FQC |
| 4 | HIGH SPEED LEAD | BLACK | SHELL NOTCH | 6:00 | 18 | THERMOPLASTIC | 4/64 | 27.00 | .25 FISQC LO INS FORCE |
| 5 | MED HIGH SPEED LEAD | YELLOW | SHELL NOTCH | 6:00 | 18 | THERMOPLASTIC | 4/64 | 27.00 | .25 FISQC LO INS FORCE |
| 6 | MED LOW SPEED LEAD | BLUE | SHELL NOTCH | 6:00 | 18 | THERMOPLASTIC | 4/64 | 27.00 | .25 FISQC LO INS FORCE |
| 7 | LOW SPEED LEAD | RED | SHELL NOTCH | 6:00 | 18 | THERMOPLASTIC | 4/64 | 27.00 | .25 FISQC LO INS FORCE |
| 8 | GROUND | GRN-YEL | CLAMPSCREW | 4:30 | 18 | THERMOPLASTIC | 2/64 | 12.00 | #10 SERR EYELET |

| NAMEPLATE DATA | |
|----------------|----------------------|
| MODEL | 5KCP39GGY822S |
| CUST P/N | STOCK NO 3906 |
| HP | 1/3 |
| RPM | 1075 |
| VOLTS | 115 |
| HZ | 60 |
| SPEEDS | 4 |
| AMPS | 5.20 |
| CAP REQD-1 | 5.00µfd/370Volts |
| CAP REQD-2 | N/R |
| CONN DRW* | NP24X327174 |
| ROTATION | CCW (VIEWED FROM LE) |

REGAL BELOIT CORPORATION FORTWAYNE, INDIANA

TITLE **MOTOR OUTLINE**
 (CUSTOMER NAME : DEF PUR)

SIZE B DRAWING **5KCP39GGY822S** REV 1

SCALE: NO ISSUED: 9/20/07 SHEET 1 of 1