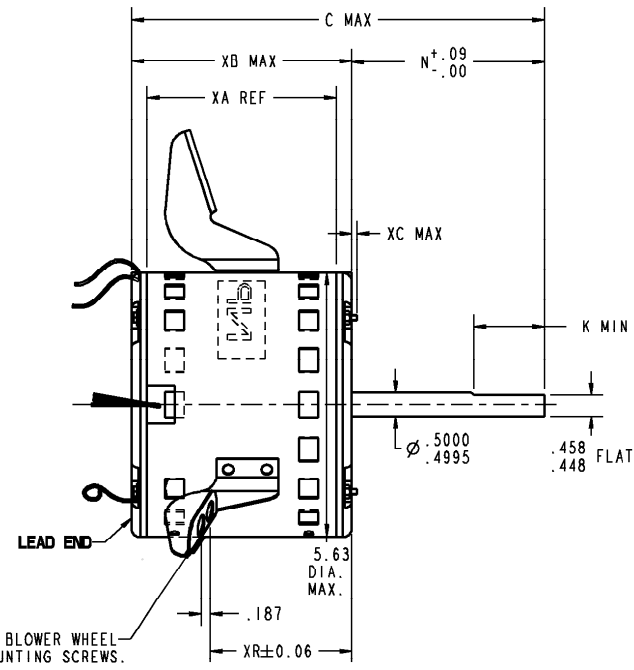
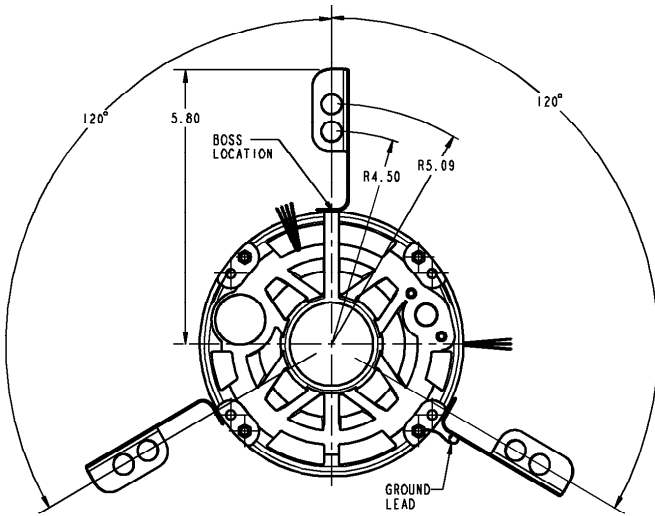


VENTILATION SYSTEM		RBC PROPRIETARY AND CONFIDENTIAL INFORMATION		REVISIONS			
SHELL VENTS	OPEN	This document is the property of REGAL BELOIT CORPORATION ("RBC") including its subsidiaries and divisions and contains proprietary information of RBC. This document is loaned on the express condition that neither it nor the information contained therein shall be disclosed to others without the express written consent of RBC, and that the information shall be used by the recipient only as approved expressly by RBC. This document shall be returned to RBC upon its request. This document may be subject to certain restrictions under U.S. export control laws and regulations.		REV.	DESCRIPTION	DATE	APPROVED
ENDSHIELD (OPP. LEAD END)	OPEN			1	REL TO NEW FORMAT	10/19/10	GSHONK
ENDSHIELD (LEAD END)	OPEN						

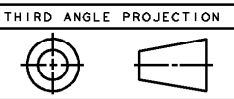


LUGS FOR 9/10" BLOWER WHEEL FOR .25 DIA MOUNTING SCREWS.

- NOTES:
1. THE THREE LUGS SHOULD FIT A CONICAL GAGE PLATE WITH THREE PINS .25 DIA LOCATED ON THE BASIC POSITIONS.
  2. MAX VARIATION BETWEEN ALL LUG MOUNTING SURFACES IS .040".
  3. DIMENSIONS SHOWN ARE NOMINAL UNLESS OTHERWISE SPECIFIED.

N/A	3.00	N/A	N/A	.14	N/A	N/A
XP	XR	XE	XF	XC	XD	YO
9.03	5.00	4.50	N/A	N/A	3.32	3.98
C	N	K	XN	XK	LM	XA

NO	CONNECTION	COLOR	END TYPE	EXIT LOC (VIEWED FROM LEAD)	GAGE	MATERIAL	WIRE DIA	LENGTH	TERMINATION	NAMEPLATE DATA	
1	COMMON LEAD	WHITE	SHELL NOTCH	3:00	18	THERMOPLASTIC	4/64	26.00	.50 BWS	MODEL	5KCP39DGP729S
2	REV LEAD	YELLOW	E/S VENT	11:20	18	THERMOPLASTIC	4/64	4.00	.25 STRT OC/1NS/ML	CUST P/N	STOCK NO 3782
3	CAPACITOR LEAD	BRN/WHT	SHELL NOTCH	3:00	18	THERMOPLASTIC	4/64	26.00	.25 STRT OC	HP	1/6
4	REV LEAD	ORANGE	E/S VENT	11:20	18	THERMOPLASTIC	4/64	4.00	.25 STRT OC/1NS/ML	RPM	1075
5	CAPACITOR LEAD	BROWN	SHELL NOTCH	3:00	18	THERMOPLASTIC	4/64	26.00	.25 STRT OC	VOLTS	115
6	REV LEAD	BROWN	E/S VENT	11:20	18	THERMOPLASTIC	4/64	4.00	.25 STRT-OC/1NS	HZ	60
7	HIGH SPEED LEAD	BLACK	SHELL NOTCH	3:00	18	THERMOPLASTIC	4/64	26.00	.50 BWS	# SPEEDS	3
8	MED SPEED LEAD	BLUE	SHELL NOTCH	3:00	18	THERMOPLASTIC	4/64	26.00	.50 BWS	AMPS	2.50
9	LOW SPEED LEAD	RED	SHELL NOTCH	3:00	18	THERMOPLASTIC	4/64	26.00	.50 BWS	CAP REQD-1	5.00µfd/370Volts
10	REV LEAD	PURPLE	E/S VENT	11:20	18	THERMOPLASTIC	4/64	4.00	.25 STRT-OC/1NS	CAP REQD-2	N/R
11	GROUND	GRN-YEL	CLAMPSCREW	4:30	18	THERMOPLASTIC	2/64	12.00	#10 EYELET	CONN. DRW	NP24X327722
										ROTATION	CCW/CW (VIEWED FROM LEAD)



**REGAL BELOIT** REGAL-BELOIT CORPORATION FORTWAYNE, INDIANA

TITLE **MOTOR OUTLINE**  
(CUSTOMER NAME : DEF PUR )

SIZE B DRAWING 5KCP39DGP729S REV 1

SCALE: NO ISSUED: 10/19/10 SHEET 1 of 1