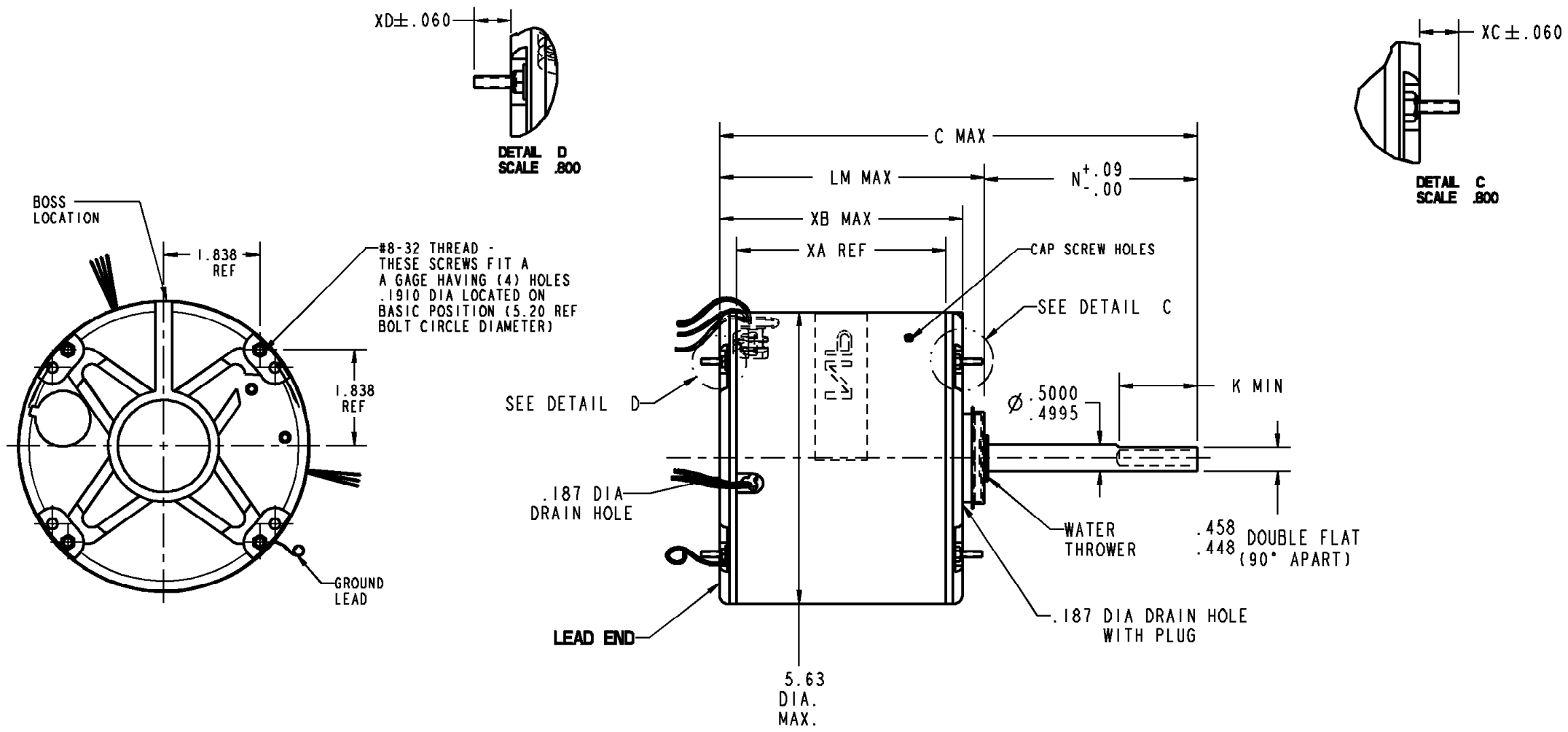


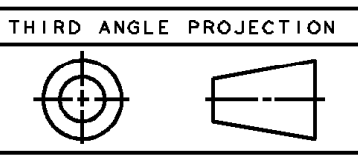
NAME: 100020344 OBJECT: 5KCP39SGT039AS DATE: 08-Dec-11 14:47:02

| VENTILATION SYSTEM | | RBC PROPRIETARY AND CONFIDENTIAL INFORMATION This document is the property of REGAL BELOIT CORPORATION ("RBC") including its subsidiaries and divisions and contains proprietary information of RBC. This document is loaned on the express condition that neither it nor the information contained therein shall be disclosed to others without the express written consent of RBC, and that the information shall be used by the recipient only as approved expressly by RBC. This document shall be returned to RBC upon its request. This document may be subject to certain restrictions under U.S. export control laws and regulations. | REVISIONS | | | |
|---------------------------|--------|--|-----------|----------------------------|----------|----------|
| SHELL VENTS | CLOSED | | REV. | DESCRIPTION | DATE | APPROVED |
| ENDSHIELD (OPP. LEAD END) | CLOSED | | 1 | REL TO PROD PER IS:11-2171 | 12/08/11 | PRANEETH |
| ENDSHIELD (LEAD END) | CLOSED | | | | | |



NOTE:
1. DIMENSIONS SHOWN ARE NOMINAL UNLESS OTHERWISE SPECIFIED.

| | | | | | | | |
|-------|------|------|-----|-----|------|------|------|
| | | | | | | .75 | .50 |
| | | | | | | XC | XD |
| 12.71 | 6.00 | 5.50 | N/A | N/A | 6.64 | 5.57 | 6.23 |
| C | N | K | XN | XK | LM | XA | XB |



| NO | CONNECTION | COLOR | ENT TYPE | ENT LOC (WIND LG) | GAGE | MATERIAL | WALL THK | LENGTH | TERMINATION |
|----|-----------------|---------|----------------|-------------------|------|---------------|----------|--------|-----------------|
| 1 | COMMON LEAD | YELLOW | 4-5 LD BUSHING | 3:20 | 18 | THERMOPLASTIC | 4/64 | 26.00 | .50 BWS |
| 2 | REV LEAD | YELLOW | 4-5 LD BUSHING | 11:20 | 18 | THERMOPLASTIC | 4/64 | 3.00 | .25 STRT QC/INS |
| 3 | CAPACITOR LEAD | BRW/WHT | 4-5 LD BUSHING | 3:20 | 18 | THERMOPLASTIC | 4/64 | 26.00 | .25 FLAG QC |
| 4 | REV LEAD | ORANGE | 4-5 LD BUSHING | 11:20 | 18 | THERMOPLASTIC | 4/64 | 3.00 | .25 STRT QC/INS |
| 5 | CAPACITOR LEAD | BROWN | 4-5 LD BUSHING | 3:20 | 18 | THERMOPLASTIC | 4/64 | 26.00 | .25 FLAG QC |
| 6 | REV LEAD | BROWN | 4-5 LD BUSHING | 11:20 | 18 | THERMOPLASTIC | 4/64 | 3.00 | .25 STRT QC/INS |
| 7 | HIGH SPEED LEAD | BLACK | 4-5 LD BUSHING | 3:20 | 18 | THERMOPLASTIC | 4/64 | 26.00 | .50 BWS |
| 8 | REV LEAD | PURPLE | 4-5 LD BUSHING | 11:20 | 18 | THERMOPLASTIC | 4/64 | 3.00 | .25 STRT QC/INS |
| 9 | GROUND | GRN-YEL | CLAMPSCREW | 4:30 | 18 | THERMOPLASTIC | 2/64 | 12.00 | #10 EYELET |

| NAMEPLATE DATA | |
|----------------|-------------------------|
| MODEL | 5KCP39SGT039AS |
| CUST P/N | STOCK NO 3731 |
| HP | 3/4 |
| RPM | 1075 |
| VOLTS | 208-230 |
| HZ | 60 |
| SPEEDS | 1 |
| AMPS | 4.70 |
| CAP REQD-1 | 10.00µfd/370Volts |
| CAP REQD-2 | N/R |
| CONN DRW | NP24X327691 |
| ROTATION | CCW/CW (VIEWED FROM LE) |

REGAL BELOIT CORPORATION FORTWAYNE, INDIANA

TITLE: **MOTOR OUTLINE**
(CUSTOMER NAME: DEF PUR)

SIZE B DRAWING **5KCP39SGT039AS** REV 1

SCALE: NO ISSUED: 12/08/11 SHEET 1 of 1