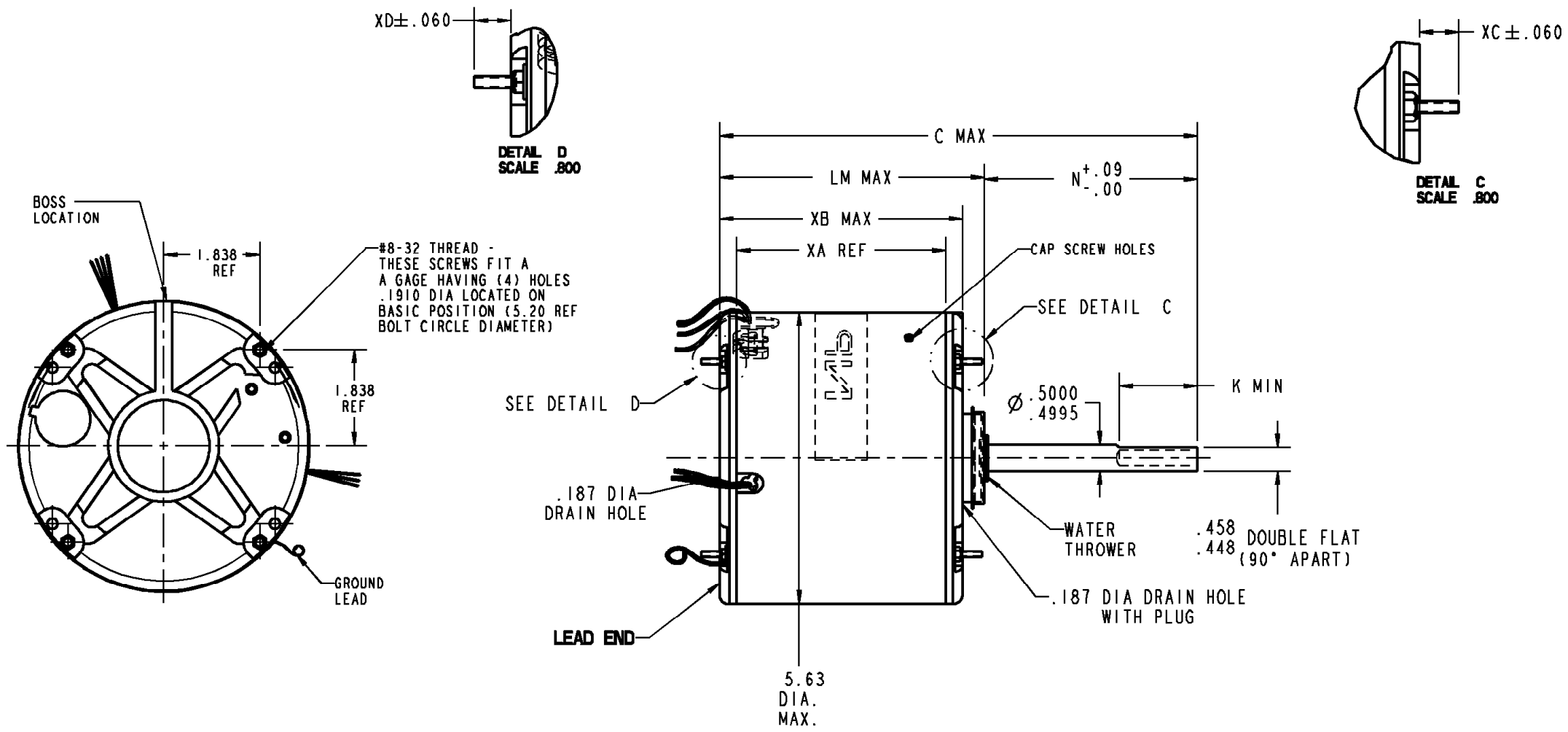


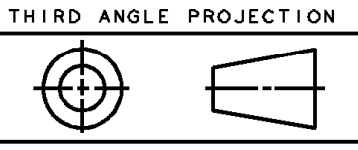
NAME: 100020344 OBJECT: 5KCP39FGM599AS DATE: 07-Dec-11 18:02:25

VENTILATION SYSTEM		RBC PROPRIETARY AND CONFIDENTIAL INFORMATION This document is the property of REGAL BELOIT CORPORATION ("RBC") including its subsidiaries and divisions and contains proprietary information of RBC. This document is loaned on the express condition that neither it nor the information contained therein shall be disclosed to others without the express written consent of RBC, and that the information shall be used by the recipient only as approved expressly by RBC. This document shall be returned to RBC upon its request. This document may be subject to certain restrictions under U.S. export control laws and regulations.	REVISIONS			
SHELL VENTS	CLOSED		REV.	DESCRIPTION	DATE	APPROVED
ENDSHIELD (OPP. LEAD END)	CLOSED		1	REL TO PROD PER IS:11-2171	12/07/11	PRANEETH



NOTE:
1. DIMENSIONS SHOWN ARE NOMINAL UNLESS OTHERWISE SPECIFIED.

						.75	.75
						XC	XD
10.71	6.00	5.50	N/A	N/A	4.64	3.57	4.23
C	N	K	XN	XK	LM	XA	XB



NO	CONNECTION	COLOR	EXIT TYPE	EXIT LOC (MEASD LB)	GAGE	MATERIAL	WALL THK	LENGTH	TERMINATION
1	COMMON LEAD	YELLOW	4-5 LD BUSHING	3:20	18	THERMOPLASTIC	4/64	26.00	.50 BWS
2	REV LEAD	YELLOW	4-5 LD BUSHING	11:20	18	THERMOPLASTIC	4/64	4.00	.25 STRT QC/INS
3	CAPACITOR LEAD	BROWN	4-5 LD BUSHING	3:20	18	THERMOPLASTIC	4/64	26.00	.25 FLAG QC
4	REV LEAD	BROWN	4-5 LD BUSHING	11:20	18	THERMOPLASTIC	4/64	4.00	.25 STRT QC/INS
5	CAPACITOR LEAD	BRN/WHT	4-5 LD BUSHING	3:20	18	THERMOPLASTIC	4/64	26.00	.25 FLAG QC
6	REV LEAD	ORANGE	4-5 LD BUSHING	11:20	18	THERMOPLASTIC	4/64	4.00	.25 STRT QC/INS
7	HIGH SPEED LEAD	BLACK	4-5 LD BUSHING	3:20	18	THERMOPLASTIC	4/64	26.00	.50 BWS
8	REV LEAD	PURPLE	4-5 LD BUSHING	11:20	18	THERMOPLASTIC	4/64	4.00	.25 STRT QC/INS
9	GROUND	GRN-YEL	CLAMPSCREW	4:30	18	THERMOPLASTIC	2/64	12.00	#10 EYELET

NAMEPLATE DATA	
MODEL	5KCP39FGM599AS
CUST P/N	STOCK NO 3728
HP	1/4
RPM	1075
VOLTS	208-230
HZ	60
SPEEDS	1
AMPS	1.80
CAP REQD-1	5.00µfd/370Volts
CAP REQD-2	N/R
CONN DRW	NP24X327691
ROTATION	CCW/CW (VIEWED FROM LE)

REGAL BELOIT CORPORATION FORTWAYNE, INDIANA

TITLE: **MOTOR OUTLINE**
(CUSTOMER NAME: DEF PUR)

SIZE B DRAWING **5KCP39FGM599AS** REV 1

SCALE: NO ISSUED: 12/07/11 SHEET 1 of 1