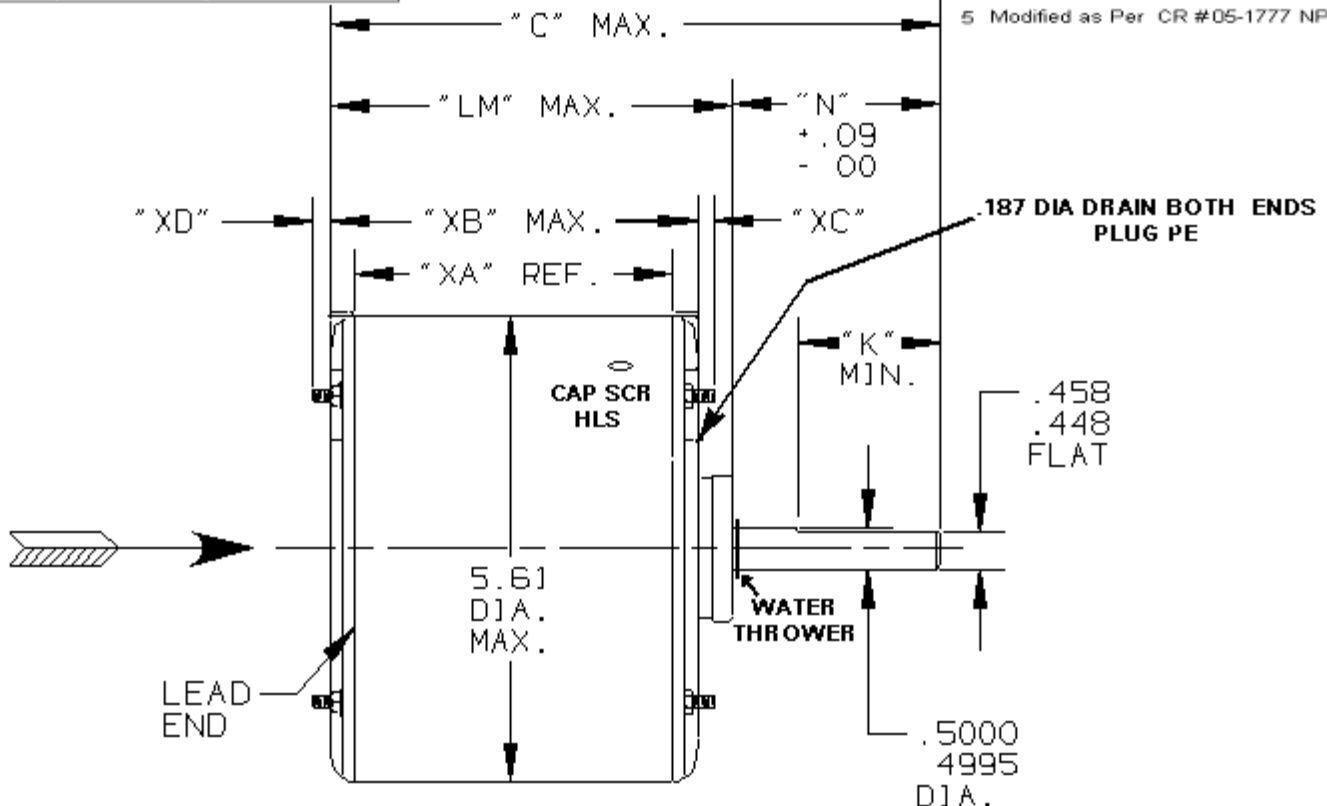


RBC PROPRIETARY AND CONFIDENTIAL INFORMATION
 This document is the property of REGAL-BELOIT CORPORATION ("RBC") including its subsidiaries and divisions and contains proprietary information of RBC. This document is loaned on the express condition that neither it nor the information contained there in shall be disclosed to others without the express written consent of RBC and that the information shall be used by the recipient only as approved expressly by RBC. This document shall be returned to RBC upon its request. This document may be subject to certain restrictions under the U.S. export control laws and regulations.

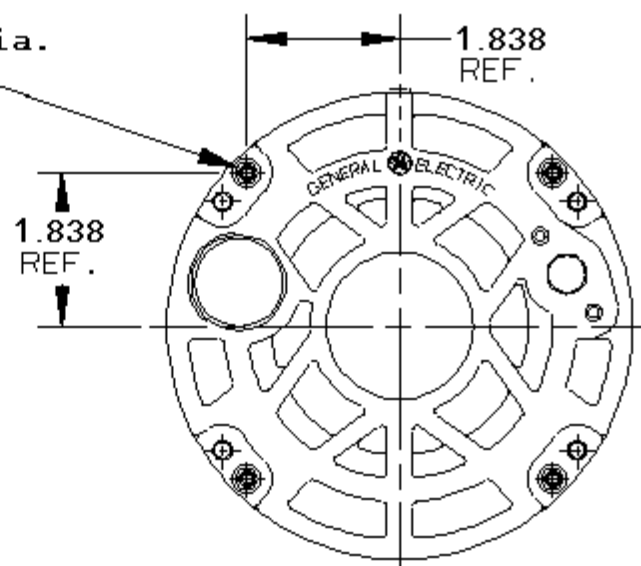
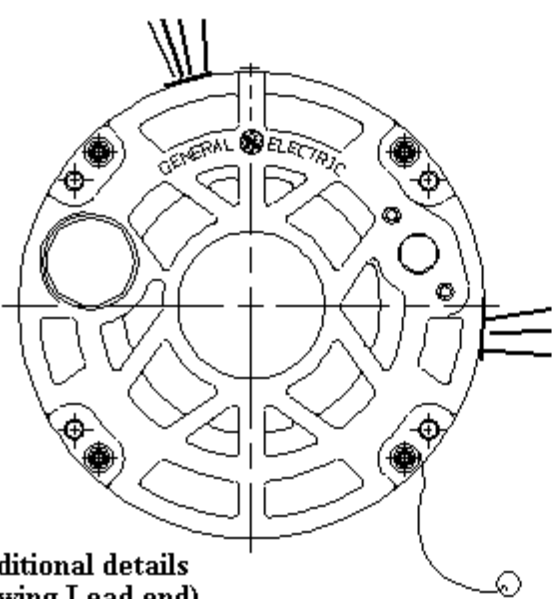
STOCK

REVISIONS	
REV	DESCRIPTION
1	CAS 12/13/94 REISSUED
2	CAS 03/05/99 TB9014
3	JAM 04/26/99 REV PER TB950
4	CAS 01/09/01 REMOVE OILERS
5	Modified as Per CR #05-1777 NP 8/24/05

MODEL



#8-32 thread-These screws fit a gage having (4) holes .1910 dia. located on basic position



Clampscrew position when "XC" or "XD" exceed .14". If "XC" or "XD" = .14 it is a max. dimension, but if greater than .14, value given is -.00/+.14. If extra nuts are furnished for spacing, dimension is from nut next to endshield.

10.71	6.00	5.50	4.64	3.57	4.23	.75	.75
"C"	"N"	"K"	"LM"	"XA"	"XB"	"XC"	"XD"

Rotation ccw/cw viewed in direction of arrow.

Ventilation System:

- Shell vents - CLOSED
- End shield (opp. lead end) - CLOSED
- End shield (lead end) - CLOSED
- Leads exit thru SHELL 100 degrees CW from top of motor viewed in direction of arrow.



REGAL-BELOIT CORPORATION
 FORT WAYNE, INDIANA

MOTOR OUTLINE

MODEL	ISSUED	SCALE
5KCP39DGS375 S	CAS 10/4/94	NO

CAD. NO. FH1N