

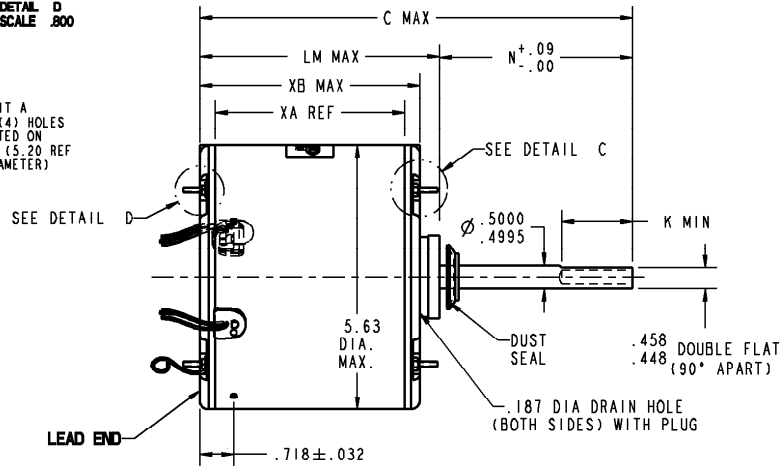
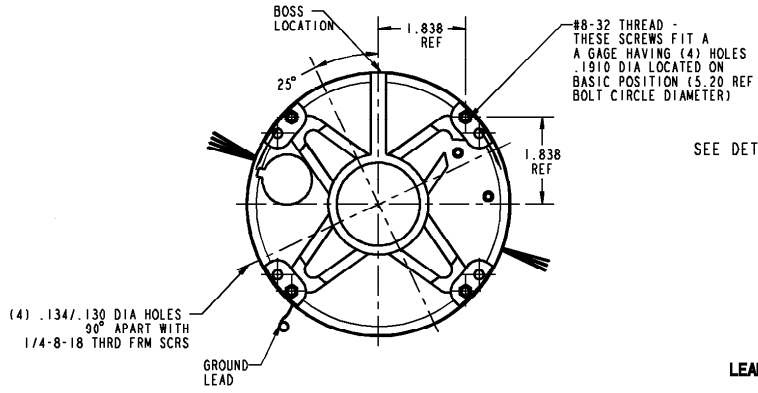
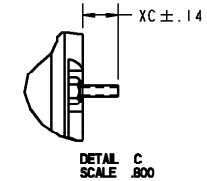
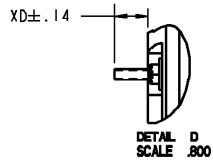
NAME: 100020344 OBJECT: 5KCP39DGU716AS DATE: 17-Aug-11 16:30:20

SIZE B DRAWING NO. 5KCP39DGU716AS REV 1 SHEET 1

VENTILATION SYSTEM	
SHELL VENTS	CLOSED
ENDSHIELD (OPP. LEAD END)	CLOSED
ENDSHIELD (LEAD END)	CLOSED

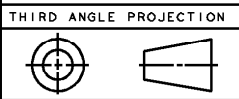
RBC PROPRIETARY AND CONFIDENTIAL INFORMATION
 This document is the property of REGAL BELOIT CORPORATION ("RBC") including its subsidiaries and divisions and contains proprietary information of RBC. This document is loaned on the express condition that neither it nor the information contained therein shall be disclosed to others without the express written consent of RBC, and that the information shall be used by the recipient only as approved expressly by RBC. This document shall be returned to RBC upon its request. This document may be subject to certain restrictions under U.S. export control laws and regulations.

REVISIONS			
REV.	DESCRIPTION	DATE	APPROVED
1	REL TO PROD PER IS:11-2171	08/17/11	GREG



NOTE:
 1. DIMENSIONS SHOWN ARE NOMINAL UNLESS OTHERWISE SPECIFIED.

	10.96	6.50	5.50	N/A	N/A	4.39	3.32	3.98
	C	N	K	XN	XK	LM	XA	XB
							1.00	.75
							XC	XD



WIRE	CONNECTION	COLOR	END TYPE	EXIT LOC. (FROM LEAD)	QTY	MATERIAL	WIRE DIA.	LENGTH	TERMINATION
1	COMMON LEAD	WHITE	4-5 LD BUSHING	3:40	18	THERMOPLASTIC	4/64	48.00	50 BWS
2	REV LEAD	YELLOW	2-3 LD BUSHING	9:40	18	VULKENE	2/64	4.00	MALE REVERSING PLUG
3	CAPACITOR LEAD	BRN/WHI	4-5 LD BUSHING	3:40	18	THERMOPLASTIC	4/64	48.00	.25 FOC
4	REV LEAD	ORANGE	2-3 LD BUSHING	9:40	18	VULKENE	2/64	4.00	MALE REVERSING PLUG
5	CAPACITOR LEAD	BROWN	4-5 LD BUSHING	3:40	18	THERMOPLASTIC	4/64	48.00	.25 FOC
6	REV LEAD	BROWN	2-3 LD BUSHING	9:40	18	VULKENE	2/64	4.00	FEMALE REVERSING PLUG
7	HIGH SPEED LEAD	BLACK	4-5 LD BUSHING	3:40	18	THERMOPLASTIC	4/64	48.00	50 BWS
8	REV LEAD	PURPLE	2-3 LD BUSHING	9:40	18	VULKENE	2/64	4.00	FEMALE REVERSING PLUG
9	GROUND	GRN-YEL	CLAMPSCREW	7:30	18	THERMOPLASTIC	2/64	12.00	#10 EYELET

NAMEPLATE DATA	
MODEL	5KCP39DGU716AS
CLUST P/N	STOCK NO 3726HS
HP	1/6
RPM	1075
VOLTS	208-230
HZ	60
* SPEEDS	1
AMPS	1.00
CAP REQD-1	5.00µfd/370Volts
CAP REQD-2	N/R
CONN GRP	NP24X327691
ROTATION	CCW/CW (VIEWED FROM LEAD END)

REGAL BELOIT CORPORATION
 FORTWAYNE, INDIANA

TITLE: **MOTOR OUTLINE**
 (CUSTOMER NAME : DEF PUR)

SIZE B DRAWING: **5KCP39DGU716AS** REV 1

SCALE: NO ISSUED: 08/17/11 SHEET 1 of 1