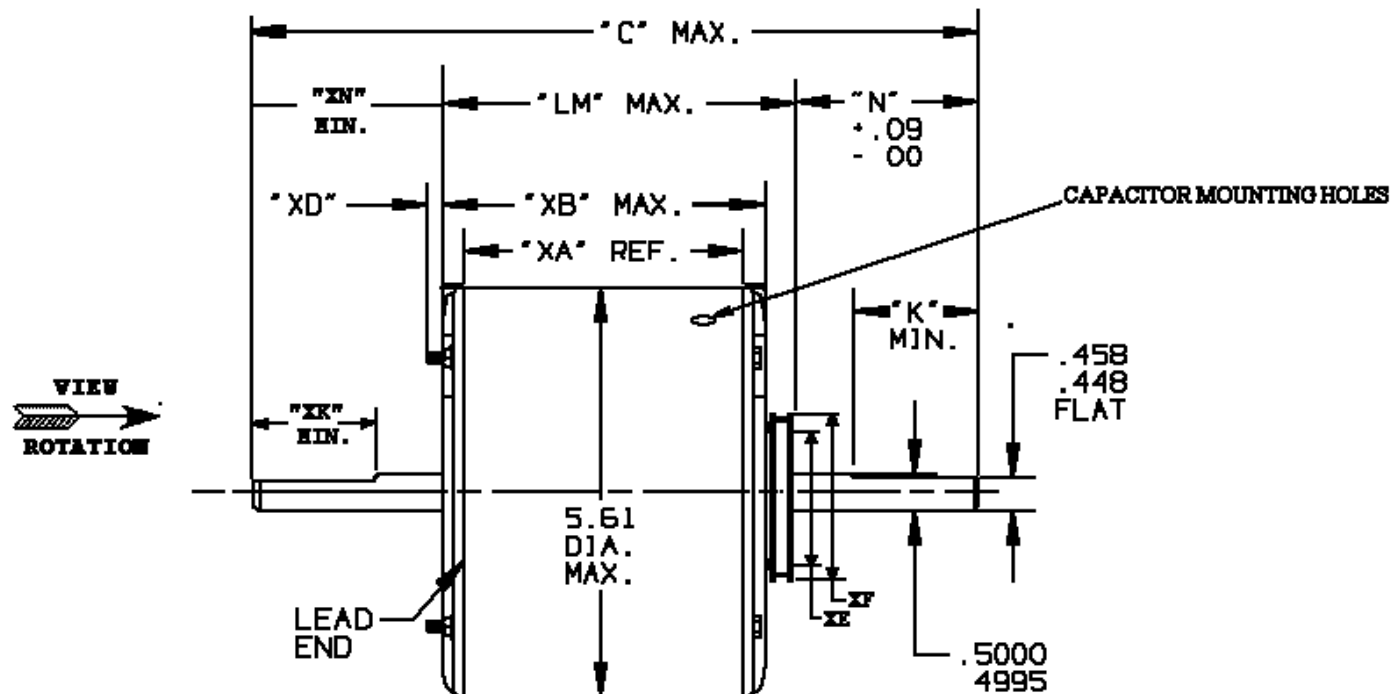


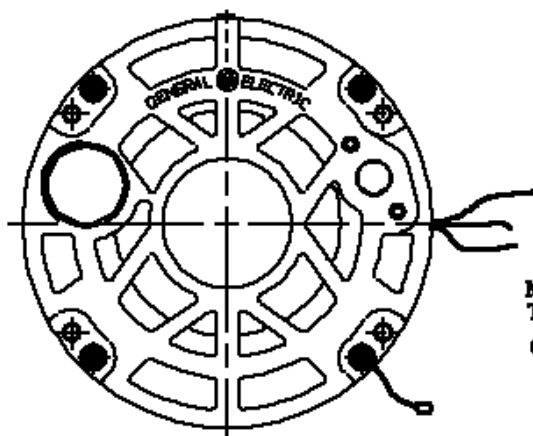
RBC PROPRIETARY AND CONFIDENTIAL INFORMATION
 The document is the property of REGAL-BELOIT CORPORATION ("RBC") and its subsidiaries and divisions and contains proprietary information of RBC. The document is loaned to the recipient under the express written consent of RBC and the information shall be disclosed to others without the express written consent of RBC and the information shall be used by the recipient only as approved expressly by RBC. The document shall be returned to RBC upon request. The document may be subject to certain restrictions under the US export control laws and regulations.

GE STOCK #3691

REVISIONS	
REV	DESCRIPTION
1	JAN 06/14/97 TO ELECTRONIC FORMAT
2	CAS 01/09/01 REMOVE DIMS
3	MODIFIED THE FORMAT PER CR/MS-1777 RB 08/23/05

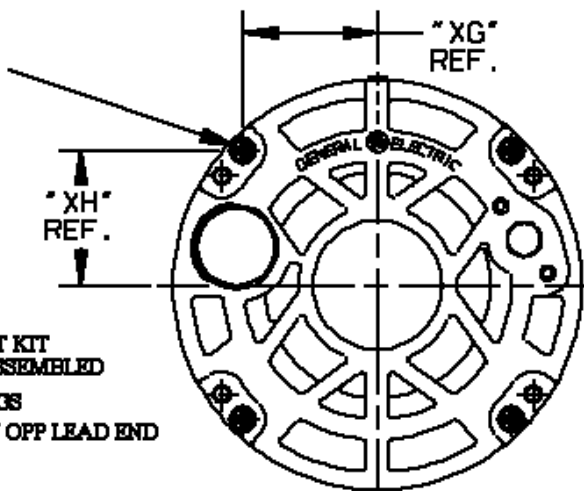


#8-32 thread—These screws fit a gage having (4) holes .1910 dia. located on basic hole position.



**ADDITIONAL DETAILS
 [VIEWING LEAD END]**

MOUNTING BRACKET KIT
 TO BE SHIPPED UNASSEMBLED
 OIL HOLES AND PLUGS
 GROUND LEAD ON OPP LEAD END



Clampscrew position when "XC" or "XD" exceed .14"
 If "XC" or "XD" = .14 it is a Max. dim.
 but if greater than .14, value given is -.00/+.14.
 If extra nuts are furnished for spacing,

20.00	7.00	7.27	6.60	6.80	5.64	4.57	5.23	-	1.50	2.22	2.25	1.838	1.838	7.12
C	N	XN	K	XK	LM	XA	XB	XC	XD	XE	XF	XG	XH	YO

ROTATION CCW VIEWED IN DIRECTION OF ARROW.
 VENTILATION SYSTEM
 SHELL OPEN BOTTOM 180°
 OPPOSITE LEAD END SHIELD OPEN
 LEAD END SHIELD OPEN
 LEADS EXIT THRU SHELL @ 90 DEGREES FROM
 TOP OF MOTOR VIEWED IN DIRECTION OF ARROW



REGAL-BELOIT CORPORATION
 FORT WAYNE, INDIANA

MOTOR OUTLINE

MODEL	1990ED	SCALE
5KCP39PG5081ET	RAW 3/05/76	NO

CAD. NO. FR2N

(OL660)