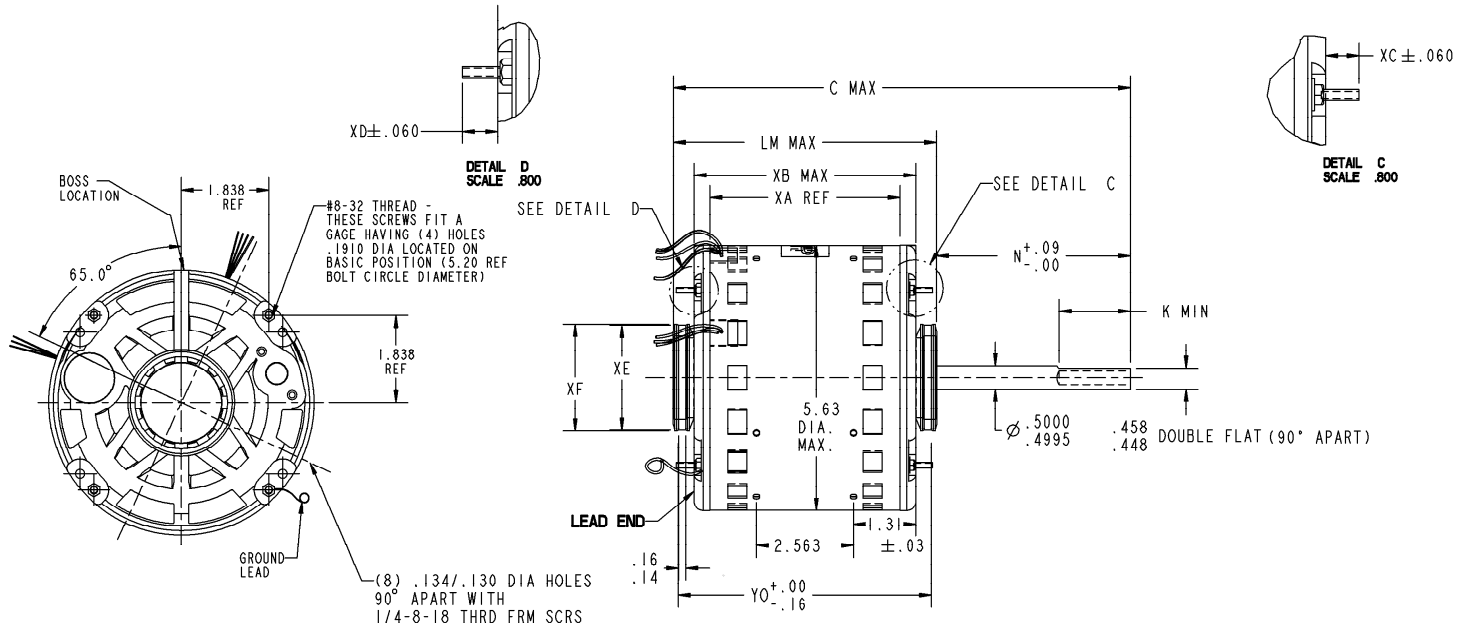


NAME: 100006680 OBJECT: 5KCP39NGU364BS DATE: 19-Jan-09 20:53:58

VENTILATION SYSTEM		RBC PROPRIETARY AND CONFIDENTIAL INFORMATION This document is the property of REGAL BELOIT CORPORATION ("RBC") including its subsidiaries and divisions and contains proprietary information of RBC. This document is loaned on the express condition that neither it nor the information contained therein shall be disclosed to others without the express written consent of RBC, and that the information shall be used by the recipient only as approved expressly by RBC. This document shall be returned to RBC upon its request. This document may be subject to certain restrictions under U.S. export control laws and regulations.	REVISIONS			
SHELL VENTS	OPEN		REV.	DESCRIPTION	DATE	APPROVED
ENDSHIELD (OPP. LEAD END)	OPEN		2	CORRECTED DRG FOR REV LD LEN PER IS:09-0406	08/10/10	AVL
ENDSHIELD (LEAD END)	OPEN					



NOTE:  
1. DIMENSIONS SHOWN ARE NOMINAL UNLESS OTHERWISE SPECIFIED.

	2.44	2.50	.75	.75	5.890
	XE	XF	XC	XD	YO
	11.14	5.00	4.00	N/A	N/A
	C	N	K	XN	XK
				LM	XA
					XB

END	CONNECTION	COLOR	ENT TYPE	EXIT LDC (WINDING LE)	GAGE	MATERIAL	WALL THK	LENGTH	TERMINATION
1	COMMON LEAD	WHITE	SHELL NOTCH	9:40	18	THERMOPLASTIC	4/64	38.00	.25 FOC
2	REV LEAD	YELLOW	SHELL NOTCH	12:40	18	VULKENE	4/64	4.00	MALE REVERSING PLUG
3	CAPACITOR LEAD	BROWN	SHELL NOTCH	9:40	18	THERMOPLASTIC	4/64	38.00	.25 FOC
4	REV LEAD	ORANGE	SHELL NOTCH	12:40	18	VULKENE	4/64	4.00	MALE REVERSING PLUG
5	CAPACITOR LEAD	BROWN	SHELL NOTCH	9:40	18	THERMOPLASTIC	4/64	38.00	.25 FOC
6	REV LEAD	BROWN	SHELL NOTCH	12:40	18	VULKENE	4/64	4.00	FEMALE REVERSING PLUG
7	HIGH SPEED LEAD	BLACK	SHELL NOTCH	9:40	18	THERMOPLASTIC	4/64	38.00	.25 FOC
8	MED HIGH SPEED LEAD	BLUE	SHELL NOTCH	9:40	18	THERMOPLASTIC	4/64	38.00	.25 FOC
9	MED LOW SPEED LEAD	YELLOW	SHELL NOTCH	9:40	18	THERMOPLASTIC	4/64	38.00	.25 FOC
10	LOW SPEED LEAD	RED	SHELL NOTCH	9:40	18	THERMOPLASTIC	4/64	38.00	.25 FOC
11	REV LEAD	PURPLE	SHELL NOTCH	12:40	18	VULKENE	4/64	4.00	FEMALE REVERSING PLUG
12	GROUND	GRN-YEL	CLAMPSCREW	4:30	18	THERMOPLASTIC	2/64	6.00	#10 EYELET

NAMEPLATE DATA	
MODEL	5KCP39NGU364BS
CUST P/N	STOCK NO 3467
HP	3/4
RPM	1075
VOLTS	208-230
HZ	60
* SPEEDS	4
AMPS	4.20
CAP REGTD-1	20.00µfd/370Volts
CAP REGTD-2	N/R
CONNL DRW*	N/R
ROTATION	CCW/CW (VIEWED FROM LE)

REGAL-BELOIT CORPORATION  
FORTWAYNE, INDIANA

TITLE **MOTOR OUTLINE**  
(CUSTOMER NAME: REGAL BELOIT)

SIZE B DRAWING **5KCP39NGU364BS** REV 2

SCALE: NO ISSUED: 1/17/09 SHEET 1 of 1

