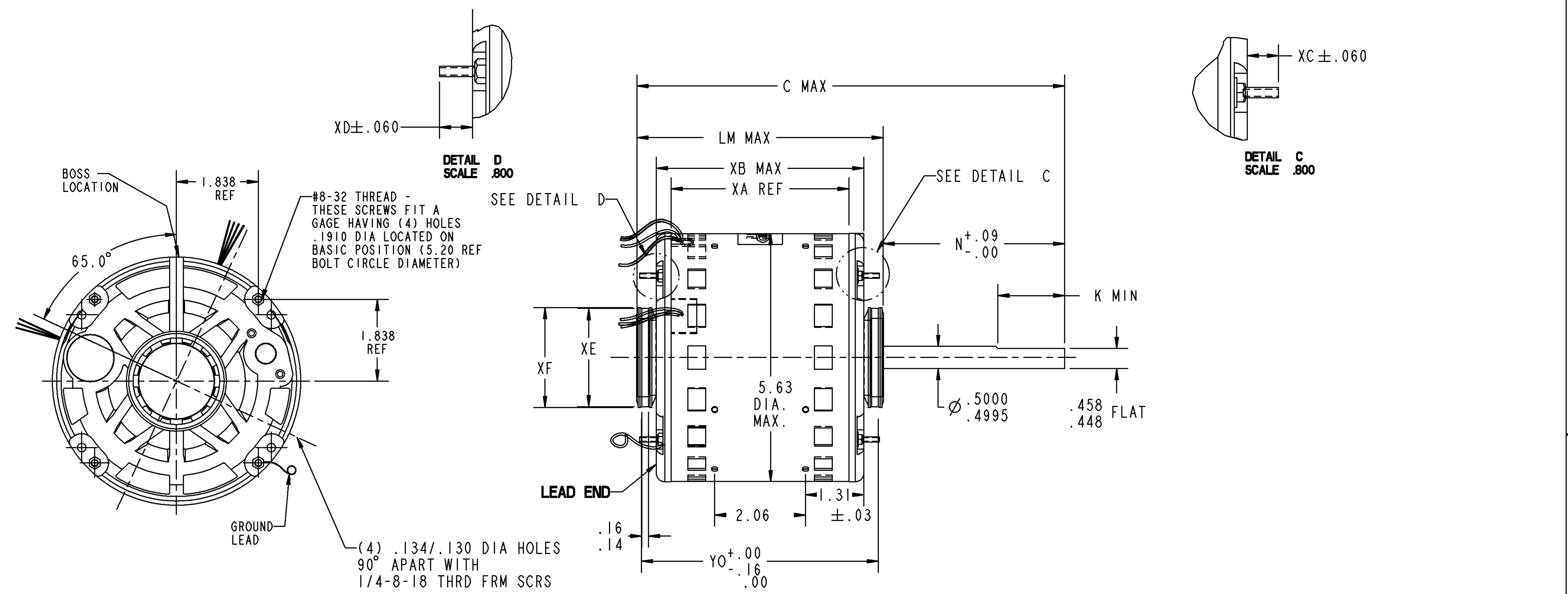


NAME: 100006680 OBJECT: 5KCP39KGV805BS DATE: 19-Jan-09 20:15:11

VENTILATION SYSTEM	
SHELL VENTS	OPEN
ENDSHIELD (OPP. LEAD END)	OPEN
ENDSHIELD (LEAD END)	OPEN

RBC PROPRIETARY AND CONFIDENTIAL INFORMATION
 This document is the property of REGAL BELOIT CORPORATION ("RBC") including its subsidiaries and divisions and contains proprietary information of RBC. This document is loaned on the express condition that neither it nor the information contained therein shall be disclosed to others without the express written consent of RBC, and that the information shall be used by the recipient only as approved expressly by RBC. This document shall be returned to RBC upon its request. This document may be subject to certain restrictions under U.S. export control laws and regulations.

REVISIONS			
REV.	DESCRIPTION	DATE	APPROVED
1	REV LEAD TER CHANGED	01/19/09	AVL
2	SHAFT FLAT CHAN TO SINGLE FLAT	01/19/09	AVL



NOTE:
 1. DIMENSIONS SHOWN ARE NOMINAL UNLESS/OTHERWISE SPECIFIED.

	2.44	2.50	.75	1.25	5.390
	XE	XF	XC	XD	YO
10.64	5.00	4.00	N/A	N/A	5.59
C	N	K	XN	XK	LM
			XA		XB

SNO	CONNECTION	COLOR	EXIT TYPE	EXIT LOC (VIEWING LE)	GAGE	MATERIAL	WALL THK	LENGTH	TERMINATION
1	COMMON LEAD	WHITE	SHELL NOTCH	9:40	18	THERMOPLASTIC	4/64	38.00	.25 FQC
2	REV LEAD	YELLOW	SHELL NOTCH	12:40	18	VULKENE	2/64	4.00	MALE REVERSING PLUG
3	CAPACITOR LEAD	BROWN	SHELL NOTCH	9:40	18	THERMOPLASTIC	4/64	38.00	.25 FQC
4	REV LEAD	ORANGE	SHELL NOTCH	12:40	18	VULKENE	2/64	4.00	MALE REVERSING PLUG
5	CAPACITOR LEAD	BROWN	SHELL NOTCH	9:40	18	THERMOPLASTIC	4/64	38.00	.25 FQC
6	REV LEAD	BROWN	SHELL NOTCH	12:40	18	VULKENE	2/64	6.00	FEMALE REVERSING PLUG
7	HIGH SPEED LEAD	BLACK	SHELL NOTCH	9:40	18	THERMOPLASTIC	4/64	38.00	.25 FQC
8	MED HIGH SPEED LEAD	BLUE	SHELL NOTCH	9:40	18	THERMOPLASTIC	4/64	38.00	.25 FQC
9	MED LOW SPEED LEAD	YELLOW	SHELL NOTCH	9:40	18	THERMOPLASTIC	4/64	38.00	.25 FQC
10	LOW SPEED LEAD	RED	SHELL NOTCH	9:40	18	THERMOPLASTIC	4/64	38.00	.25 FQC
11	REV LEAD	PURPLE	SHELL NOTCH	12:40	18	VULKENE	2/64	4.00	FEMALE REVERSING PLUG
12	GROUND	GRN-YEL	CLAMPSCREW	4:30	18	THERMOPLASTIC	2/64	6.00	#10 EYELET

NAMEPLATE DATA	
MODEL	5KCP39KGV805BS
CUST P/N	STOCK NO 3464
HP	1/2
RPM	1075
VOLTS	208-230
HZ	60
* SPEEDS	4
AMPS	2.70
CAP REQ'D-1	10.00µfd/370Volts
CAP REQ'D-2	N/R
CONN. DRW*	N/R
ROTATION	CCW/CW (VIEWED FROM LE)

REGAL BELOIT CORPORATION
 FORTWAYNE, INDIANA

TITLE: **MOTOR OUTLINE**
 (CUSTOMER NAME: REGAL BELOIT)

SIZE: B DRAWING: 5KCP39KGV805BS REV: 2

SCALE: NO ISSUED: 1/19/09 SHEET 1 of 1

