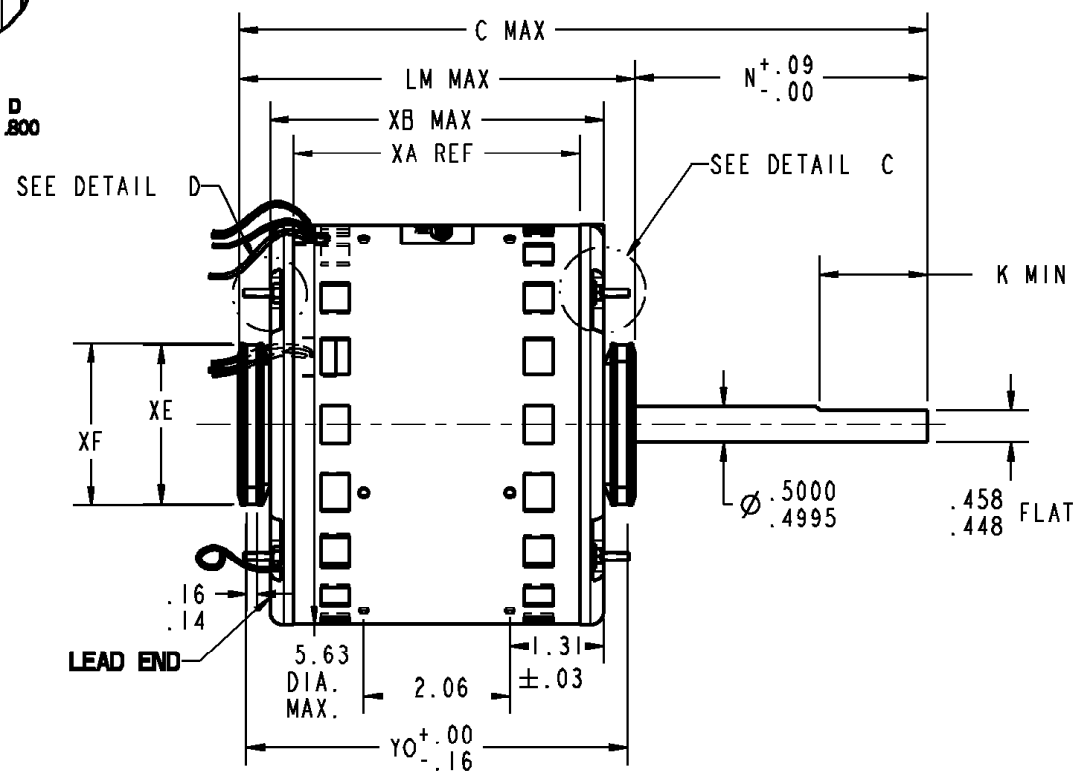
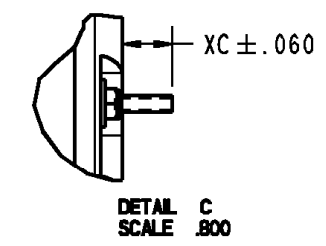
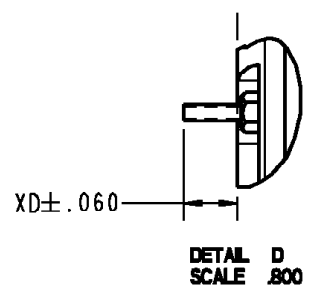
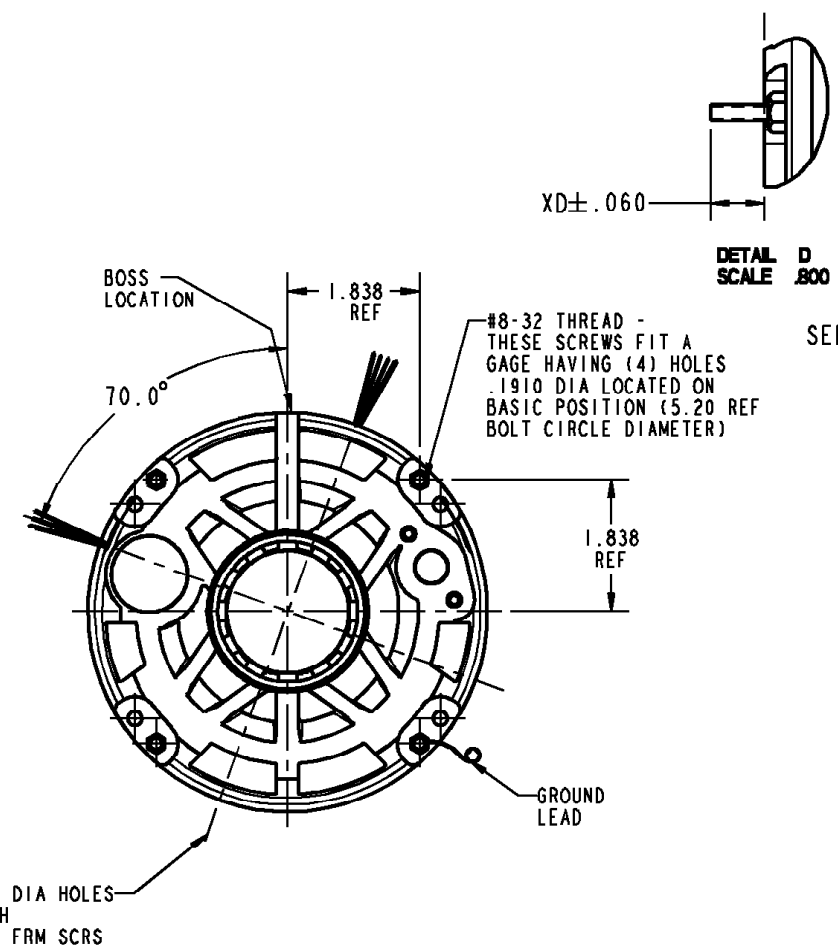


OBJECT: 5KCP39KGV804BS DATE: 08-Aug-12 14:17:24

VENTILATION SYSTEM		RBC PROPRIETARY AND CONFIDENTIAL INFORMATION This document is the property of REGAL BELOIT CORPORATION ("RBC") including its subsidiaries and divisions and contains proprietary information of RBC. This document is loaned on the express condition that neither it nor the information contained therein shall be disclosed to others without the express written consent of RBC, and that the information shall be used by the recipient only as approved expressly by RBC. This document shall be returned to RBC upon its request. This document may be subject to certain restrictions under U.S. export control laws and regulations.	REVISIONS			
SHELL VENTS	OPEN		REV.	DESCRIPTION	DATE	APPROVED
ENDSHIELD (OPP. LEAD END)	OPEN		1	MODIFIED PER IS:12-3779	08/07/12	LINDA
ENDSHIELD (LEAD END)	OPEN					



(4) .134/.130 DIA HOLES
90° APART WITH
1/4-8-18 THRD FRM SCRS

NOTE:
1. DIMENSIONS SHOWN ARE NOMINAL UNLESS OTHERWISE SPECIFIED.

	2.44	2.50	.75	1.25	5.390
	XE	XF	XC	XD	YO
10.64	5.00	4.00	N/A	N/A	5.59
C	N	K	XN	XK	LM
			XA	XB	

NO	CONNECTION	COLOR	ENT TYPE	ENT LOC (WINDING LE)	GAGE	MATERIAL	WALL THK	LENGTH	TERMINATION
1	COMMON LEAD	WHITE	SHELL NOTCH	9:40	18	THERMOPLASTIC	4/64	38.00	.25 FQC
2	REV LEAD	YELLOW	SHELL NOTCH	12:40	18	VULKENE	2/64	4.00	MALE REVERSING PLUG
3	CAPACITOR LEAD	BROWN	SHELL NOTCH	9:40	18	THERMOPLASTIC	4/64	38.00	.25 FQC
4	REV LEAD	ORANGE	SHELL NOTCH	12:40	18	VULKENE	2/64	4.00	MALE REVERSING PLUG
5	CAPACITOR LEAD	BROWN	SHELL NOTCH	9:40	18	THERMOPLASTIC	4/64	38.00	.25 FQC
6	REV LEAD	BROWN	SHELL NOTCH	12:40	18	VULKENE	4/64	4.00	FEMALE REVERSING PLUG
7	HIGH SPEED LEAD	BLACK	SHELL NOTCH	9:40	18	THERMOPLASTIC	4/64	38.00	.25 FQC
8	NED HIGH SPEED LEAD	BLUE	SHELL NOTCH	9:40	18	THERMOPLASTIC	4/64	38.00	.25 FQC
9	NED LOW SPEED LEAD	YELLOW	SHELL NOTCH	9:40	18	THERMOPLASTIC	4/64	38.00	.25 FQC
10	LOW SPEED LEAD	RED	SHELL NOTCH	9:40	18	THERMOPLASTIC	4/64	38.00	.25 FQC
11	REV LEAD	PURPLE	SHELL NOTCH	12:40	18	VULKENE	2/64	4.00	FEMALE REVERSING PLUG
12	GROUND	GRN-YEL	CLAMPSCREW	4:30	18	THERMOPLASTIC	2/64	6.00	#10 EYELET

NAMEPLATE DATA	
MODEL	5KCP39KGV804BS
CUST P/N	STOCK NO 3463
HP	1/2
RPM	1075
VOLTS	115
HZ	60
SPEEDS	4
AMPS	5.70
CAP REQD-1	15.00µfd/370Volts
CAP REQD-2	N/R
CONN. DRW.	NONE
ROTATION	CCW/CW (VIEWED FROM LE)

REGAL-BELOIT CORPORATION
FORTWAYNE, INDIANA

MOTOR OUTLINE
(CUSTOMER NAME: REGAL BELOIT)

SIZE B DRAWING **5KCP39KGV804BS** REV 1

SCALE: NO ISSUED: 01/19/09 SHEET 1 of 1

